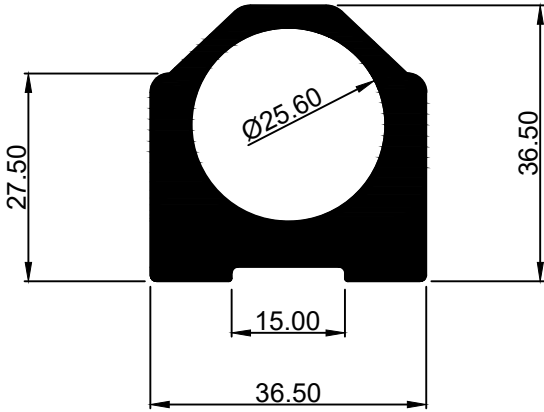


SHREENATHJI EXTRUSION

SEC. NO:-30328

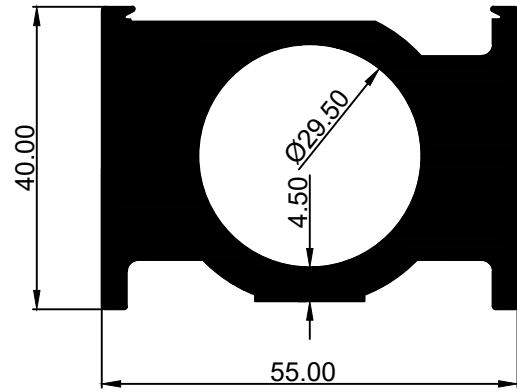
SE-135



WEIGHT:- 6.473 kg/12'

SEC. NO:-30207

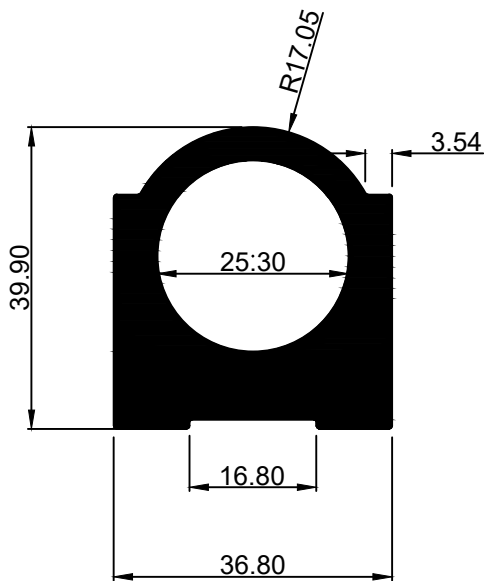
AH-353



WEIGHT:- 11.551 kg/12'

SEC. NO:-30208

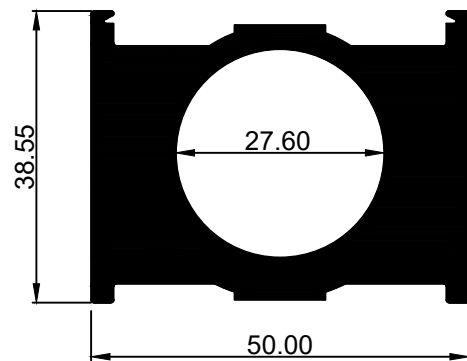
AH-354



WEIGHT:- 7.979 kg/12'

SEC. NO:-30209

AH-355

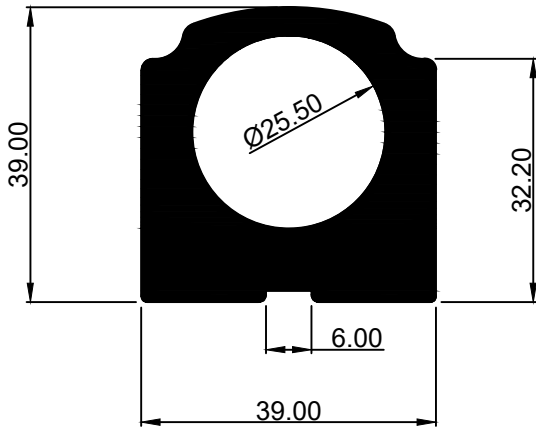


WEIGHT:- 10.694 kg/12'

SHREENATHJI EXTRUSION

SEC. NO:-30478

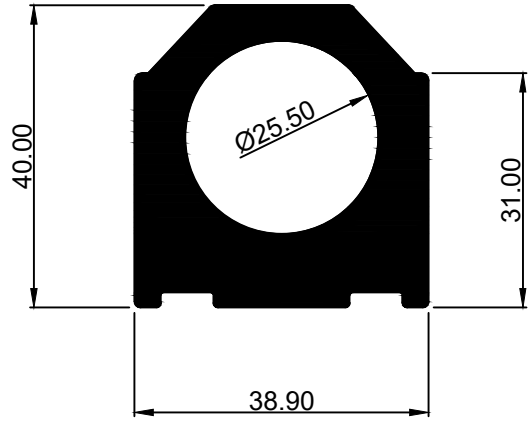
8270



WEIGHT:- 8.940 kg/12'

SEC. NO:-30479

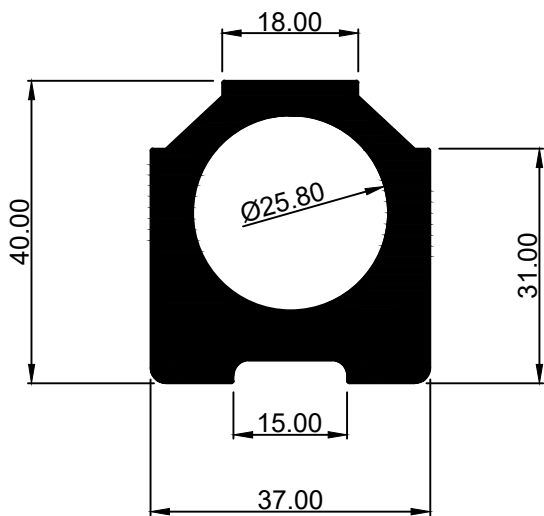
8269



WEIGHT:- 9.000 kg/12'

SEC. NO:-30480

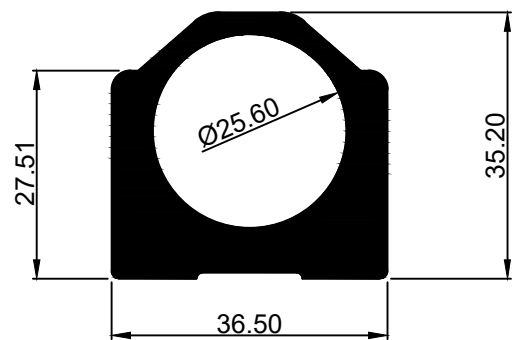
8267



WEIGHT:- 7.850 kg/12'

SEC. NO:-30561

SE-159

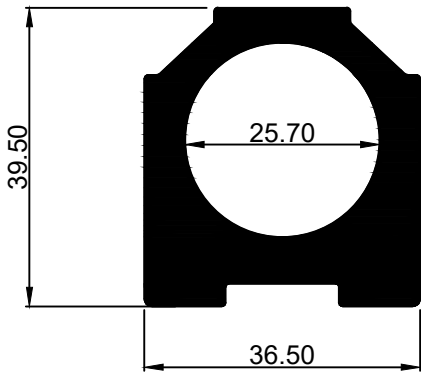


WEIGHT:- 6.258 kg/12'

SHREENATHJI EXTRUSION

SEC. NO:-30559

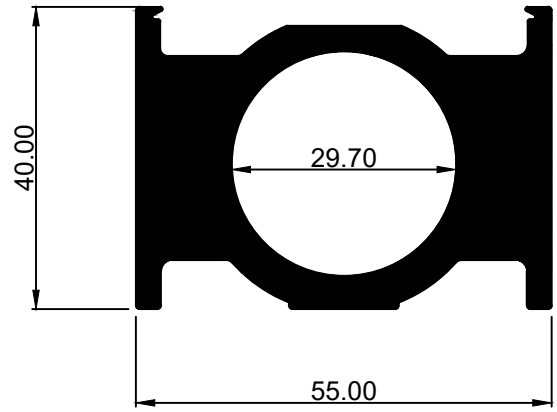
SE-183



WEIGHT:- 2.062 kg/Mtr.

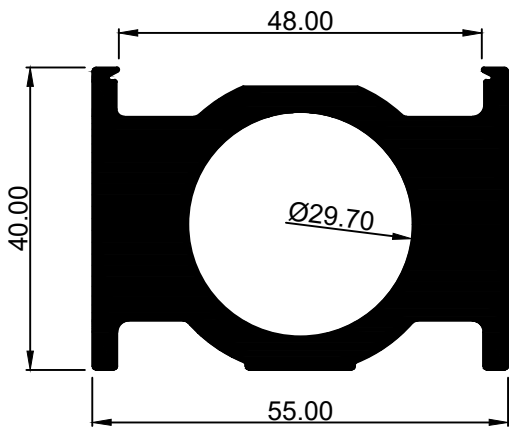
SEC. NO:-30560

SE-182



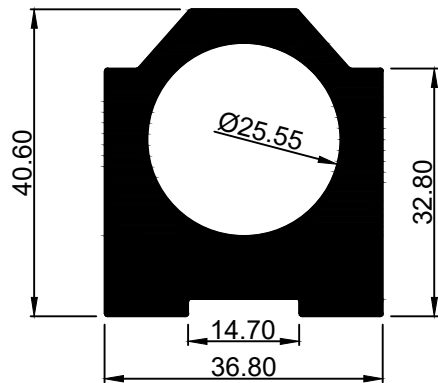
WEIGHT:- 3.000 kg/Mtr.

SECTION No.:- SE-182



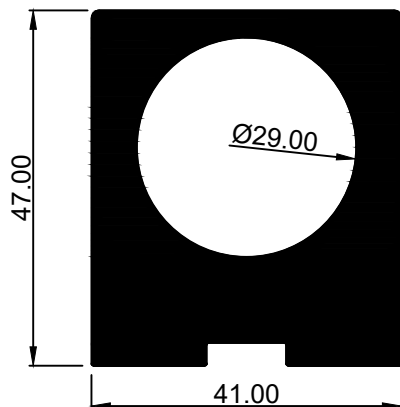
2.999 KG/Mtr.

SECTION No.:- SE-243



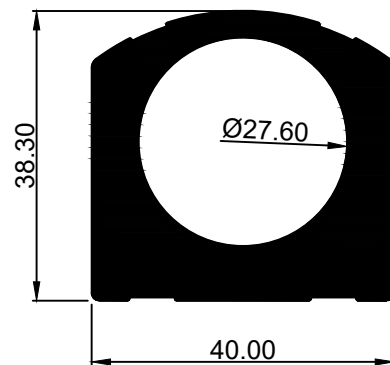
WEIGHT:- 8.132 Kg/12'

SECTION No.:- SE-259



WEIGHT:- 3.333 Kg/Mtr.

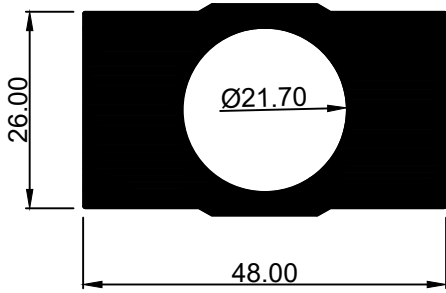
SECTION No.:- SE-306



8.271 KG/12'

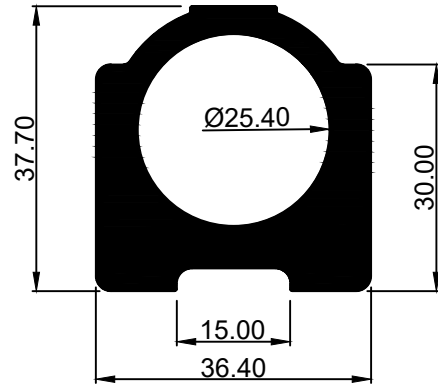
# SHREENATHJI EXTRUSION

SECTION No.:- SE-333



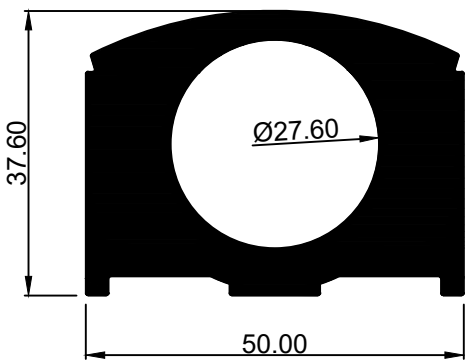
2.4558 KG/Mtr.

SECTION No.:- SE-340



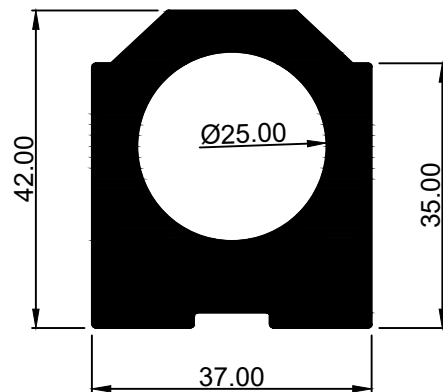
6.876 KG/12'

SECTION No.:- SE-361



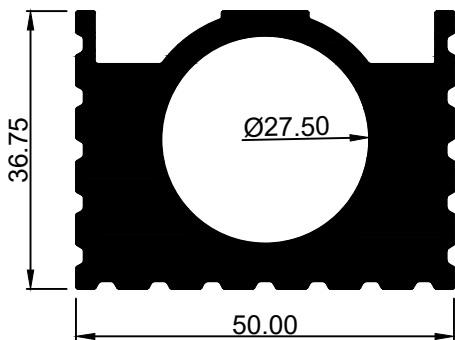
2.972 KG/Mtr.

SECTION No.:- SE-421



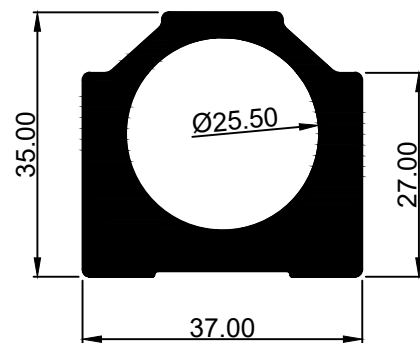
9.441 KG/12'

SECTION No.:- SE-436



2.770 KG/Mtr.

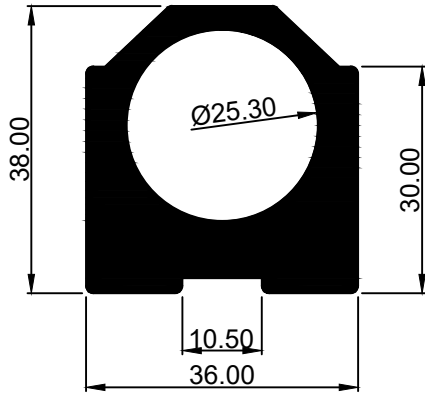
SECTION No.:- SE-440



1.743 KG/Mtr.

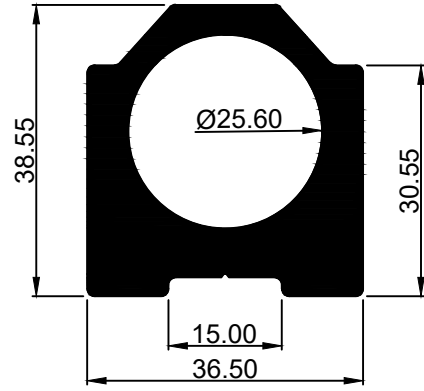
# SHREENATHJI EXTRUSION

SECTION No.:--SE-535



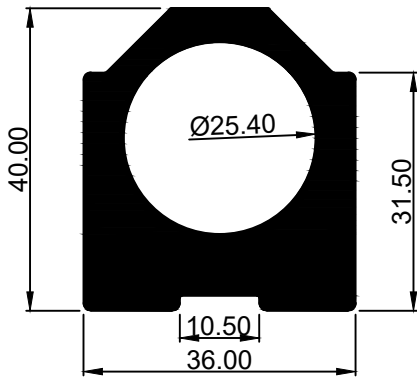
1.984 Kg/Mtr.

SECTION No.:-- SE-555



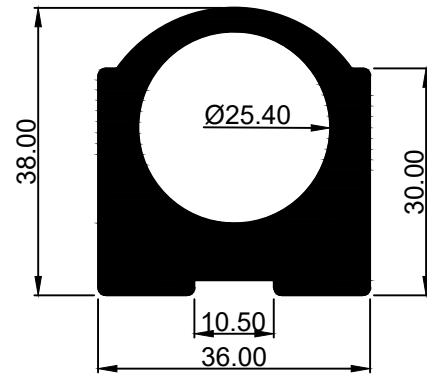
7.231 Kg/12'

SECTION No.:--SE-601



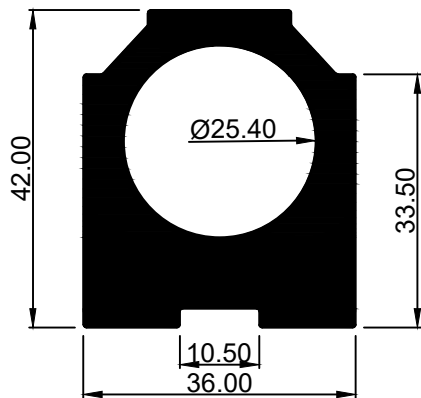
7.785 Kg/12'

SECTION No.:--SE-602



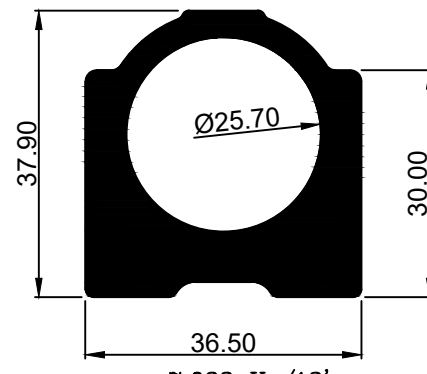
7.162 Kg/12'

SECTION No.:--SE-603



8.630 Kg/12'

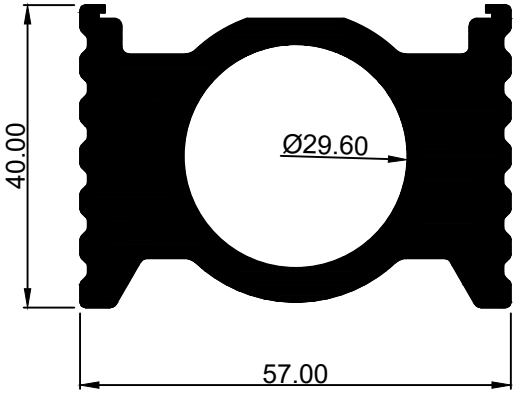
SECTION No.:--SE-604



7.033 Kg/12'

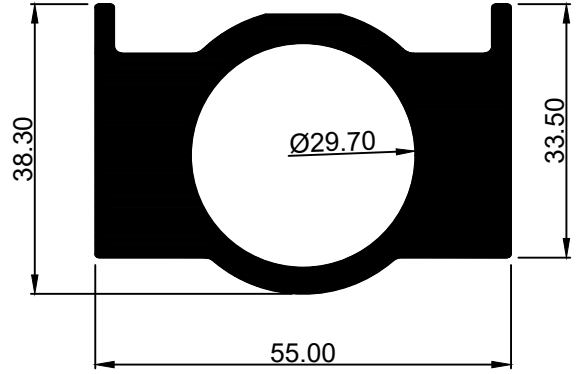
# SHREENATHJI EXTRUSION

SECTION No.:—SE-689



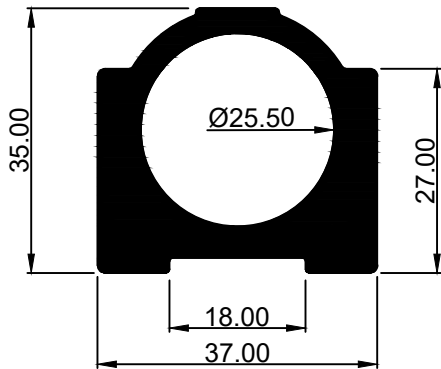
11.632 Kg/12'

SECTION No.:—SE-812



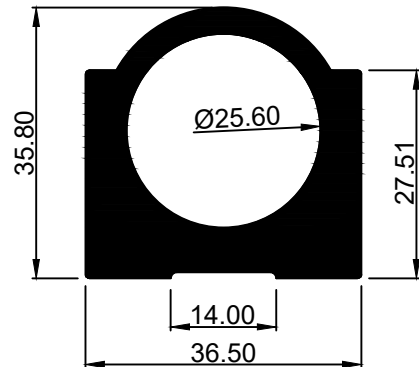
2.7335 Kg/Mtr.

SECTION No.:—SE-813



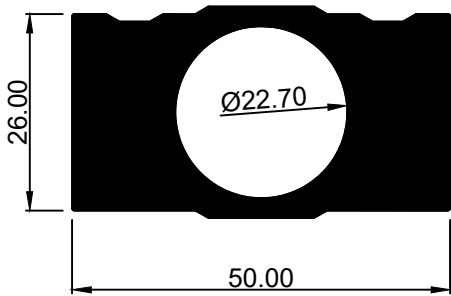
1.6586 Kg/Mtr.

SECTION No.:— SE-869



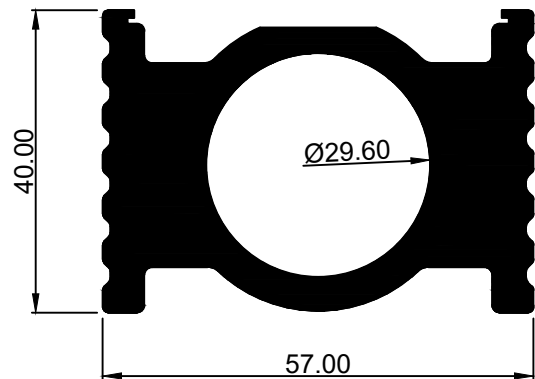
6.3777 KG/12'

SECTION No.:—SE-904



9.0443 KG/12'

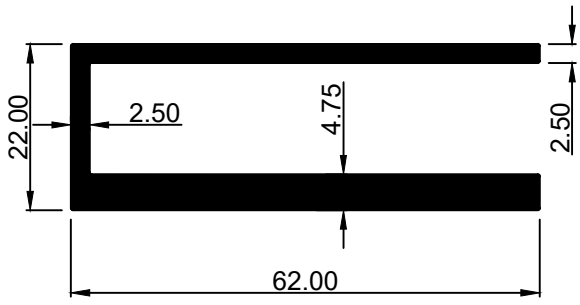
SECTION No.:—SE-928



11.6190 Kg/12'

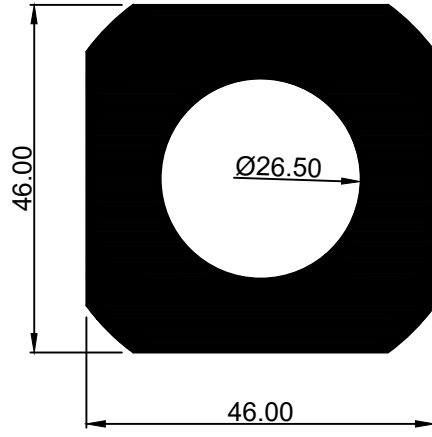
# SHREENATHJI EXTRUSION

SECTION No.:- SE-1020



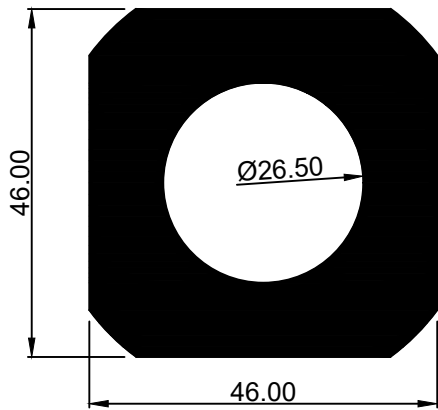
4.8055 Kg/12'

SECTION No.:- SE-1055



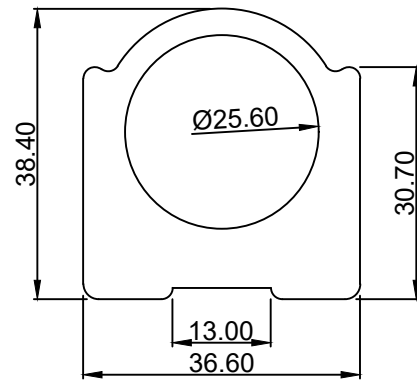
14.7848 Kg/12'

SECTION No.:- SE-1071



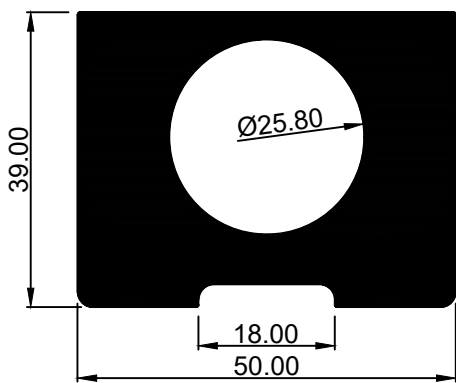
14.7848 Kg/12'

SECTION No.:- SE-1136



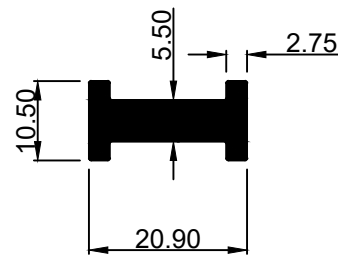
7.2573 Kg/12'

SECTION No.:- SE-1146



13.5692 Kg/12'

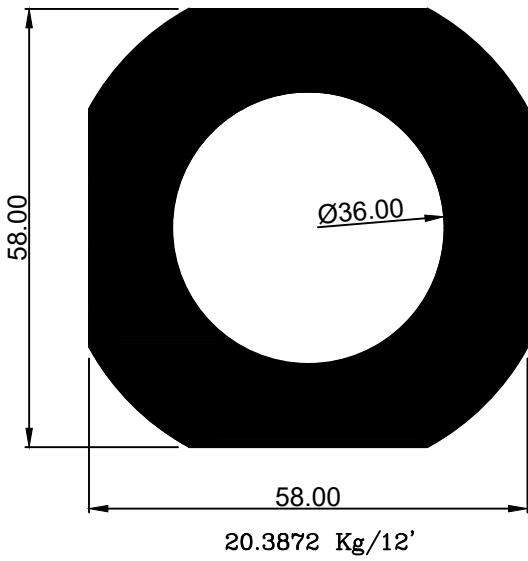
SECTION No.:- SE-1169



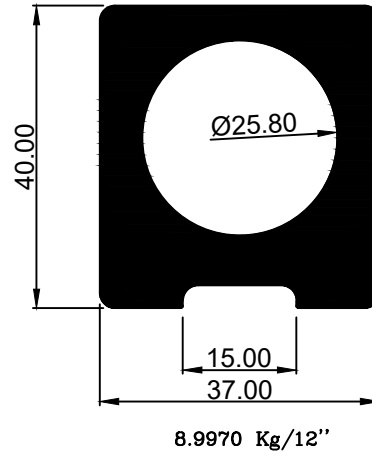
1.4069 Kg/12'

SHREENATHJI EXTRUSION

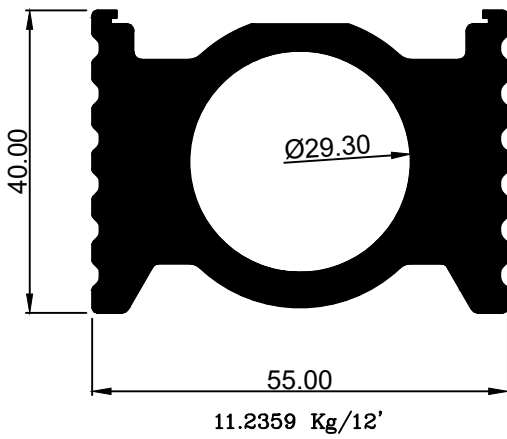
SECTION No.:- SE-1152



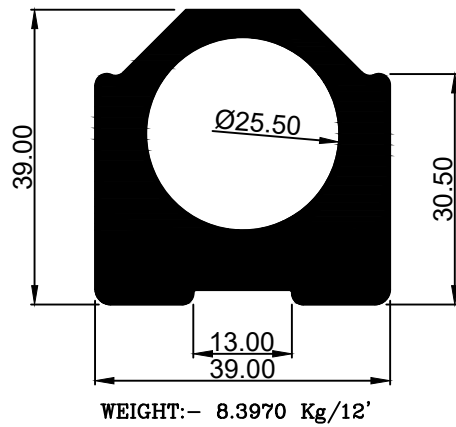
SECTION No.:- SE-1211



SECTION No.:-SE-1304



SECTION NO:- SE-1545



SECTION NO:- SE-1626

