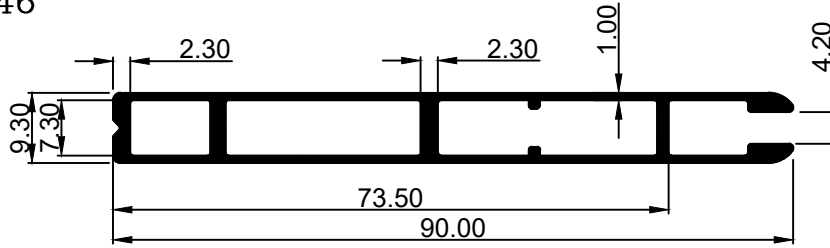


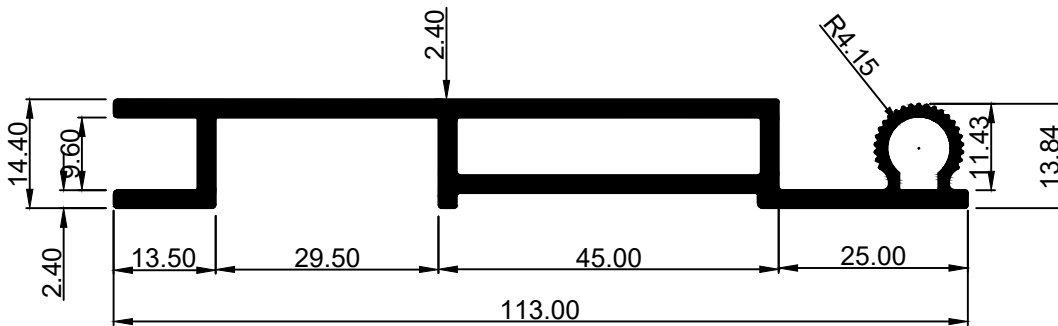
SHREENATHJI EXTRUSION

SEC. NO:-14946



WEIGHT:- 2.500 kg/12'

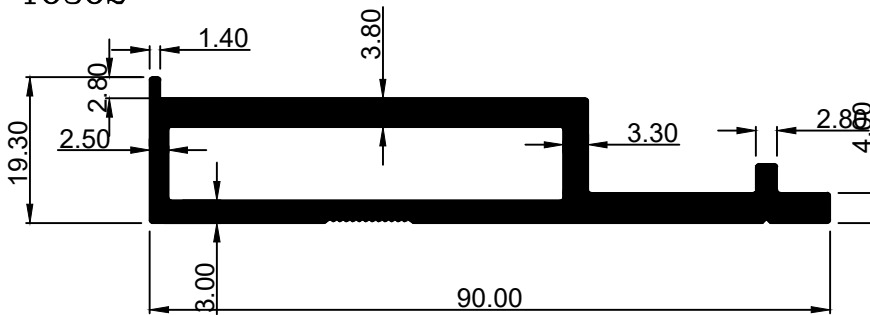
SEC. NO:-16144



WEIGHT:- 5.172 kg/12'

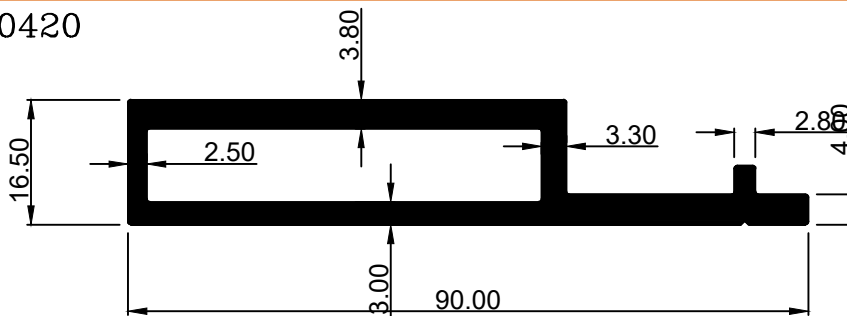
SEC. NO:-16362

AH-130



WEIGHT:- 5.820 kg/12'

SEC. NO:-30420

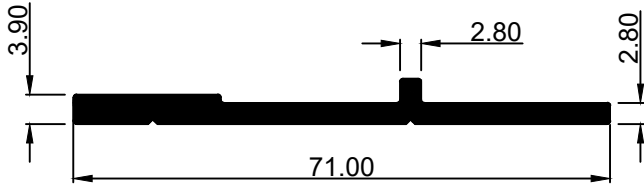


WEIGHT:- 5.820 kg/12'

SHREENATHJI EXTRUSION

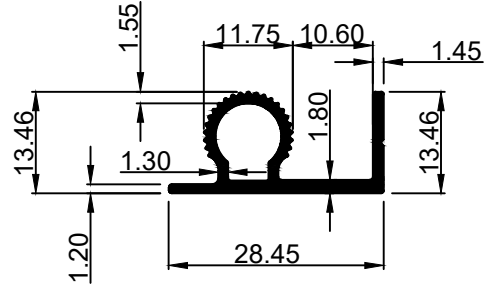
SEC. NO:-16363

AH-129



WEIGHT:- 2.256 kg/12'

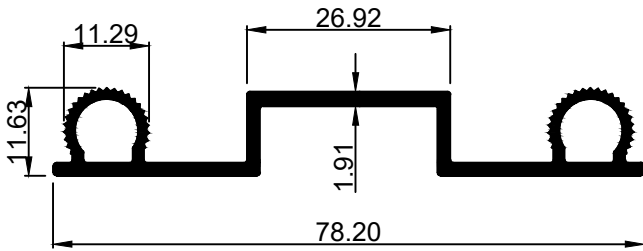
SEC. NO:-30067



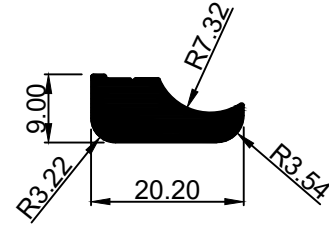
WEIGHT:- 1.000 kg/12'

SECTION No.:- SE-1100 (12956)

SECTION No.:- SE-1145



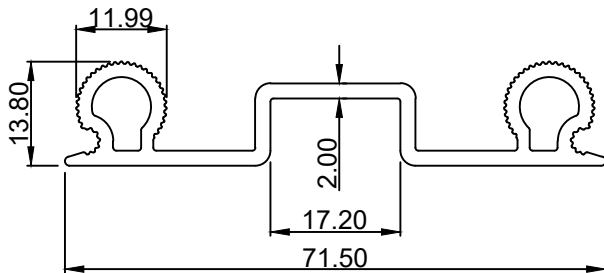
2.3029 Kg/12'



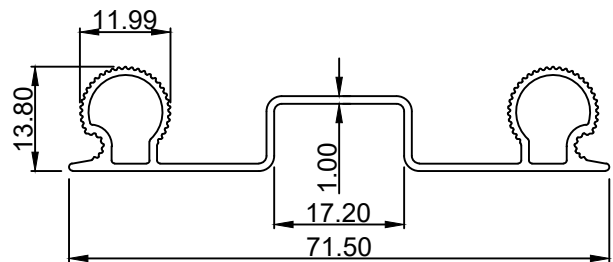
1.2565 Kg/12'

SECTION No.:- SE-1177

SECTION No.:- SE-1190



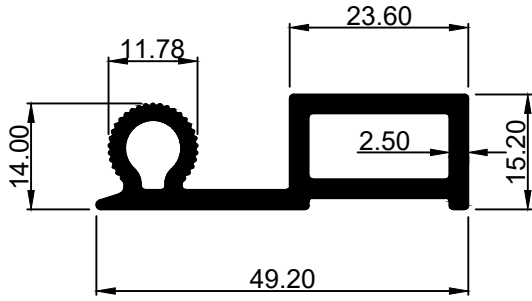
2.7748 Kg/12'



1.5311 Kg/12'

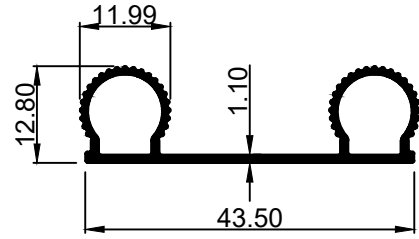
SHREENATHJI EXTRUSION

SECTION No.:- SE-1279



3.3378 Kg/12"

SECTION No.:-SE-1327



1.0343 Kg/12'

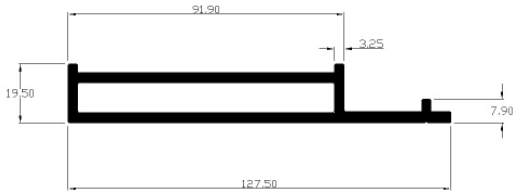
Shreenathji

Extrusion

30482

SEC. NO:-30482

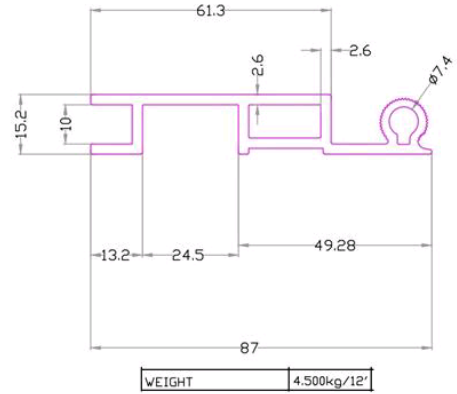
8193



WEIGHT:- 8.440 kg/12'

EMBRODARY

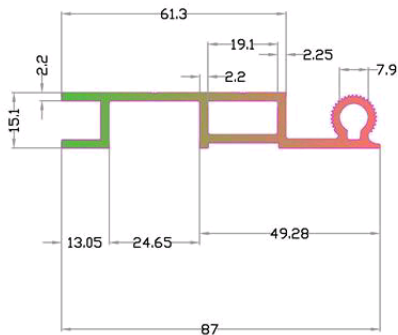
8384



EMBRODARY

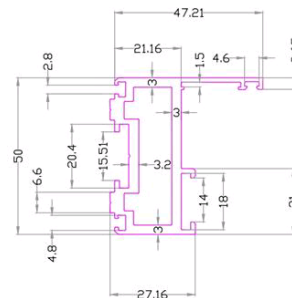
8529

SEC NO : 8529



EMBRODARY

8800



EMBRODARY