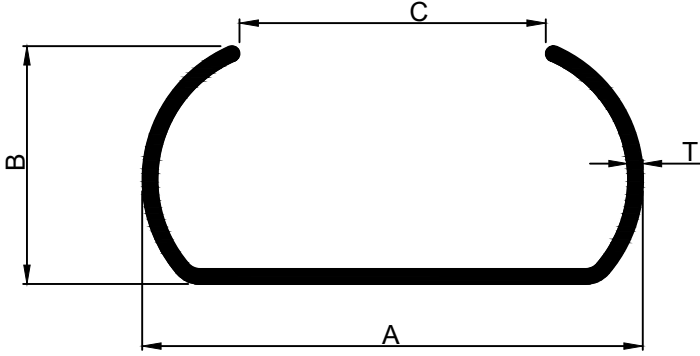
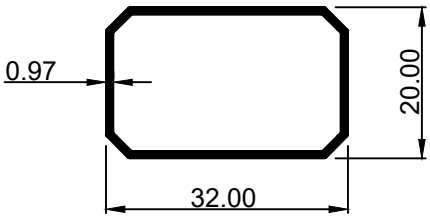


LADDER SECTION



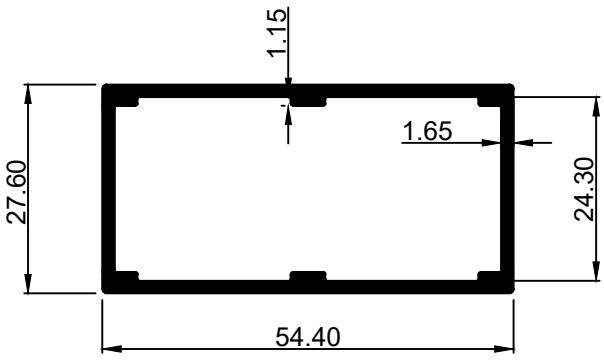
SEC.No.	A	B	C	T	Wt.(kg/12')
13176 (8025)	65.00	30.00	44.00	2.75	3.150-3.350

SEC. NO:-13131



WEIGHT:- 0.900-1.000kg/12'

SEC. NO:-13156

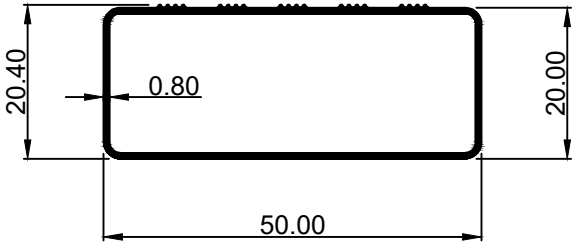


WEIGHT:-2.800 kg/12'

SHREENATHJI EXTRUSION

SEC. NO:-30379

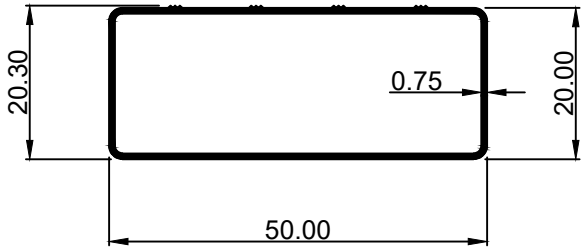
8039



WEIGHT:- 1.100 kg/12'

SEC. NO:-30380

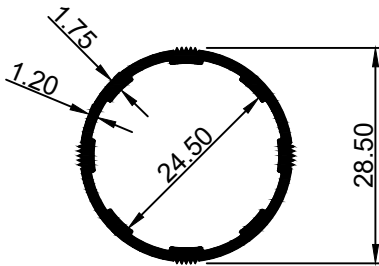
8038



WEIGHT:- 1.020 kg/12'

SEC. NO:-30436

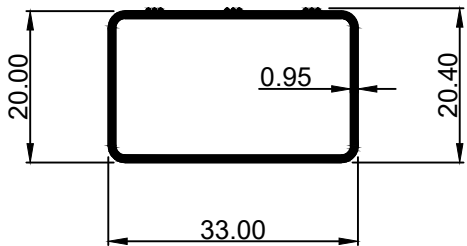
8087



WEIGHT:- 1.180 kg/12'

SEC. NO:-30330

8024



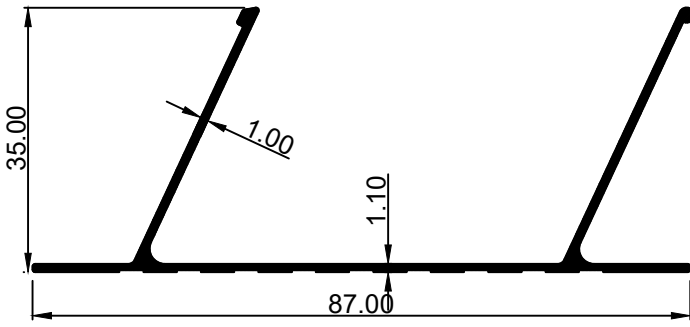
WEIGHT:- 0.948 kg/12'

SHREENATHJI EXTRUSION

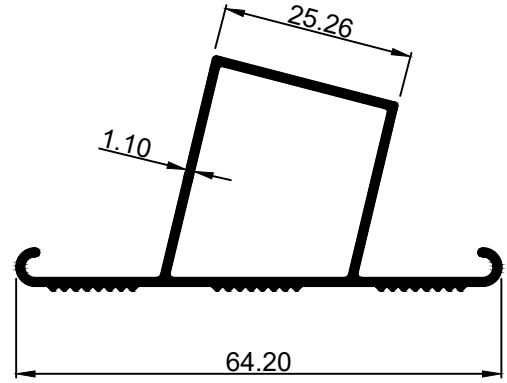
SEC. NO:-30376

8037

SECTION No.:- SE-237



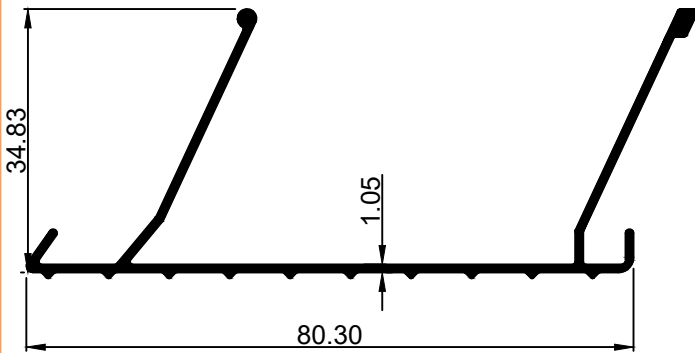
WEIGHT:- 1.700 kg/12'



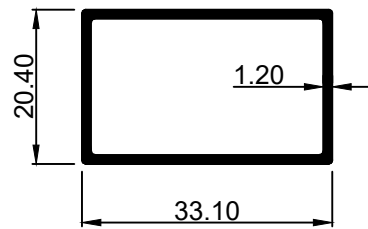
WEIGHT:- 1.760 Kg/12'

SECTION No.:- SE-238

SECTION No.:- SE-239



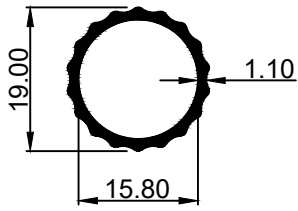
WEIGHT:- 1.867 Kg/12'



WEIGHT:- 1.212 Kg/12'

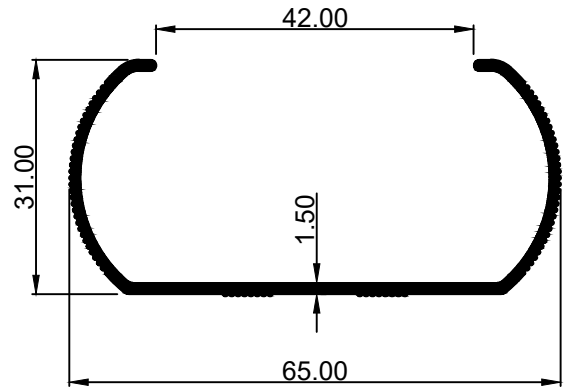
SHREENATHJI EXTRUSION

SECTION No.:- SE-240



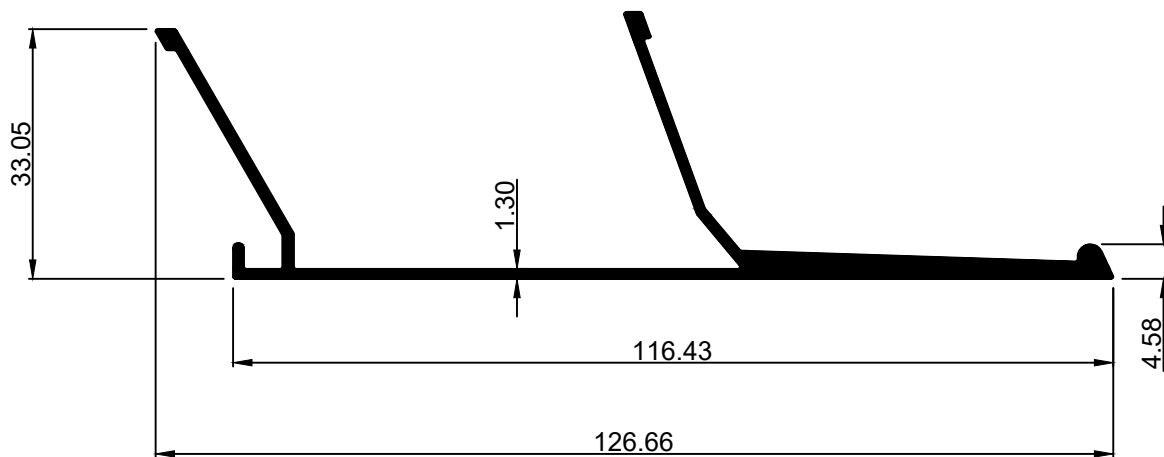
WEIGHT:- 0.700 Kg/12'

WEIGHT:- 1.800 Kg/12'



SECTION No.:- SE-241

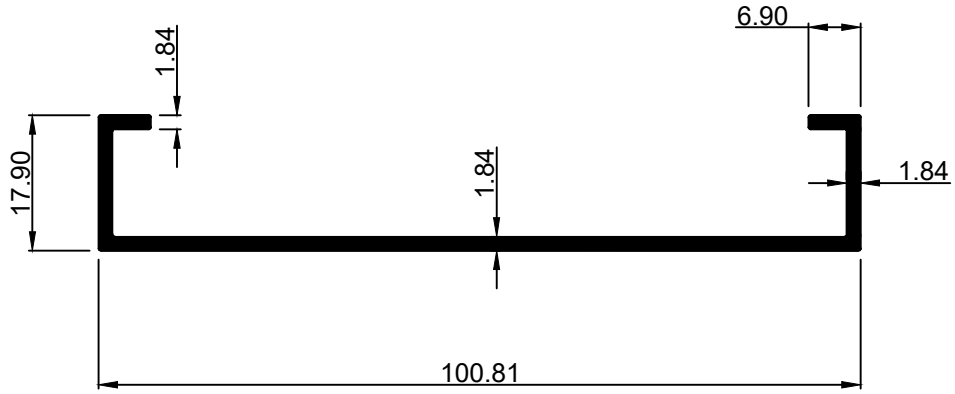
SECTION No.:- SE-445



3.450 KG/12'

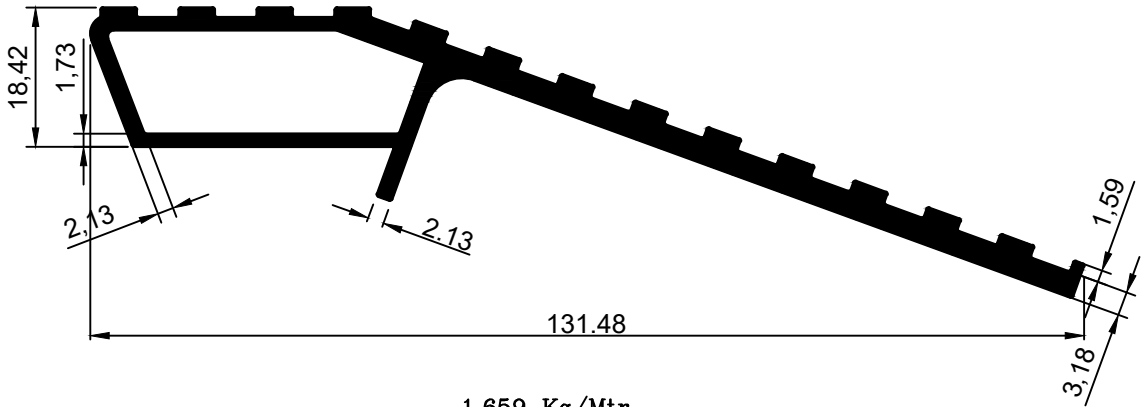
SHREENATHJI EXTRUSION

SECTION No.:—SE-556



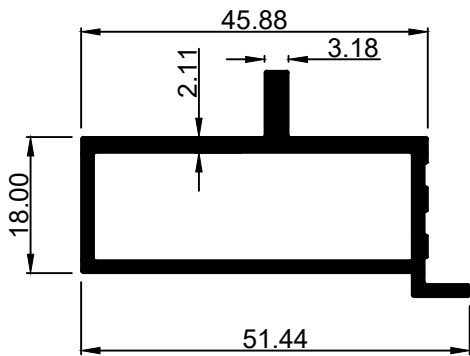
0.710 Kg/Mtr.

SECTION No.:—SE-557



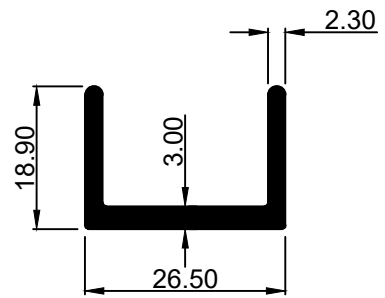
1.659 Kg/Mtr.

SECTION No.:—SE-558



0.726 Kg/Mtr.

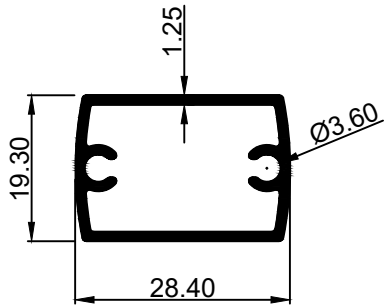
SECTION No.:—SE-632



1.497 Kg/12'

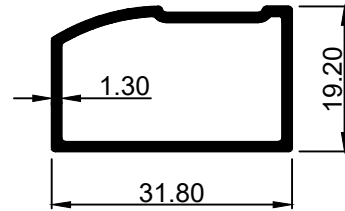
SHREENATHJI EXTRUSION

SECTION No.: -SE-633



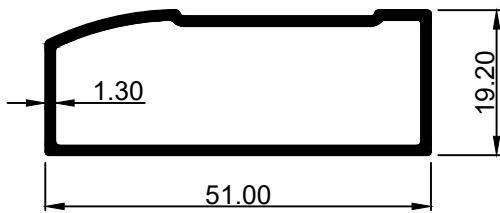
1.300 Kg/12'

SECTION No.: -SE-634



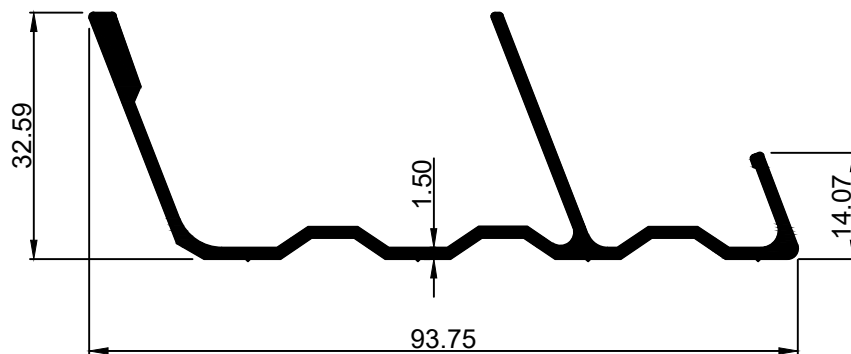
1.211 Kg/12'

SECTION No.: -SE-635



1.703 Kg/12'

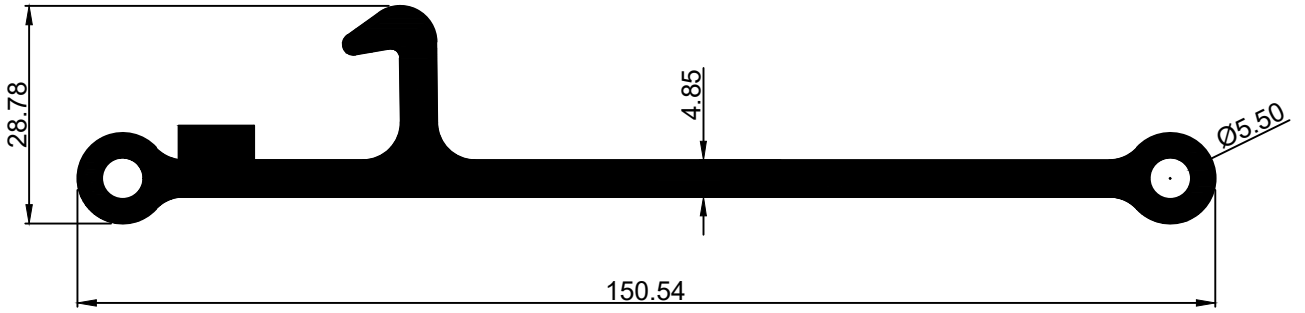
SECTION No.: -SE-636



2.7233 Kg/12'

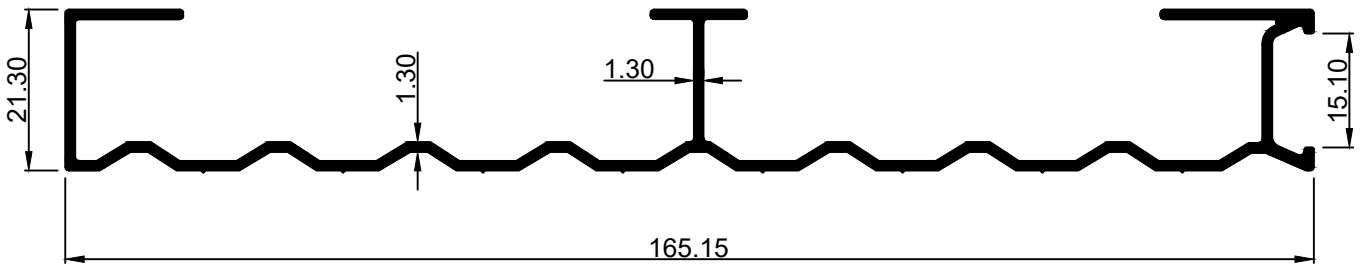
SHREENATHJI EXTRUSION

SECTION No.: -SE-637



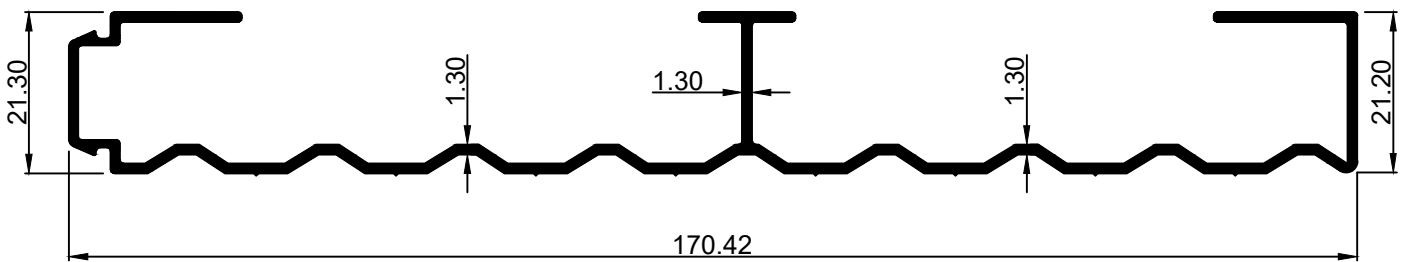
9.668 Kg/12'

SECTION No.: -SE-638



3.6652 Kg/12'

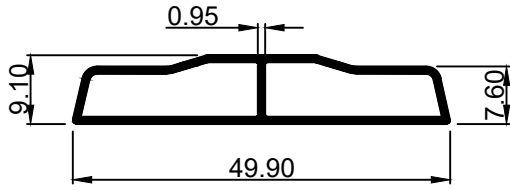
SECTION No.: -SE-639



3.7095 Kg/12'

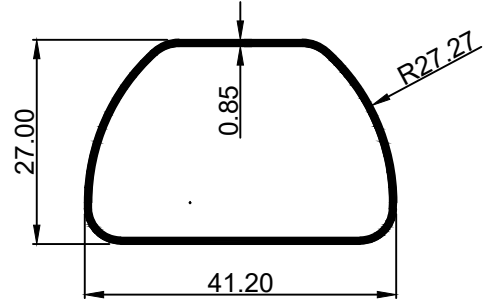
SHREENATHJI EXTRUSION

SECTION No.:--SE-644



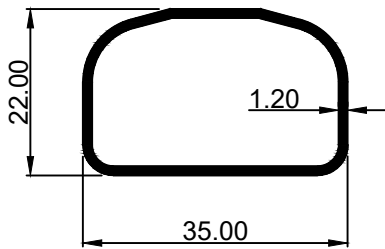
1.082 Kg/12'

SECTION No.:--SE-645



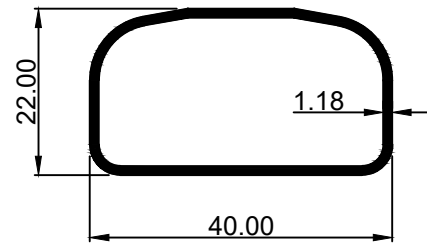
0.964 Kg/12'

SECTION No.:--SE-647



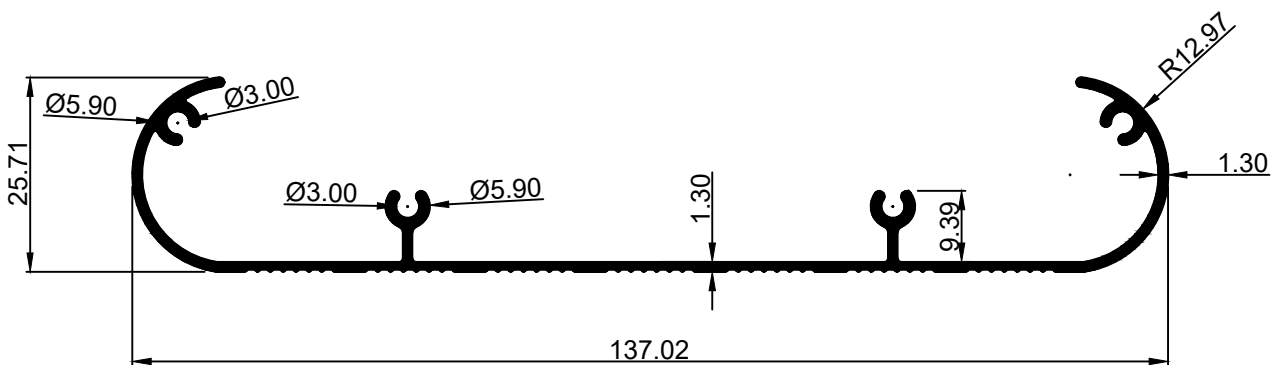
1.157 Kg/12'

SECTION No.:--SE-648



1.258 Kg/12'

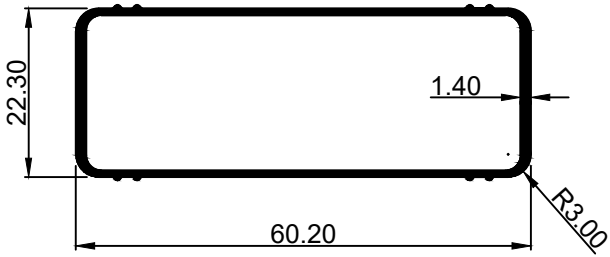
SECTION No.:--SE-646



2.910 Kg/12'

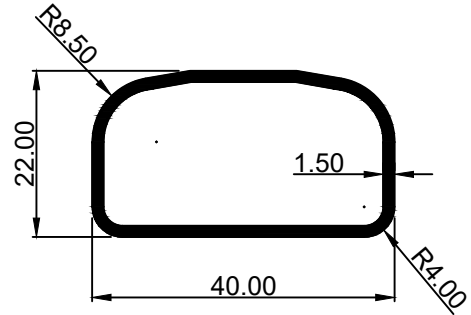
SHREENATHJI EXTRUSION

SECTION No.:--SE-649



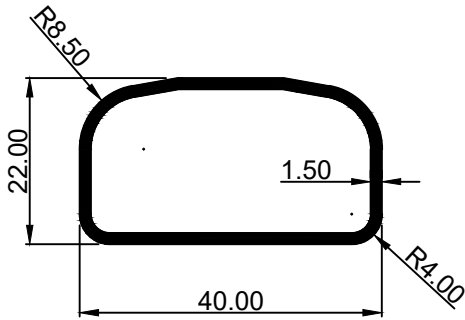
1.621 Kg/12'

SECTION No.:--SE-650



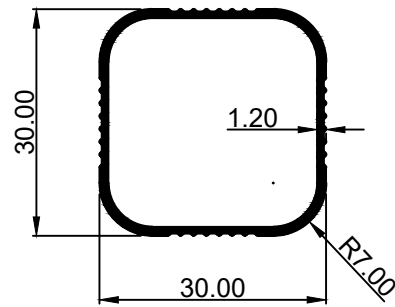
1.584 Kg/12'

SECTION No.:--SE-651



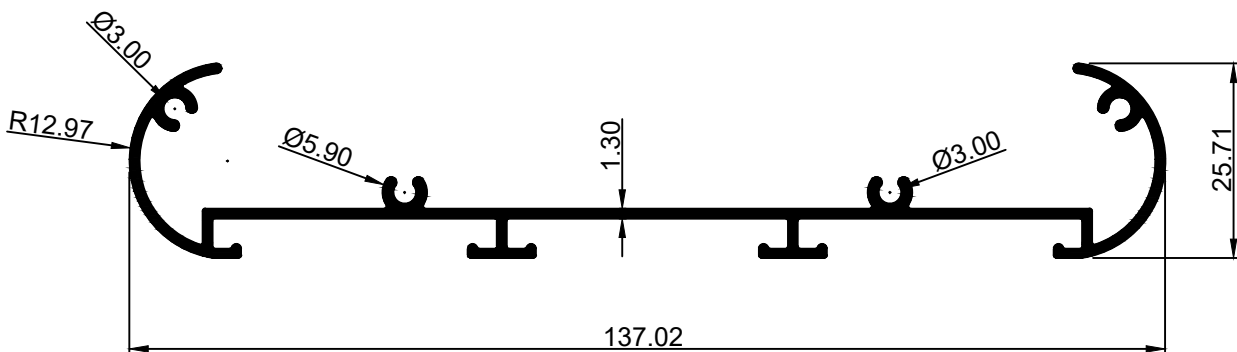
1.584 Kg/12'

SECTION No.:--SE-654



1.137 Kg/12'

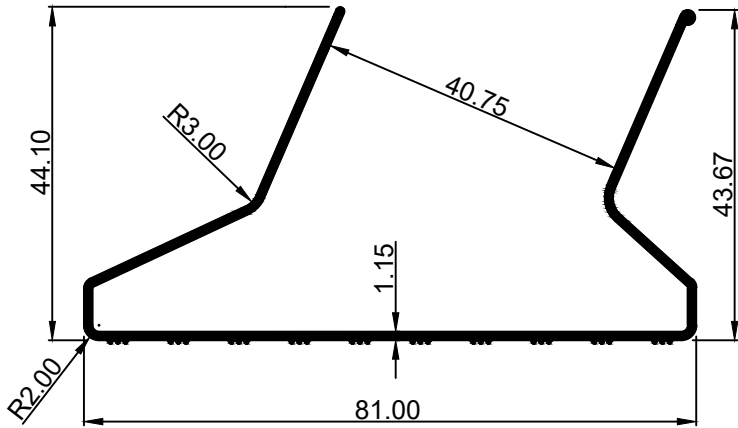
SECTION No.:--SE-652



3.500 Kg/12'

SHREENATHJI EXTRUSION

SECTION No.:—SE-653



2.194 Kg/12'