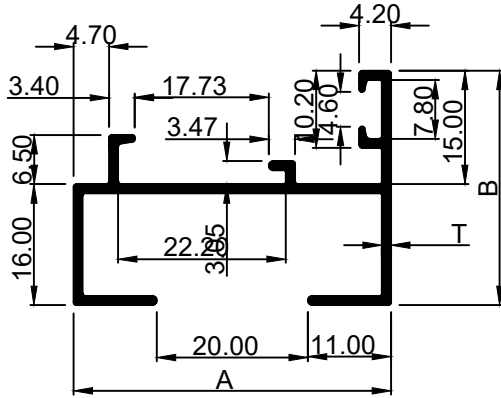


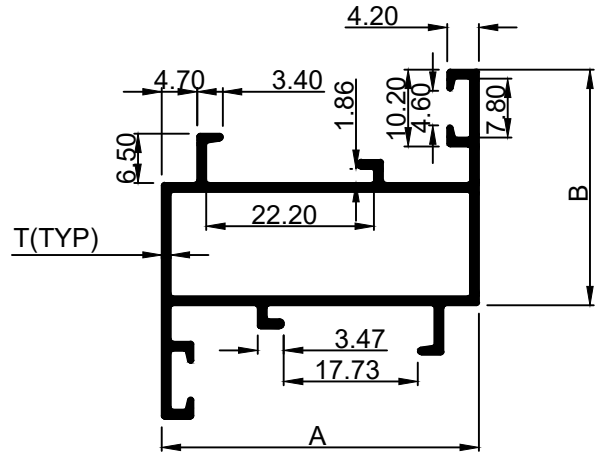
SHREENATHJI EXTRUSION

SEC. NO:- 12861



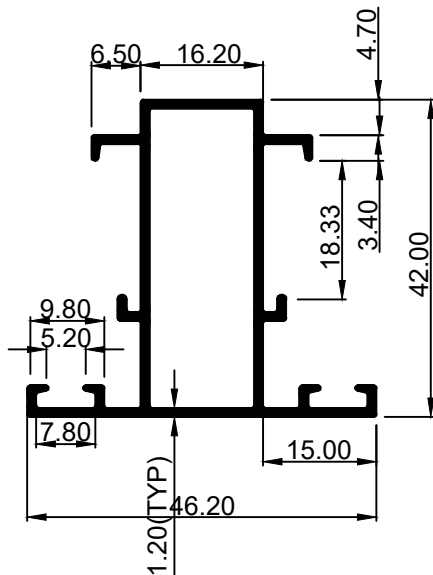
SEC.No.	A	B	T	Wt.(kg/12')
13221	42.00	31.00	1.20	1.500-1.800
13222	42.00	31.00	1.50	1.800-2.100

SEC. NO:- 12866



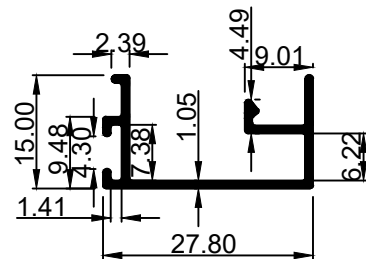
SEC.No.	A	B	T	Wt.(kg/12')
13241	42.00	31.20	1.20	2.200-2.400
13242	42.00	31.20	1.50	2.650-2.950

SEC. NO:- 12871



SEC.No.	A	B	T	Wt.(kg/12')
13261	46.20	42.00	1.20	2.190-2.390
13262	46.20	42.00	1.50	2.650-2.950

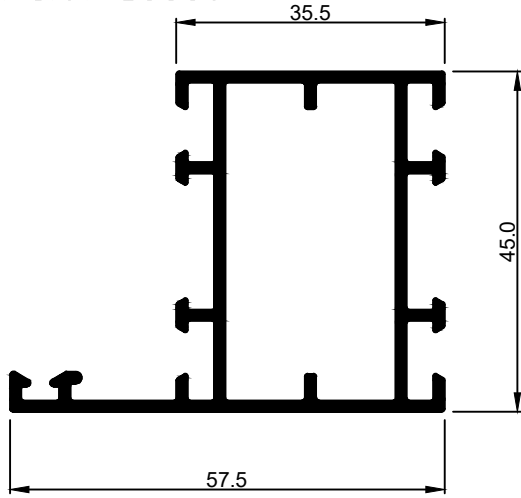
SEC. NO:- 12876



SEC.No.	A	B	T	Wt.(kg/12')
13281	27.80	15.00	1.05	0.770-0.870
13282	27.80	15.00	1.50	1.000-1.200

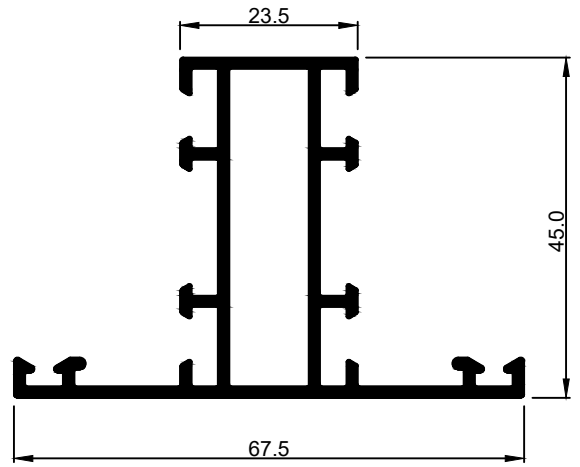
SHREENATHJI EXTRUSION

SEC. NO:-13336



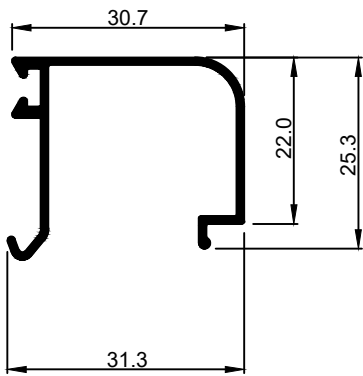
WEIGHT:- 3.400-3.700 kg/12'

SEC. NO:-13341



WEIGHT:- 3.400-3.700 kg/12'

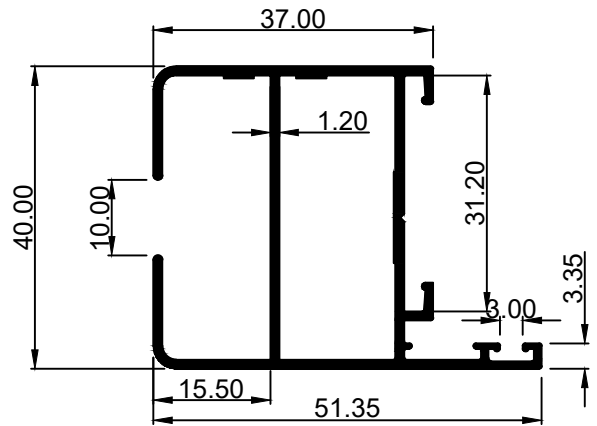
SEC. NO:-13351



WEIGHT:- 0.850-1.000 kg/12'

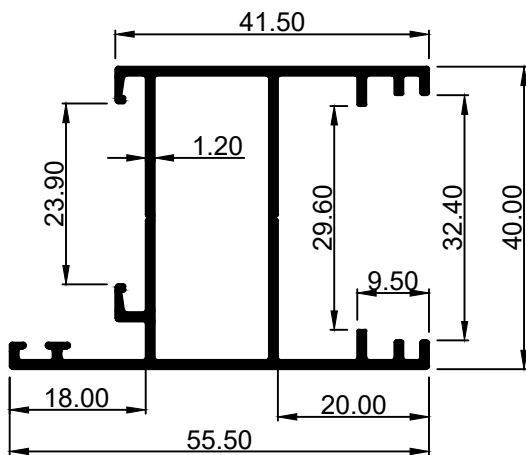
SEC. NO:-14686

BALAJI-03



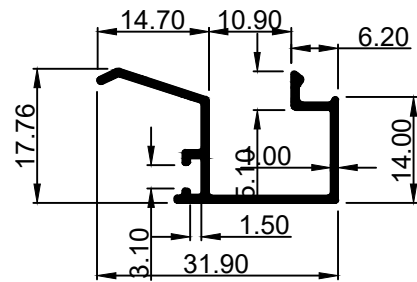
WEIGHT:- 2.500 kg/12'

SEC. NO:-15306



WEIGHT:- 2.464 kg/12'

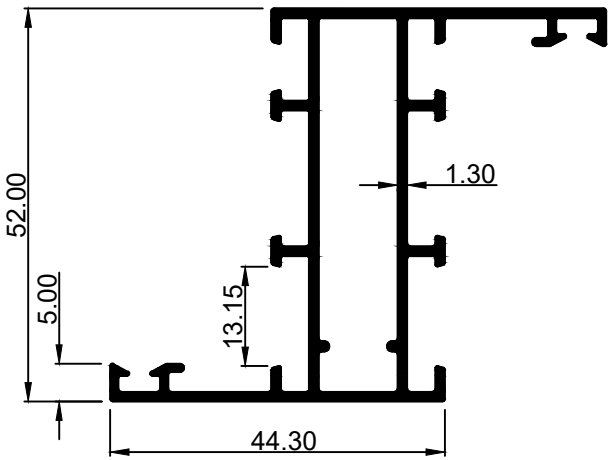
SEC. NO:-16131



WEIGHT:- 0.756 kg/12'

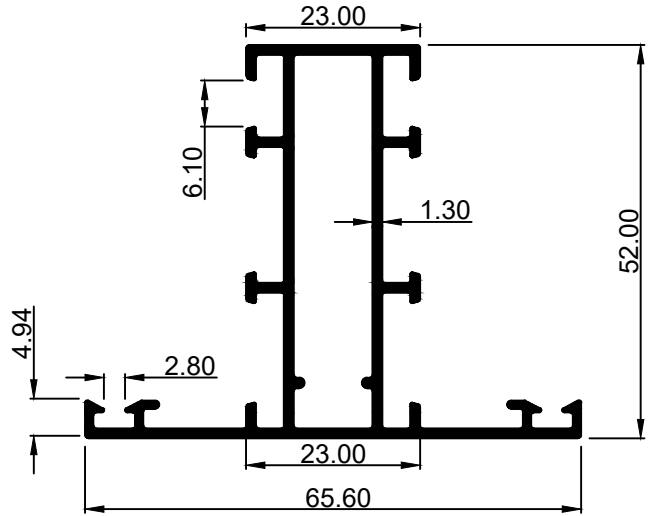
SHREENATHJI EXTRUSION

SEC. NO:-15331



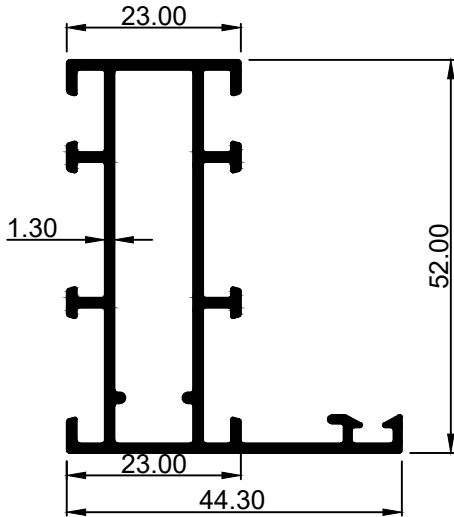
WEIGHT:- 3.252 kg/12'

SEC. NO:-15336



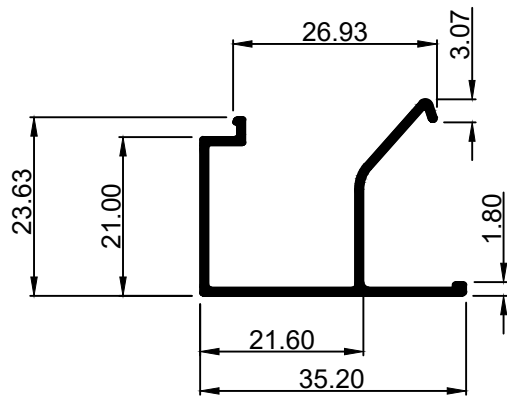
WEIGHT:- 3.252 kg/12'

SEC. NO:-15341



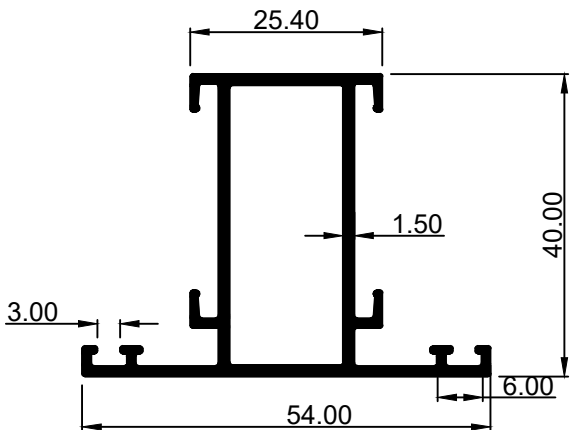
WEIGHT:- 2.856 kg/12'

SEC. NO:-15346



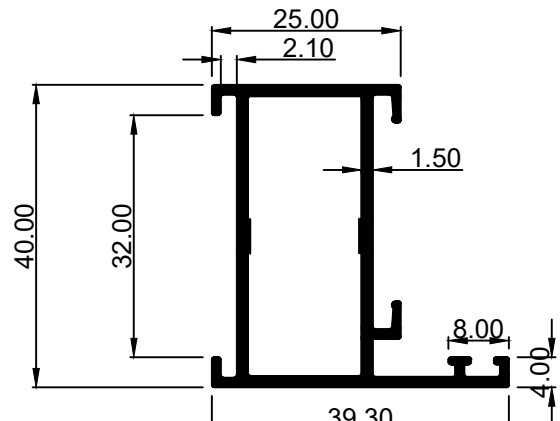
WEIGHT:- 1.026 kg/12'

SEC. NO:-16129



WEIGHT:- 2.654 kg/12'

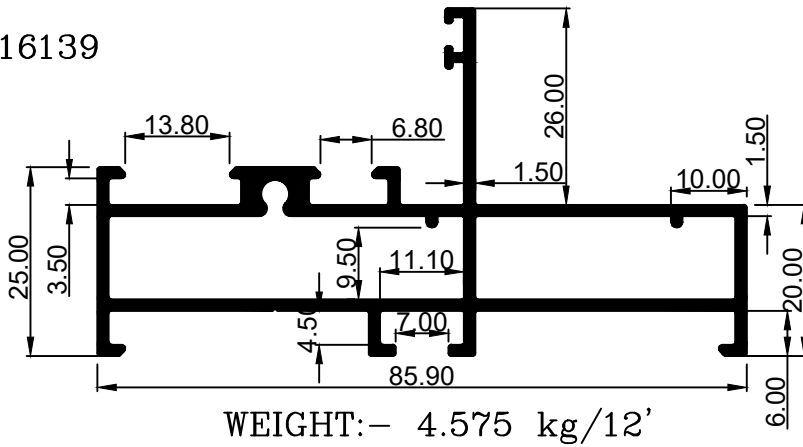
SEC. NO:-16130



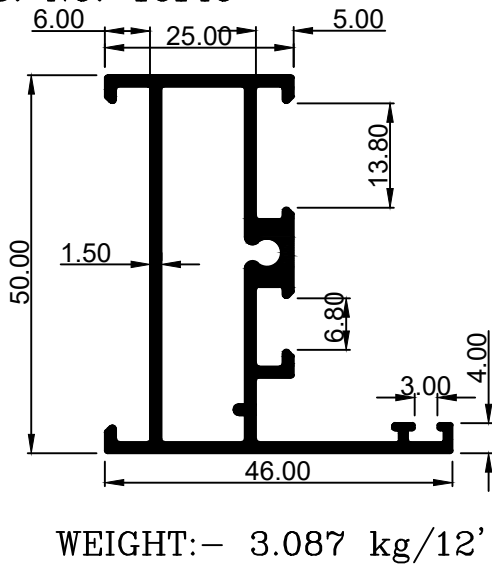
WEIGHT:- 2.318 kg/12'

SHREENATHJI EXTRUSION

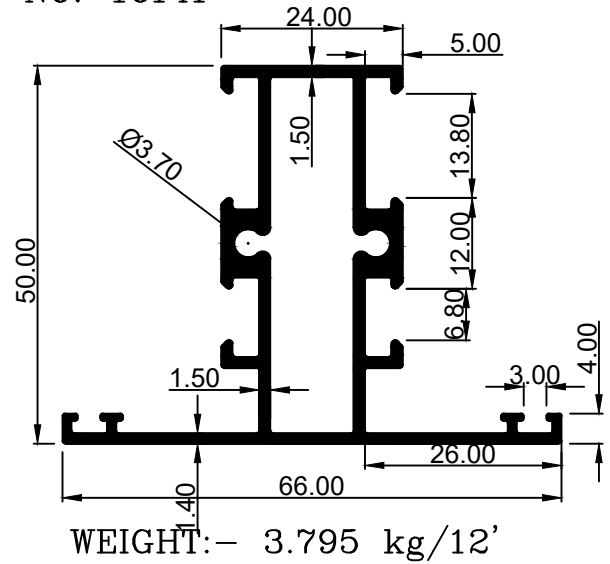
SEC. NO:-16139



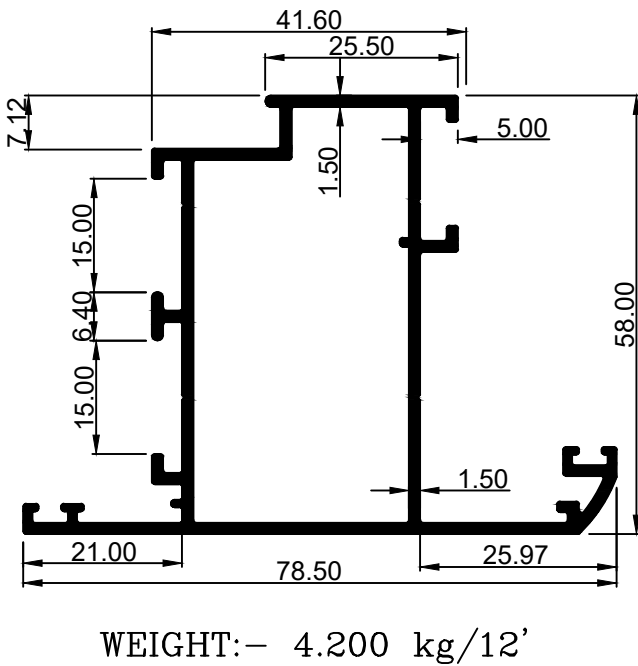
SEC. NO:-16140



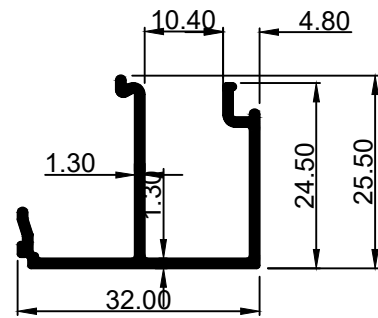
SEC. NO:-16141



SEC. NO:-16142

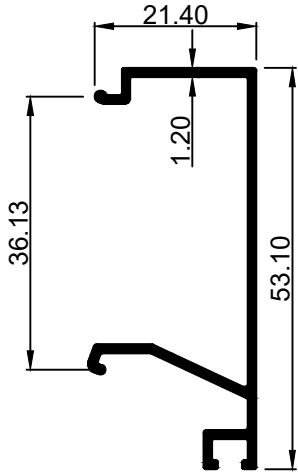


SEC. NO:-16143



SHREENATHJI EXTRUSION

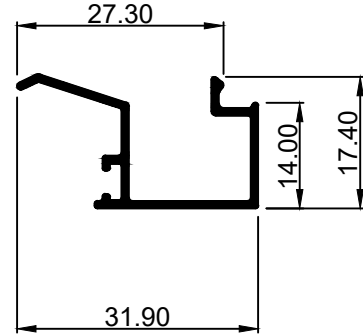
SEC. NO:-16245



WEIGHT:- 1.320 kg/12'

SEC. NO:-30029

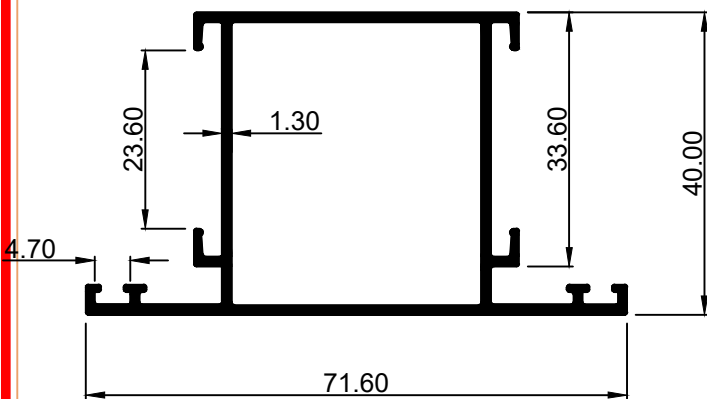
AH-199



WEIGHT:- 0.756 kg/12'

SEC. NO:-30030

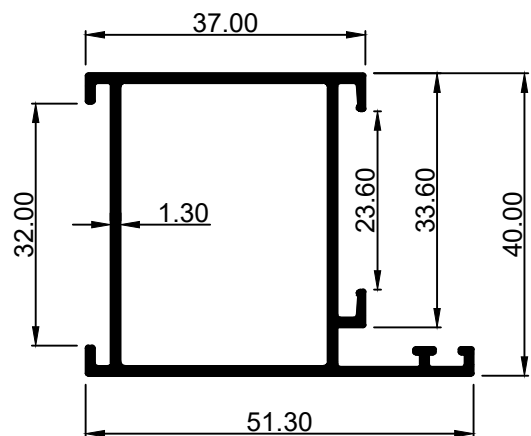
AH-194



WEIGHT:- 2.900 kg/12'

SEC. NO:-30031

AH-195

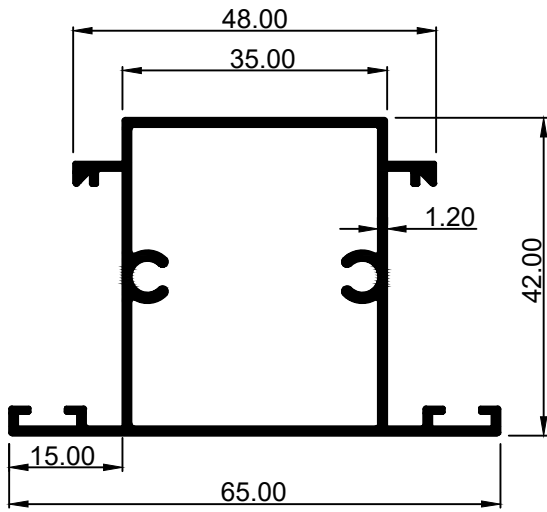


WEIGHT:- 2.358 kg/12'

SHREENATHJI EXTRUSION

SEC. NO:-30090

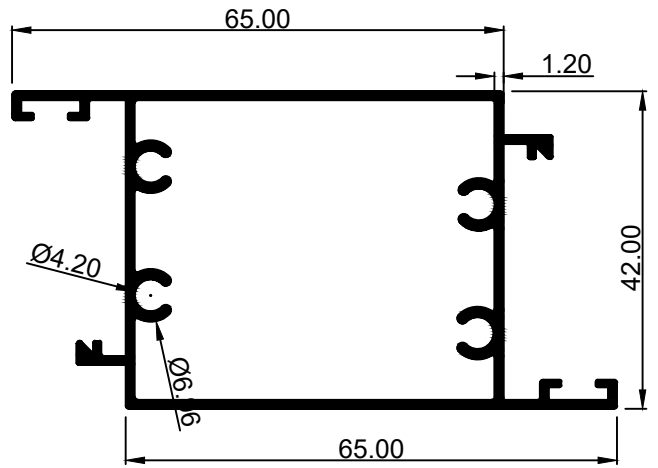
AH-229



WEIGHT:- 2.858 kg/12'

SEC. NO:-30091

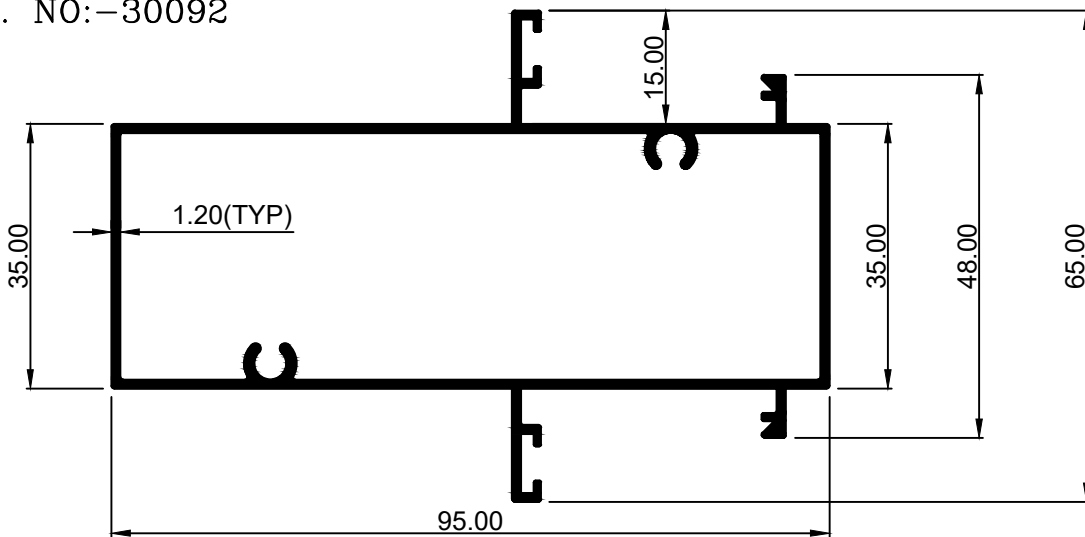
AH-232



WEIGHT:- 3.509 kg/12'

SEC. NO:-30092

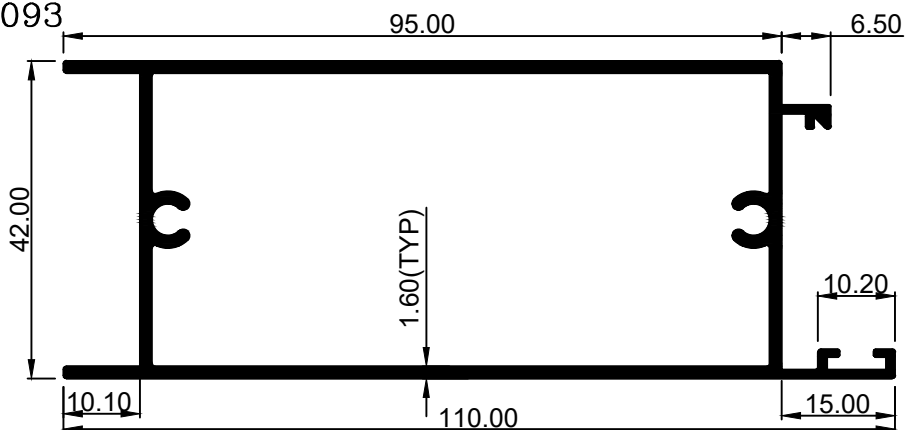
AH-230



WEIGHT:- 4.114 kg/12'

SEC. NO:-30093

AH-231

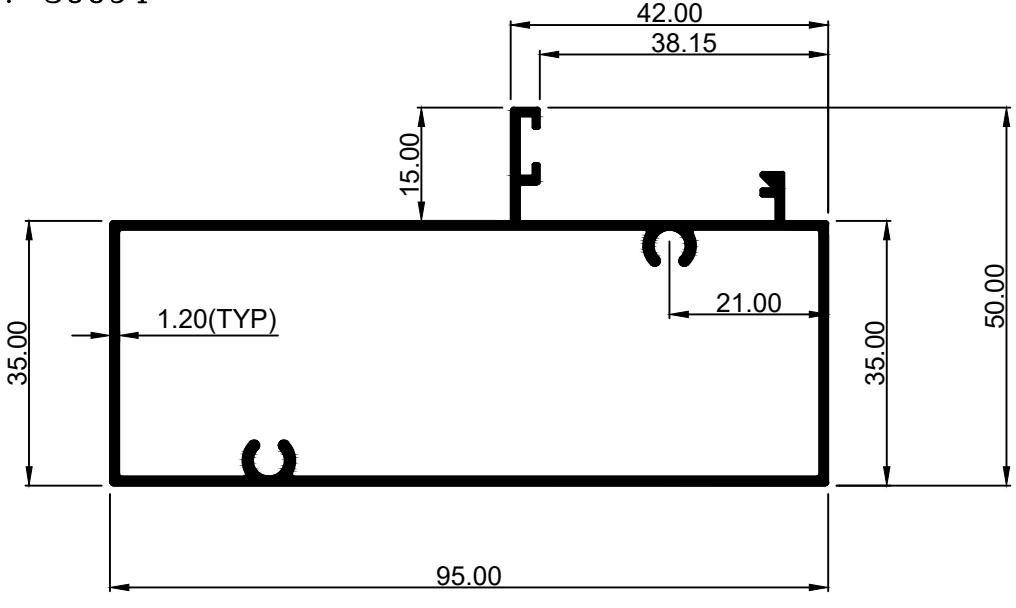


WEIGHT:- 4.980 kg/12'

SHREENATHJI EXTRUSION

SEC. NO:-30094

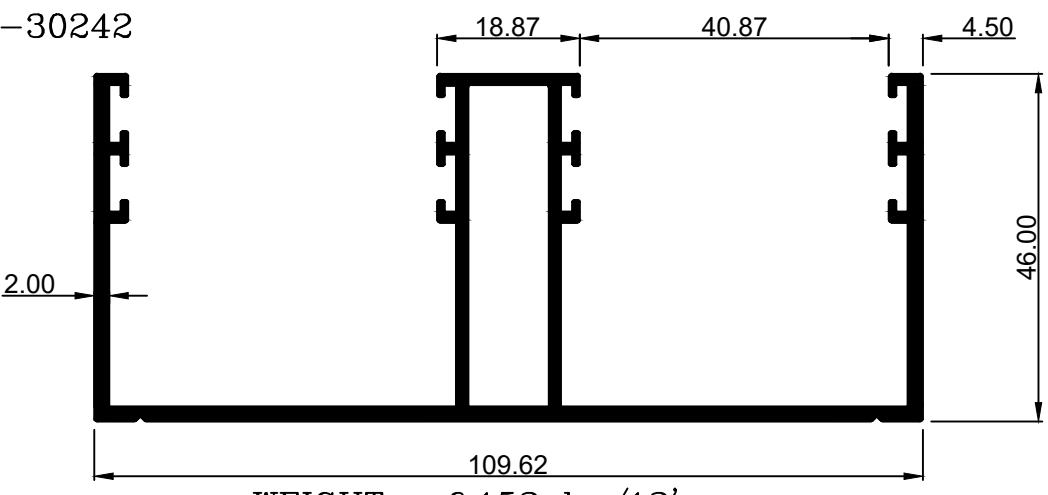
AH-234



WEIGHT:- 3.713 kg/12'

SEC. NO:-30242

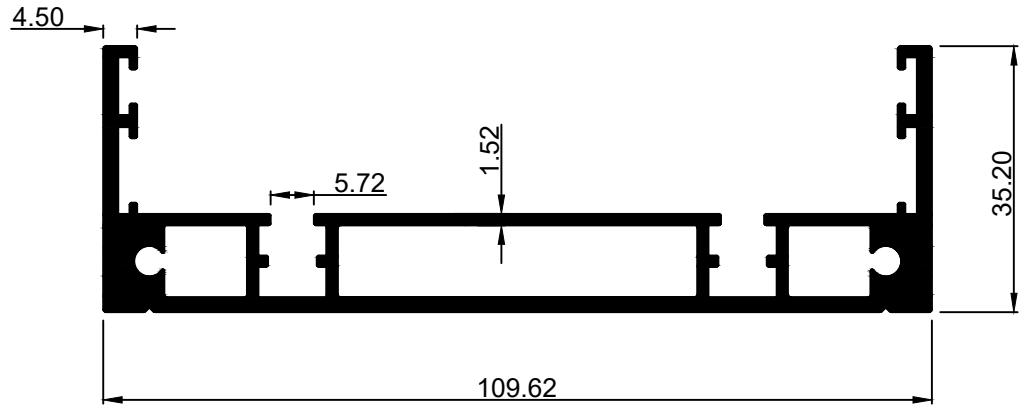
P-23



WEIGHT:- 6.152 kg/12'

SEC. NO:-30247

P-22

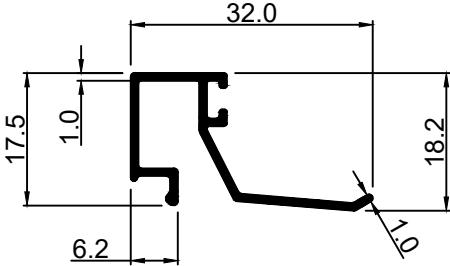


WEIGHT:- 6.675 kg/12'

SHREENATHJI EXTRUSION

SEC. NO:-30135

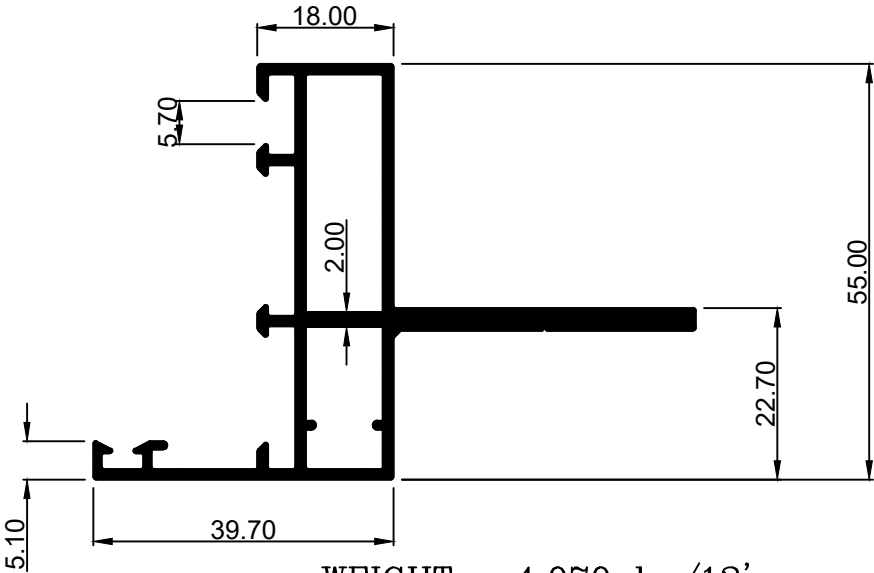
AH-289



WEIGHT:- 0.740 kg/12'

SEC. NO:-30127

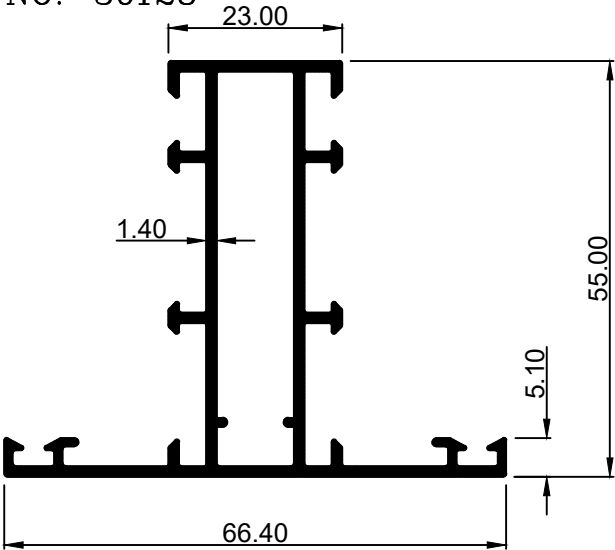
AH-265



WEIGHT:- 4.070 kg/12'

SEC. NO:-30128

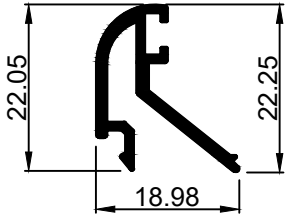
AH-266



WEIGHT:- 3.525 kg/12'

SEC. NO:-30241

P-06

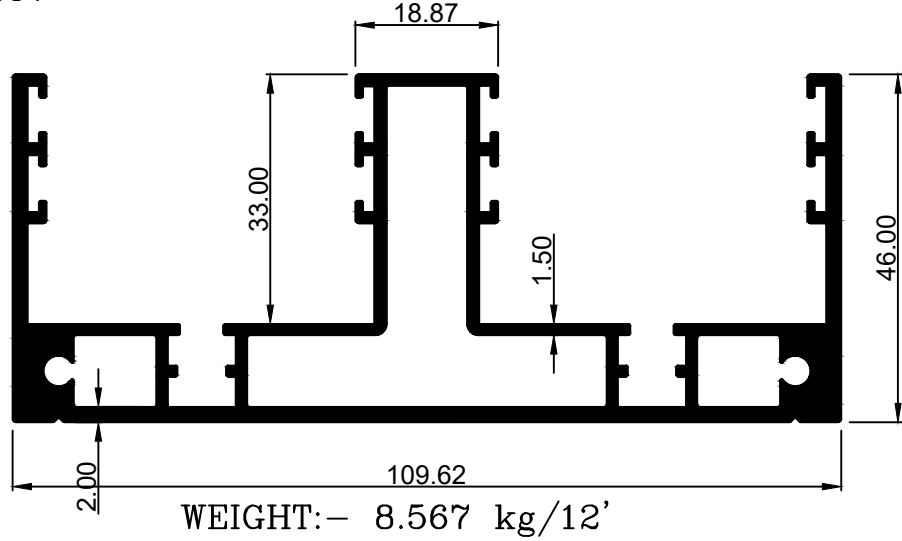


WEIGHT:- 0.864 kg/12'

SHREENATHJI EXTRUSION

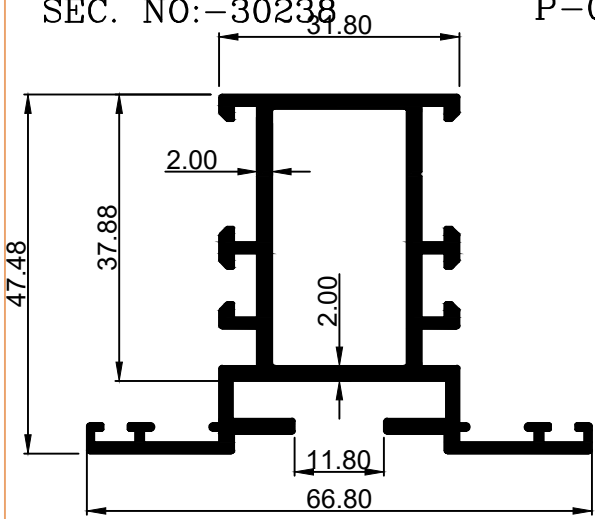
SEC. NO:-30237

P-01



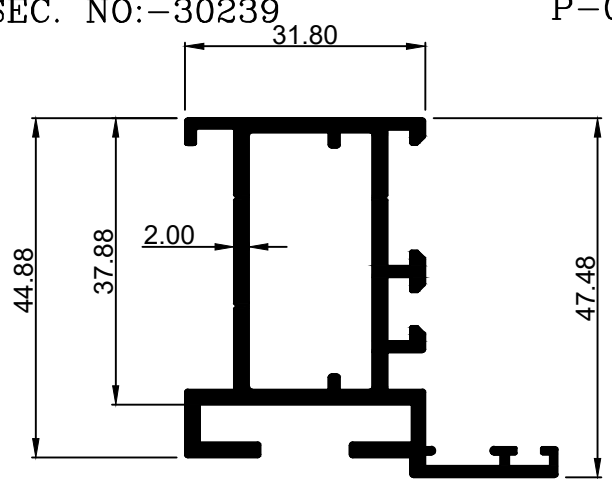
SEC. NO:-30238

P-05



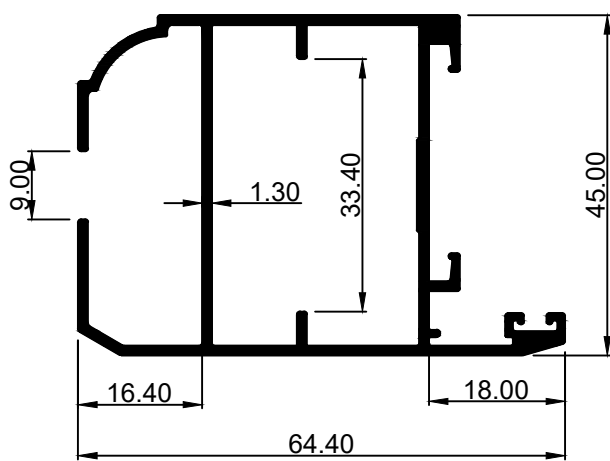
SEC. NO:-30239

P-07



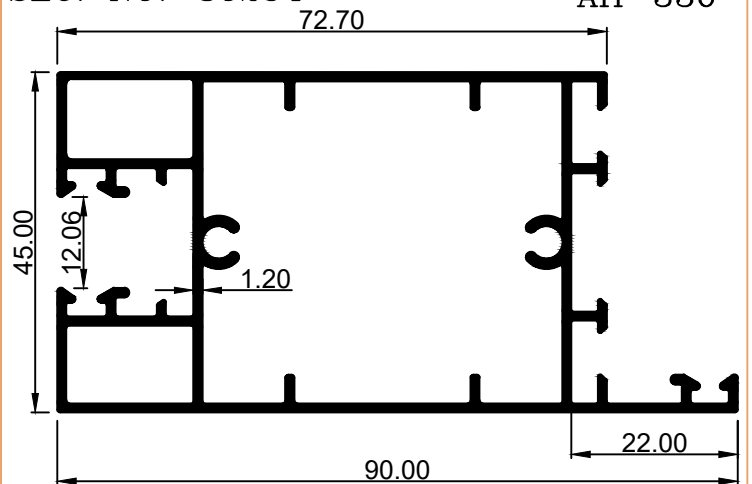
SEC. NO:-30260

P-25



SEC. NO:-30254

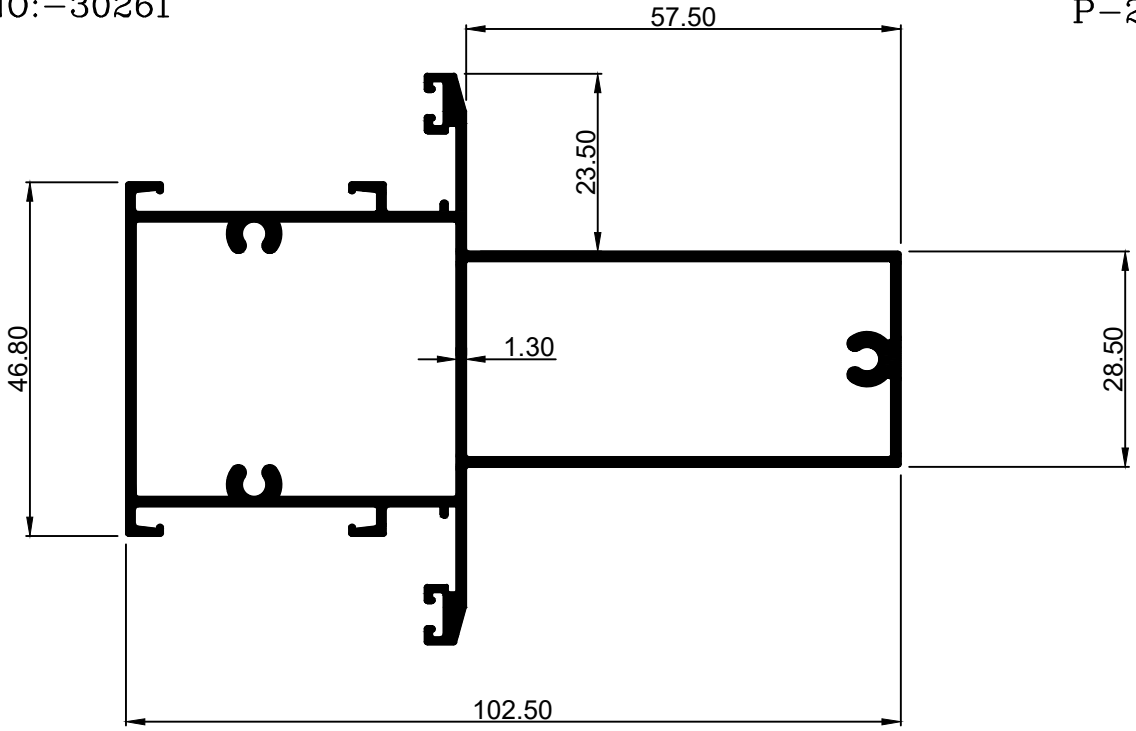
AH-330



SHREENATHJI EXTRUSION

SEC. NO:-30261

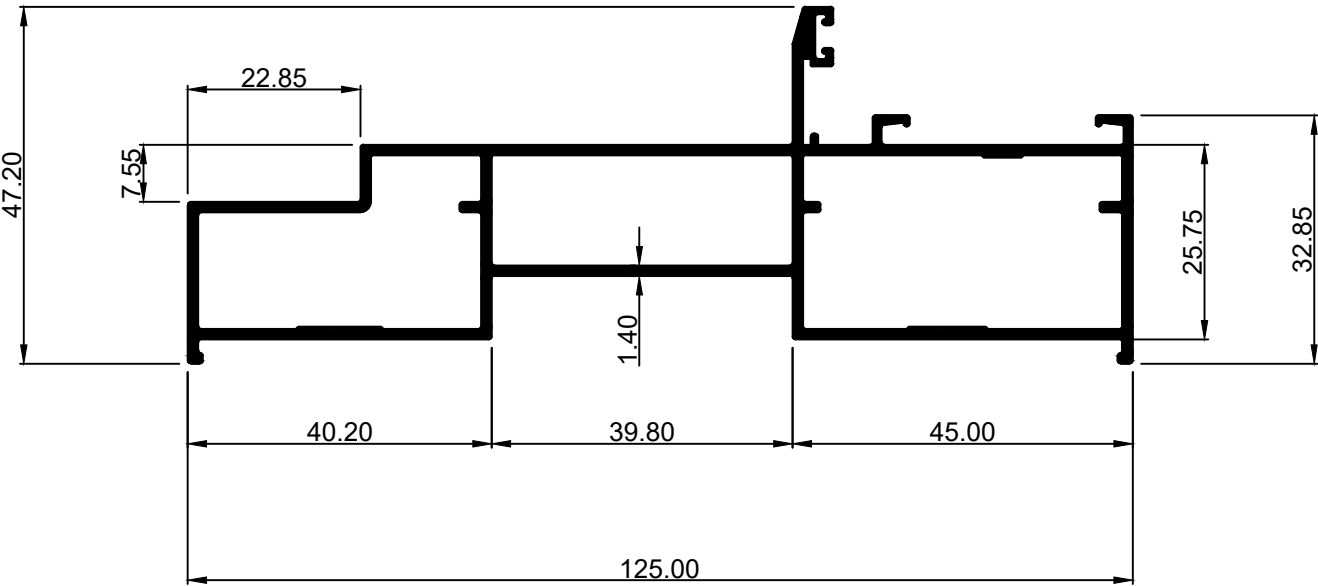
P-26



WEIGHT:- 5.700 kg/12'

SEC. NO:-30262

P-27

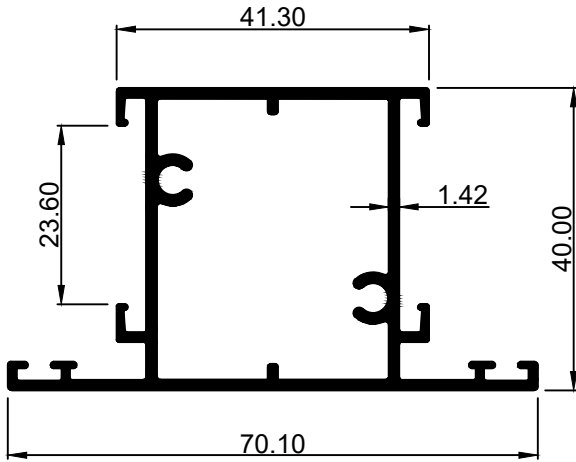


WEIGHT:- 5.636 kg/12'

SHREENATHJI EXTRUSION

SEC. NO:-30333

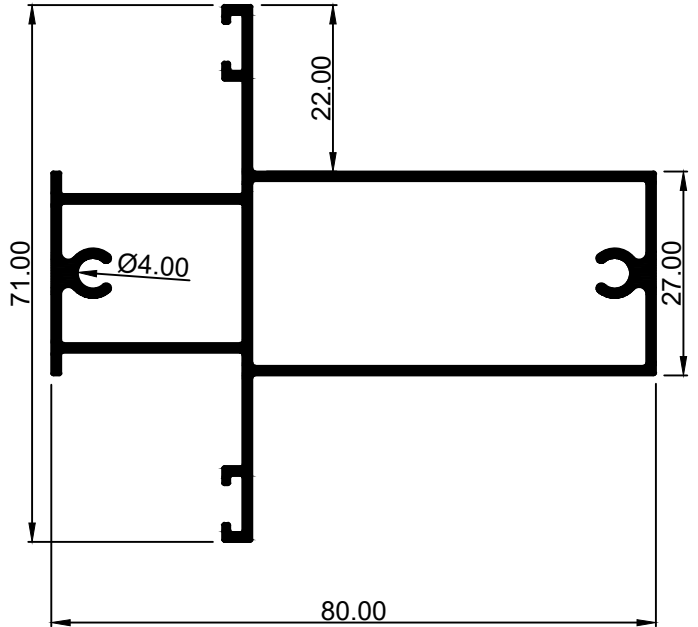
8022



WEIGHT:- 4.200 kg/15'

SEC. NO:-30459

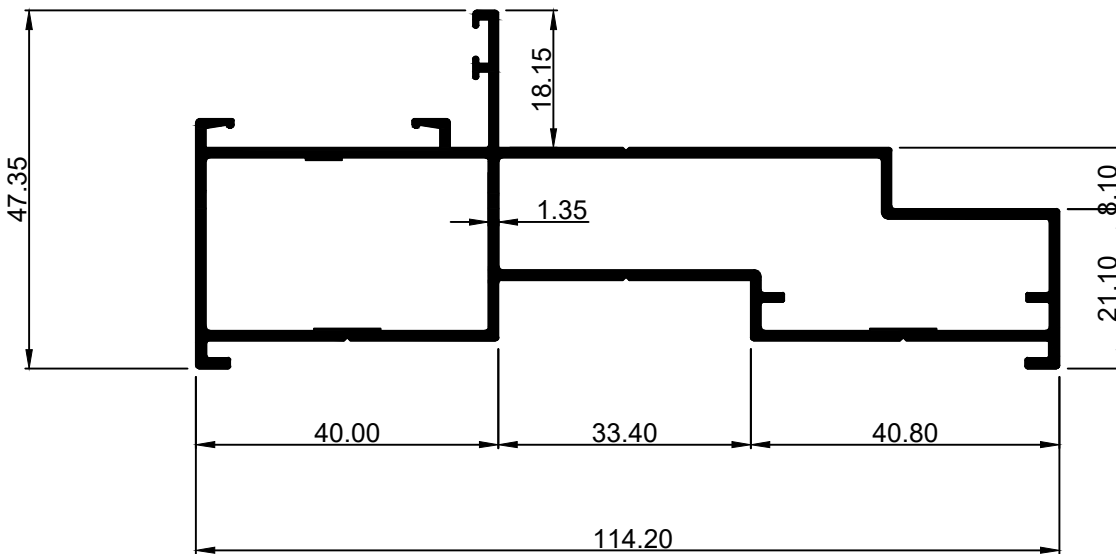
8202



WEIGHT:- 4.200 kg/12'

SEC. NO:-30350

8023

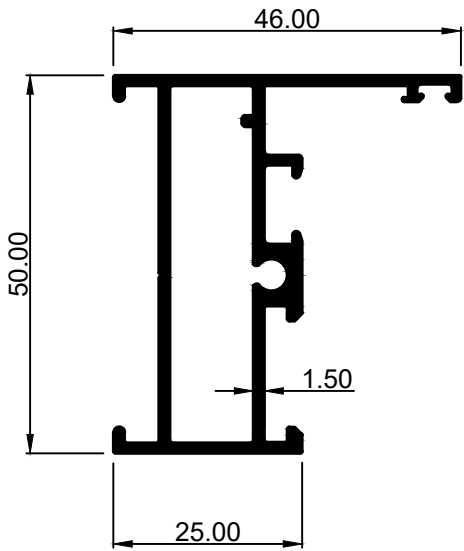


WEIGHT:- 4.680 kg/12'

SHREENATHJI EXTRUSION

SEC. NO:-30351

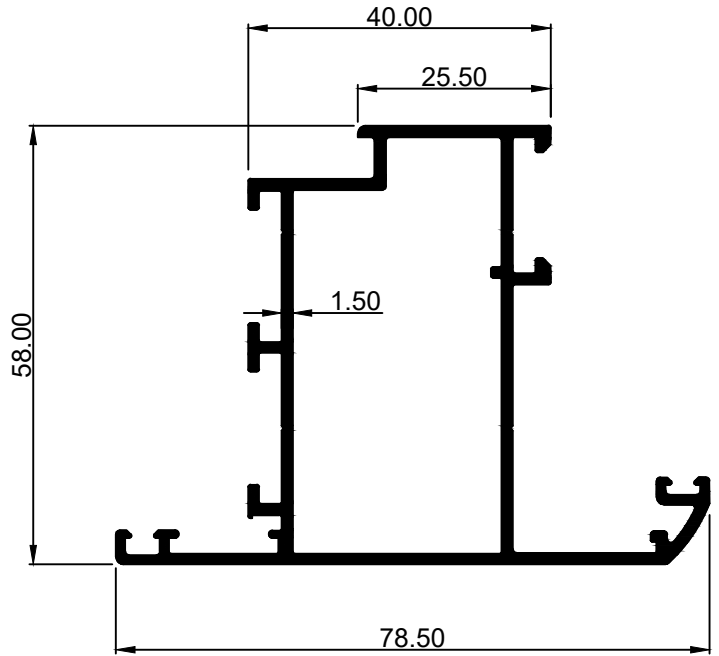
DRG-03



WEIGHT:- 2.964 kg/12'

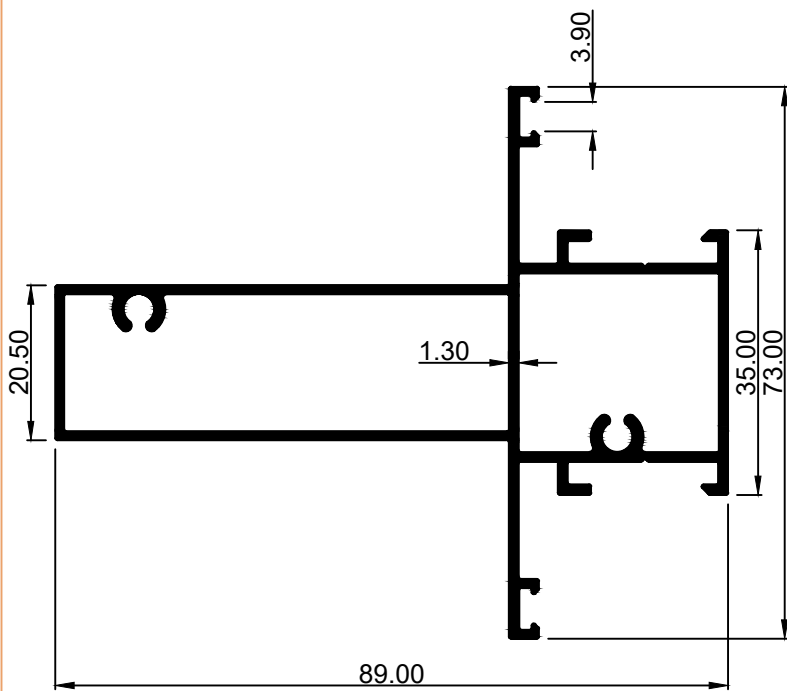
SEC. NO:-30352

DRG-04



WEIGHT:- 4.365 kg/12'

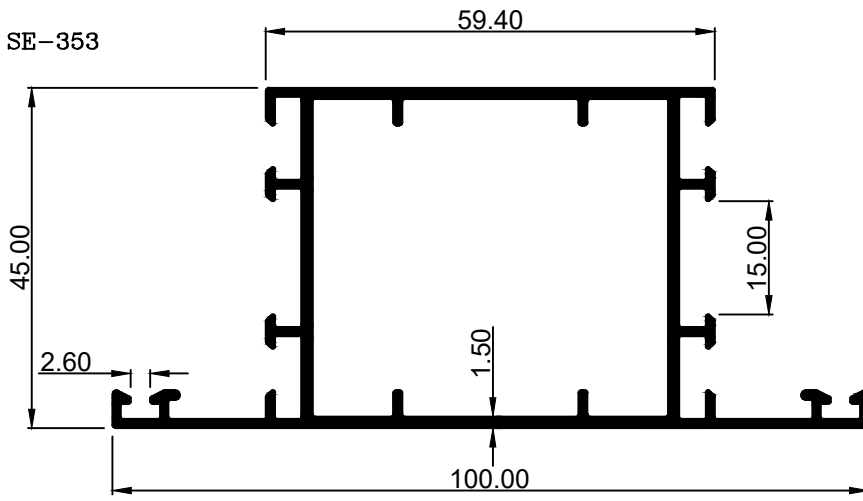
SECTION No.:-SE-656 (SL-1801)



4.415 Kg/12'

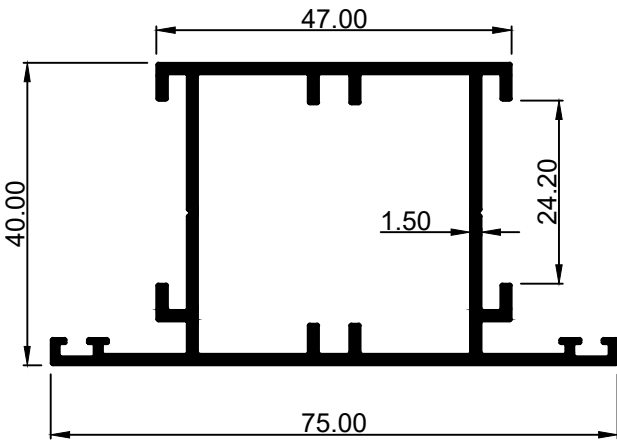
SHREENATHJI EXTRUSION

SECTION No.:- SE-353



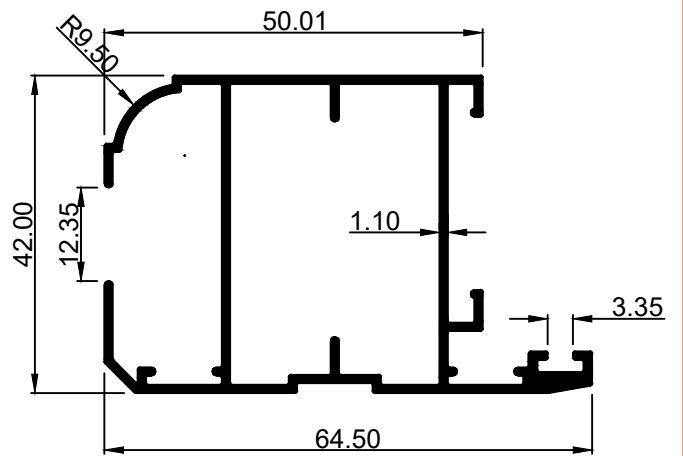
4.400 KG/12'

SECTION No.:- SE-399



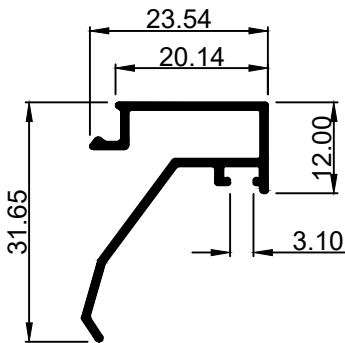
3.578 KG/12'

SECTION No.:- SE-446



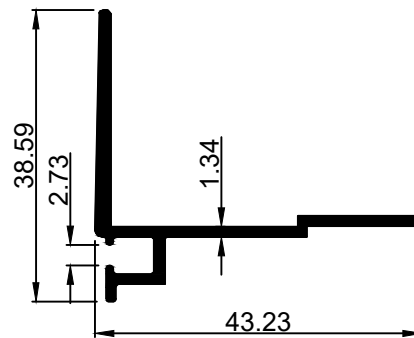
2.926 KG/12'

SECTION No.:- SE-354



0.834 KG/12'

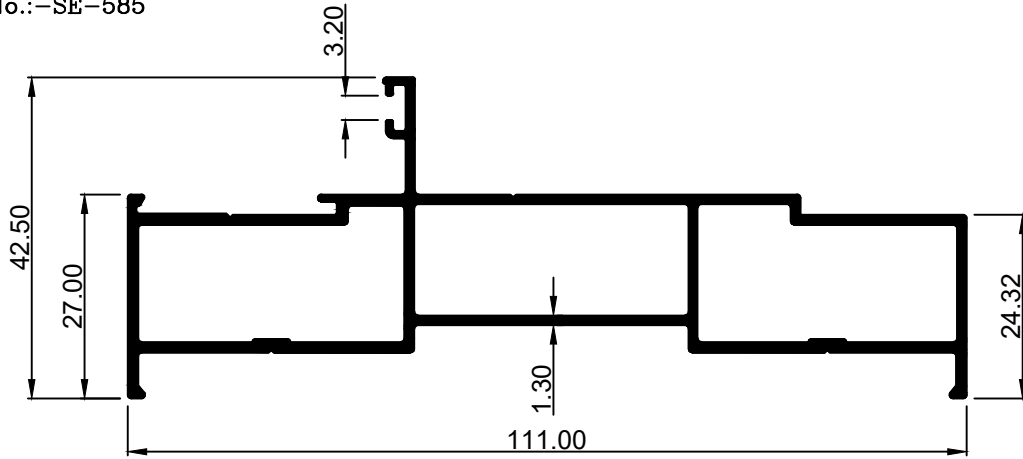
SECTION No.:- SE-525



1.319805 Kg/12'

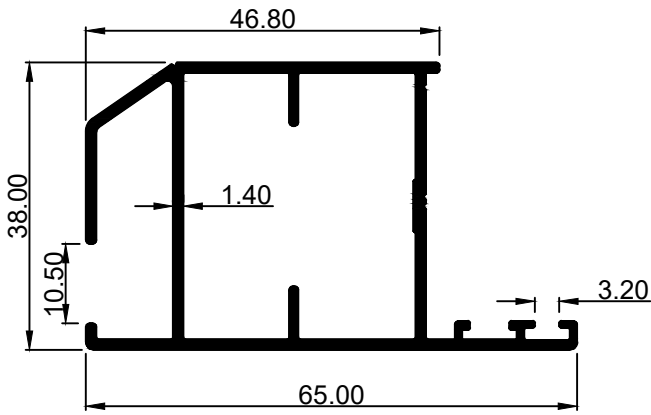
SHREENATHJI EXTRUSION

SECTION No.:--SE-585



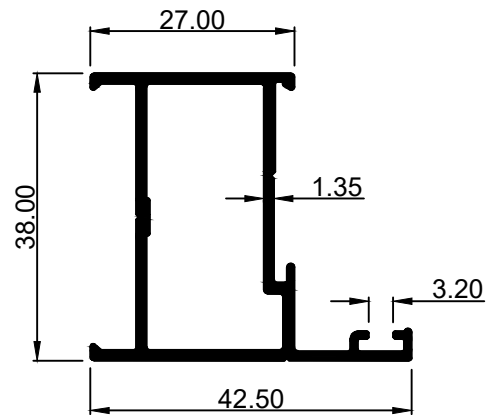
4.490 Kg/12'

SECTION No.:--SE-582



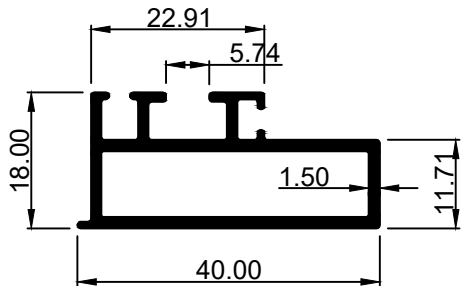
3.076 Kg/12'

SECTION No.:--SE-583



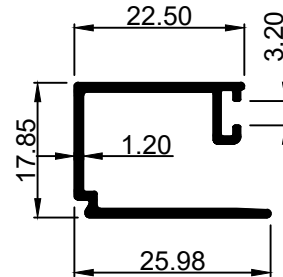
2.108 Kg/12'

SECTION No.:-- SE-531



1.7790 Kg/12'

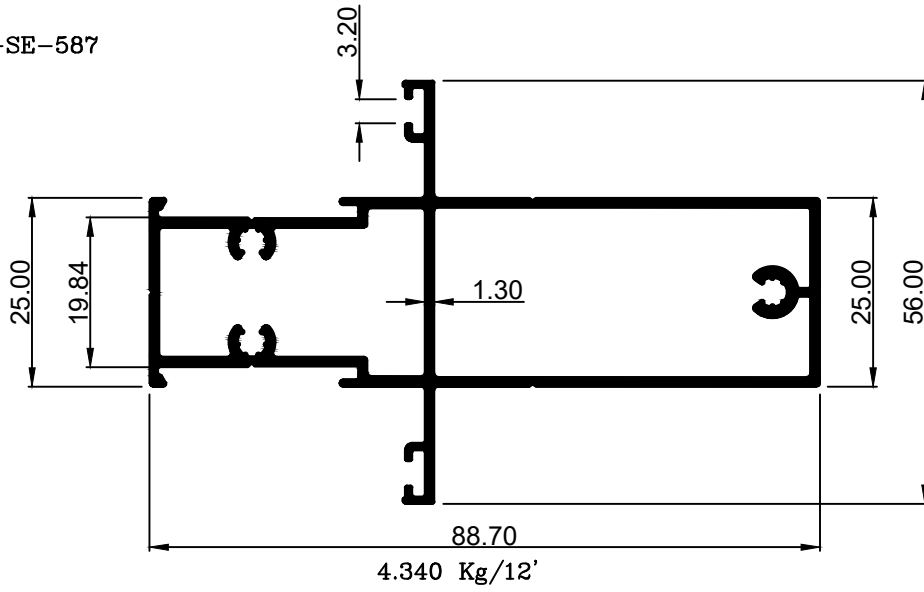
SECTION No.:--SE-584



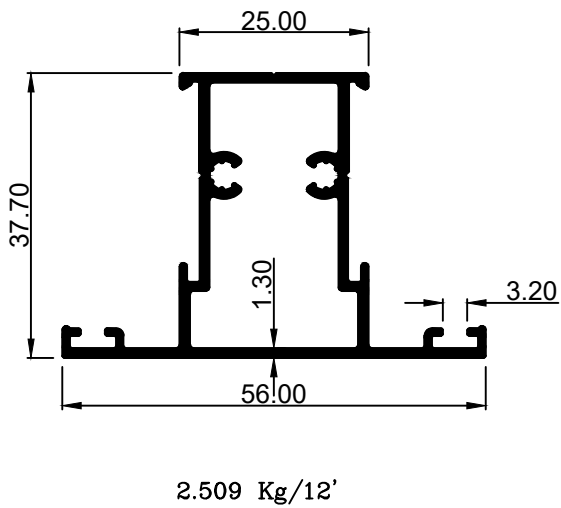
0.866 Kg/12'

SHREENATHJI EXTRUSION

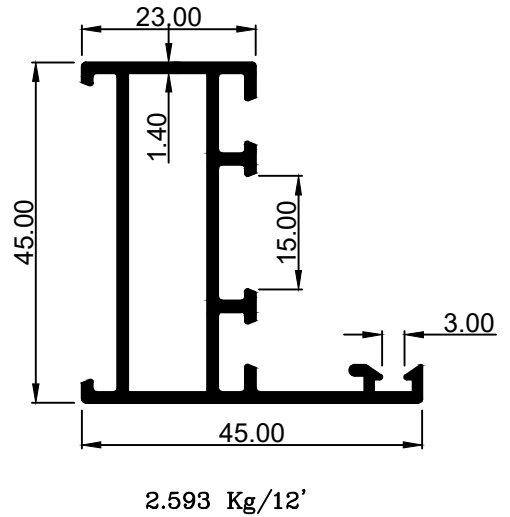
SECTION No.: -SE-587



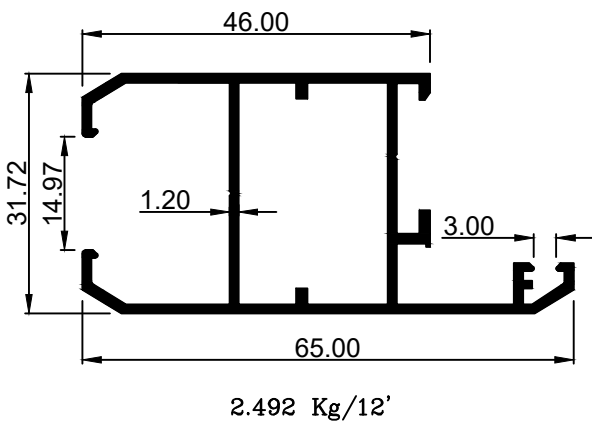
SECTION No.: -SE-586



SECTION No.: -SE-655 (SL-1800)

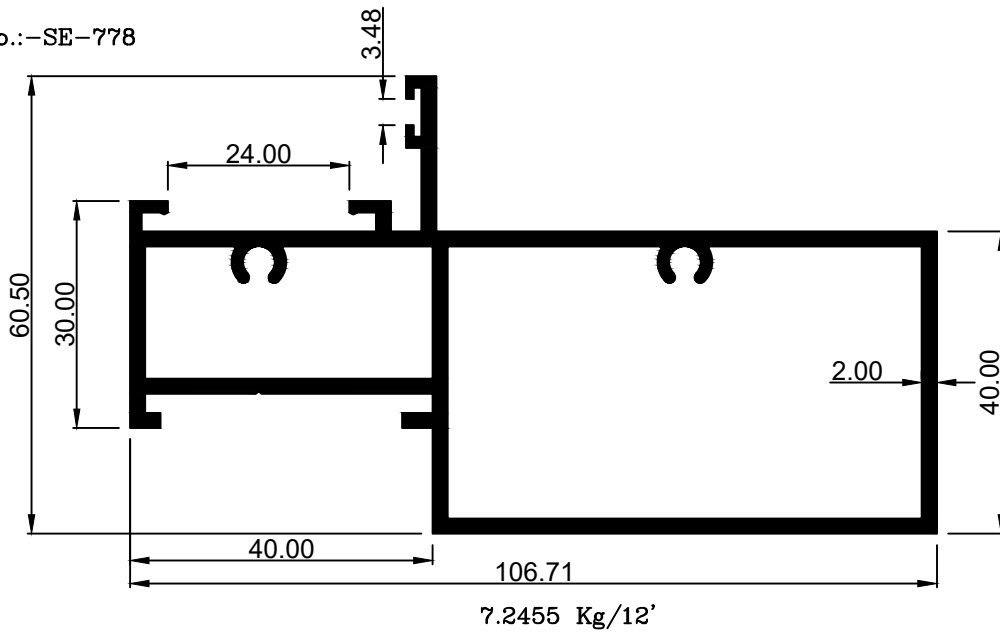


SECTION No.: -SE-668

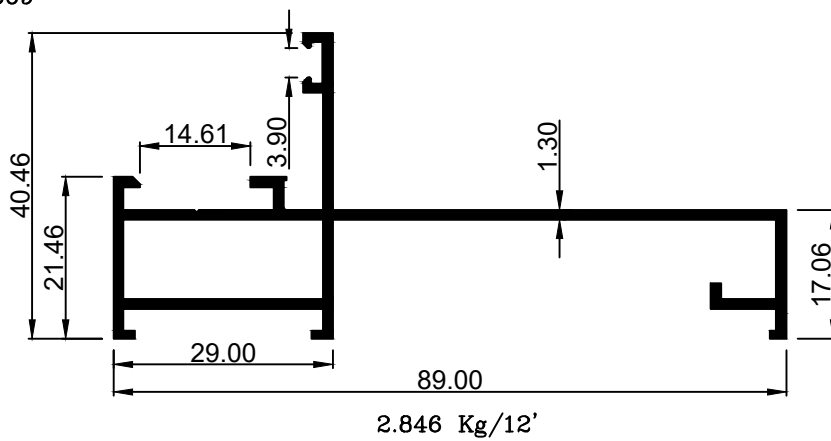


SHREENATHJI EXTRUSION

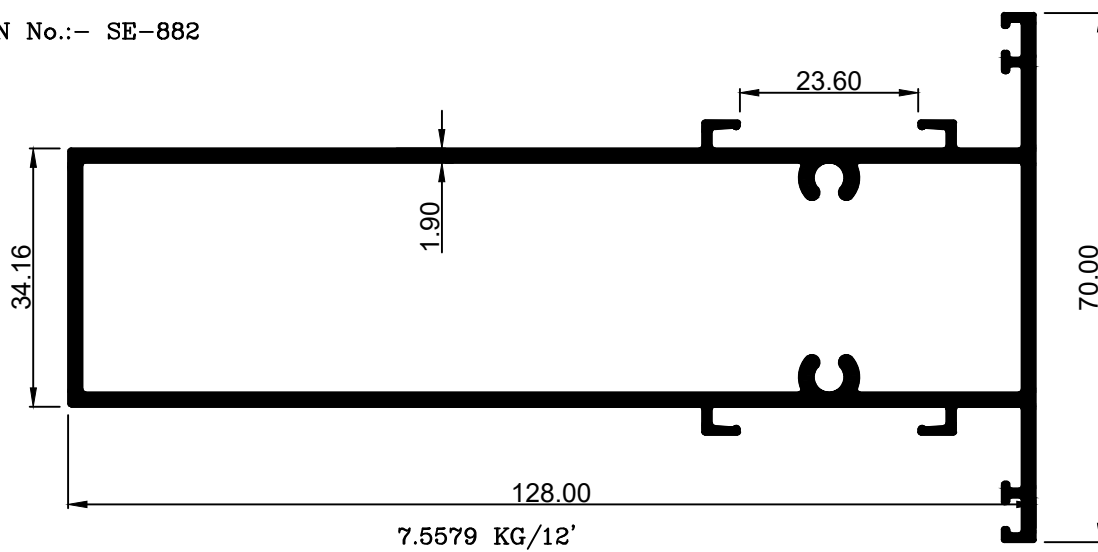
SECTION No.:--SE-778



SECTION No.:--SE-669



SECTION No.:-- SE-882



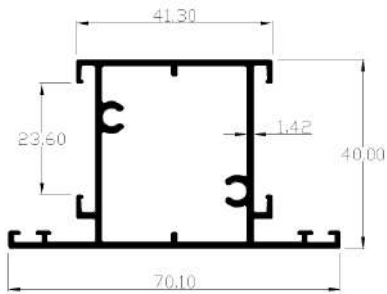
Shreenathji

Extrusion

30333

SEC. NO:-30333

8022



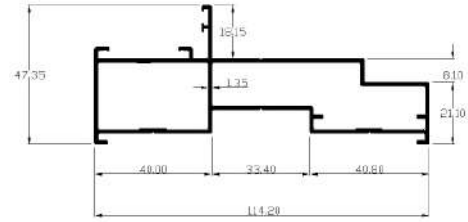
WEIGHT:- 4.200 kg/15'

Z-SERIES

30350

SEC. NO:-30350

8023



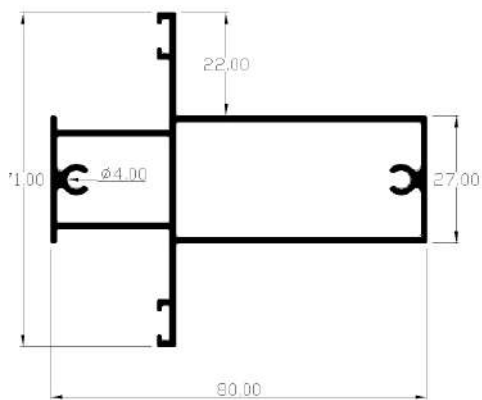
WEIGHT:- 4.680 kg/12'

Z-SERIES

30459

SEC. NO:-30459

8202



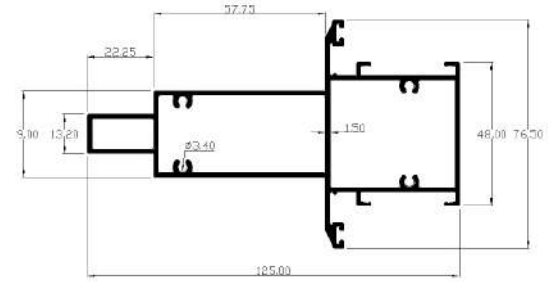
WEIGHT:- 4.200 kg/12'

VISHWAKARMA BHUJ,Z-SERIES

30509

SEC. NO:-30509

8232



WEIGHT:- 1.200 kg/12'

Z-SERIES

Shreenathji

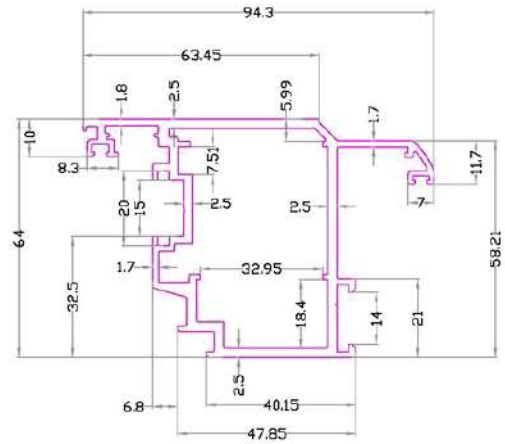
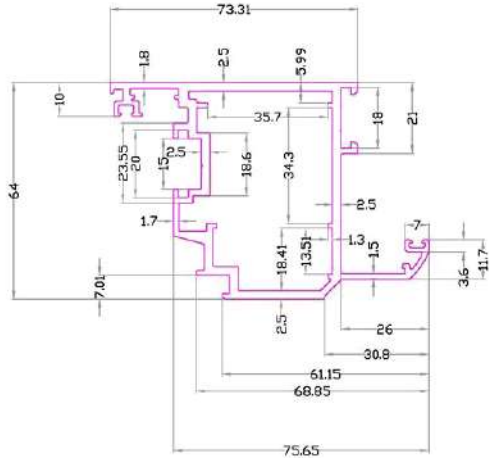
Extrusion

8587

8588

SEC NO:8587

SEC NO:8588

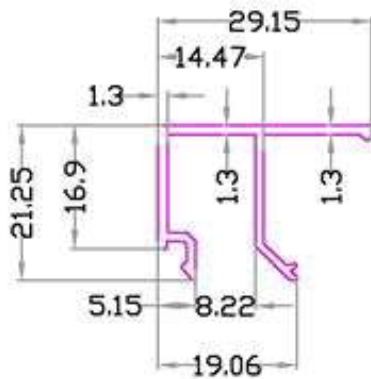


Z-SERIES

Z-SERIES

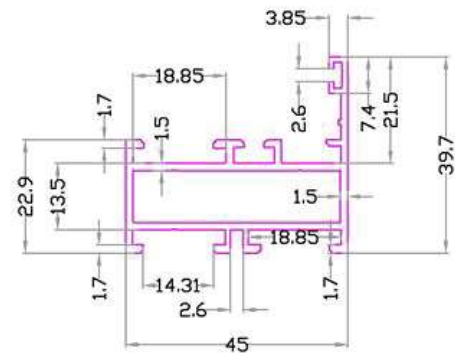
8591

8592



DIE NO-8591

WEIGHT-0.900kg/12'



DIE NO-8592

WEIGHT-2.800kg/12'

PLECTRA,Z-SERIES

PLECTRA,Z-SERIES

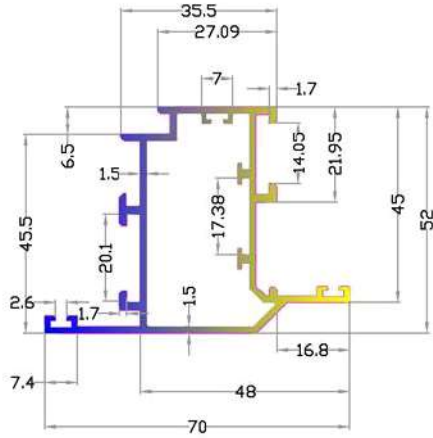
Shreenathji

Extrusion

8593

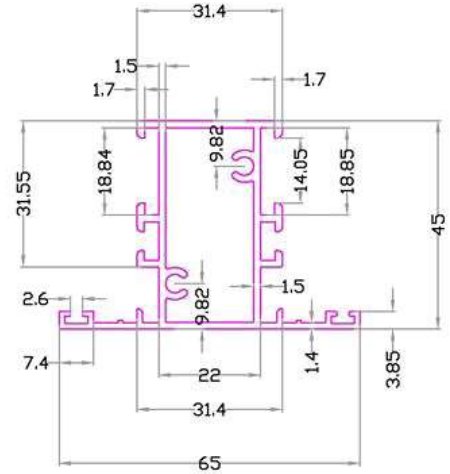
8594

SEC NO:8593



PLECTRA,Z-SERIES

SEC NO:8594

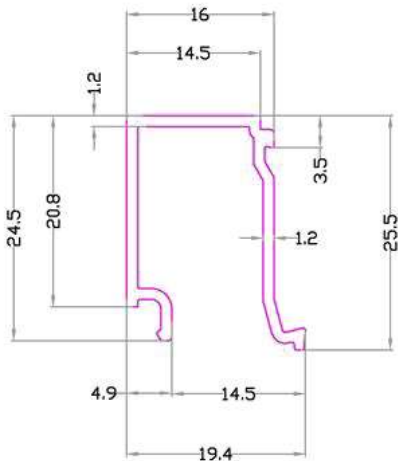


PLECTRA,Z-SERIES

8702

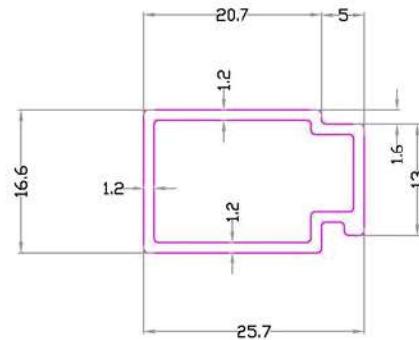
8703

SEC NO:8702



PLECTRA,Z-SERIES

SEC NO:8703



PLECTRA,Z-SERIES

