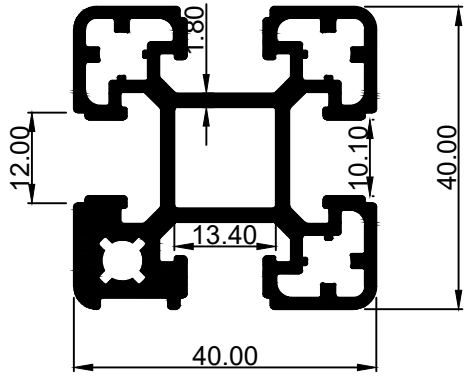


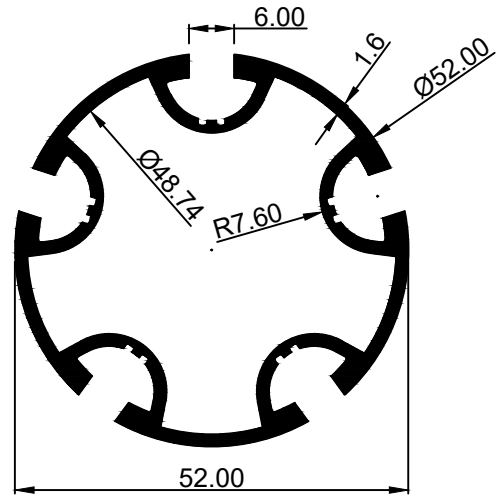
SHREENATHJI EXTRUSION

SEC. NO:-16004



WEIGHT:- 5.208 kg/12'

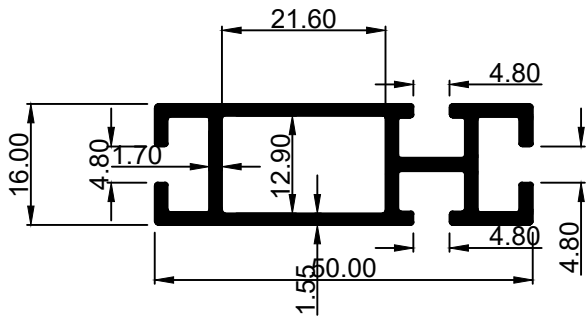
SEC. NO:-30076



WEIGHT:- 4.180 kg/12'

SEC. NO:-30039

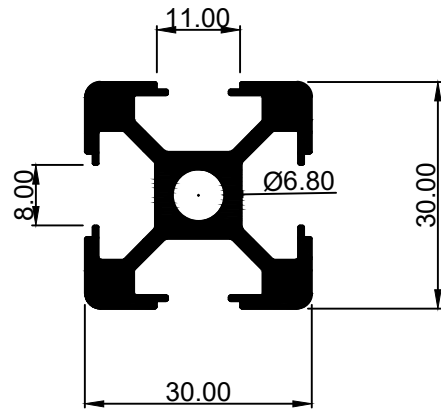
PAD



WEIGHT:- 2.523 kg/12'

SEC. NO:-30357

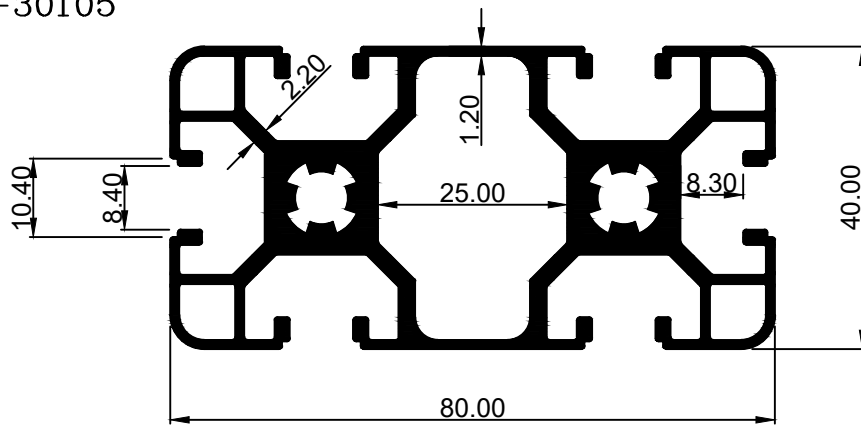
8089



WEIGHT:- 3.500 kg/12'

SEC. NO:-30105

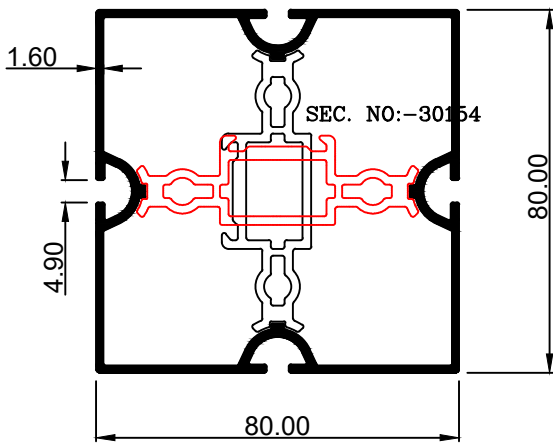
PE-159



WEIGHT:- 8.419 kg/12'

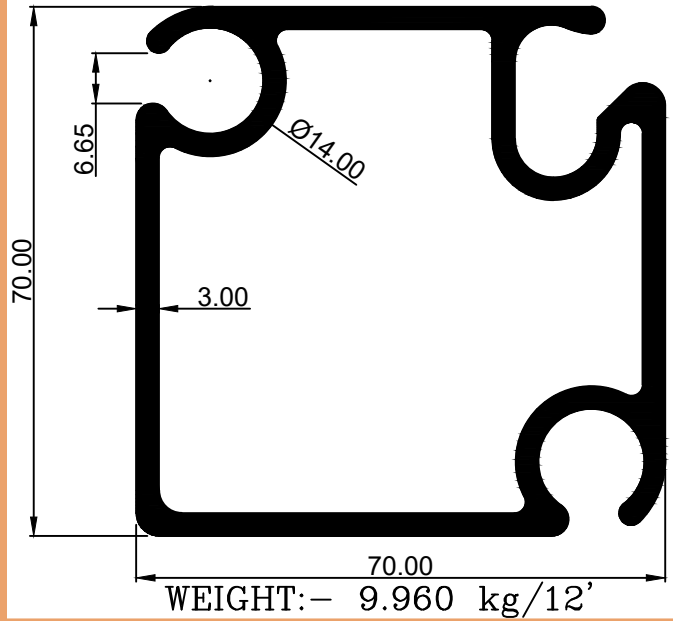
SHREENATHJI EXTRUSION

SEC. NO:-30077



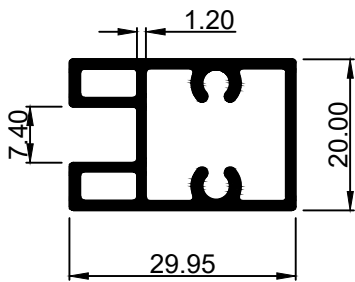
WEIGHT:- 6.500 kg/12'

SEC. NO:-30228



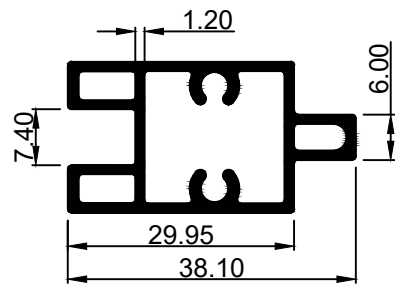
WEIGHT:- 9.960 kg/12'

SECTION No.:- SE-698



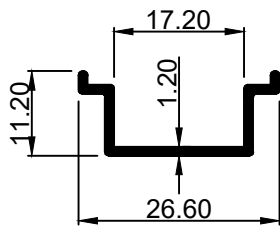
1.798 Kg/12'

SECTION No.:- SE-699



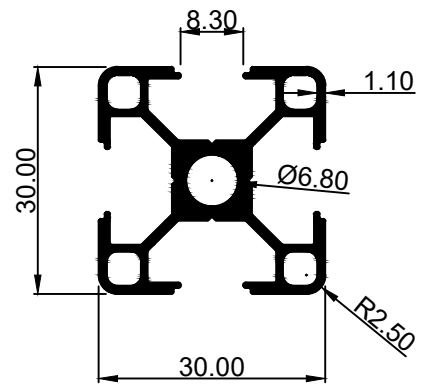
2.057 Kg/12'

SECTION No.:- SE-700



0.547 Kg/12'

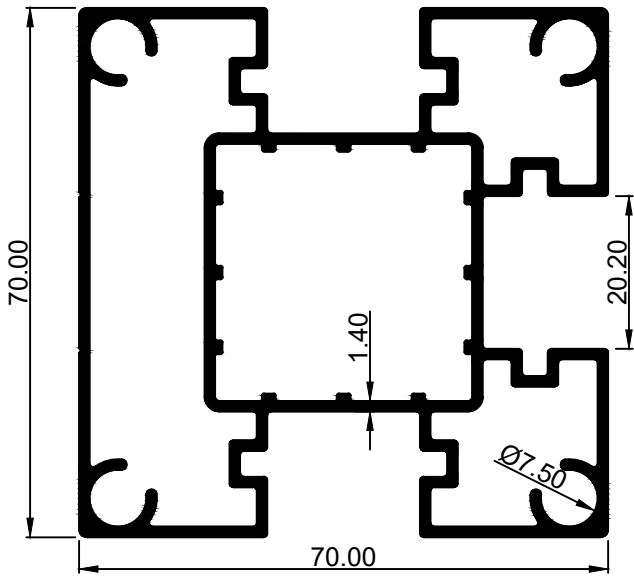
SECTION No.:- SE-1079



2.3223 Kg/12'

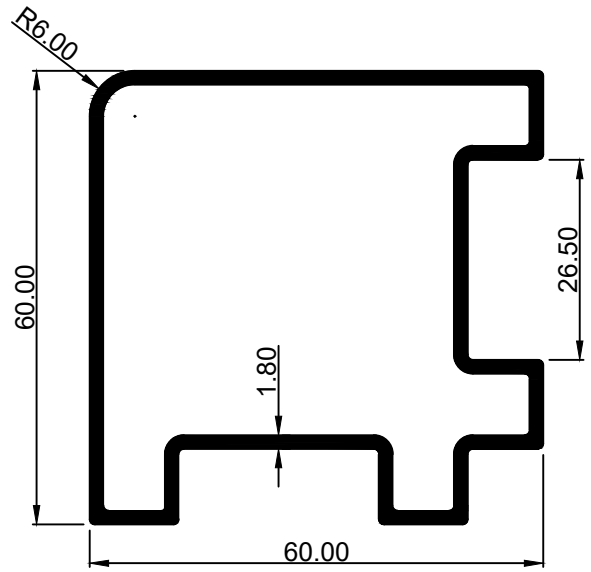
SHREENATHJI EXTRUSION

SECTION No.:– SE-701



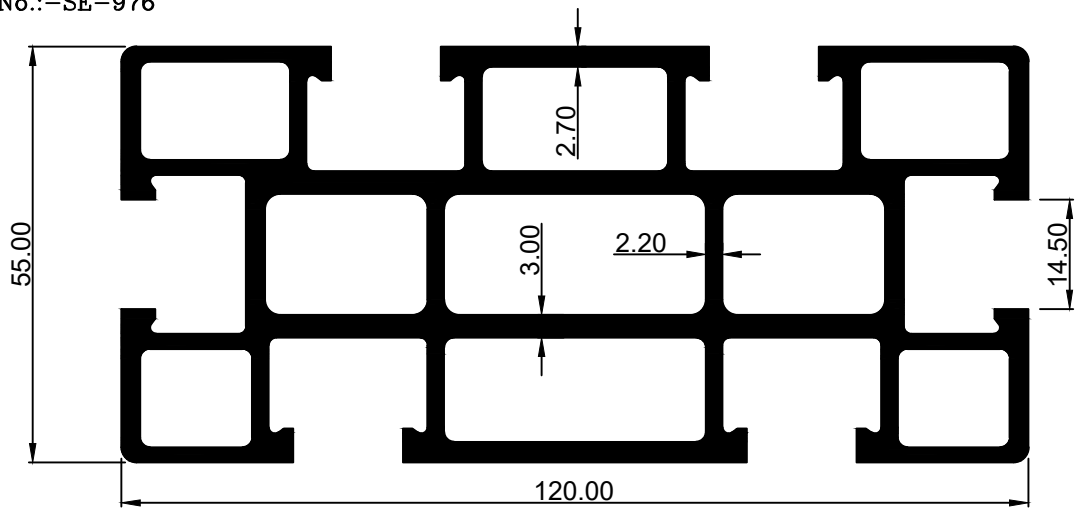
7.710 Kg/12'

SECTION No.:– SE-1010



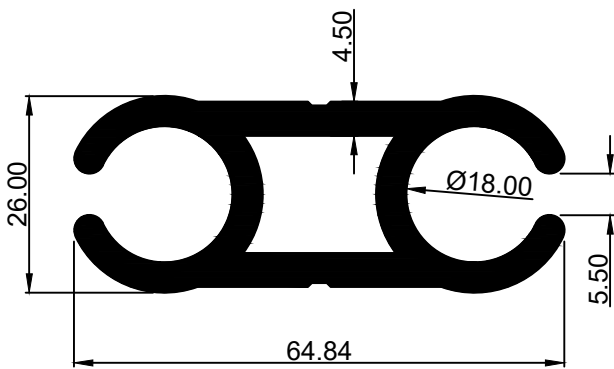
4.7517 Kg/12'

SECTION No.:–SE-976



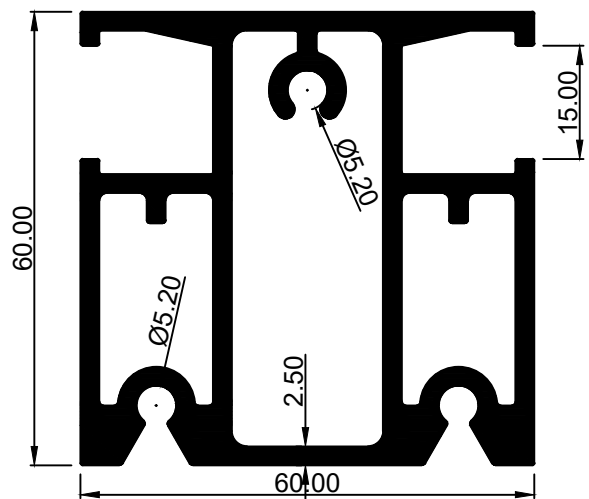
17.2474 Kg/12'

SECTION No.:– SE-1192



7.1293 Kg/12'

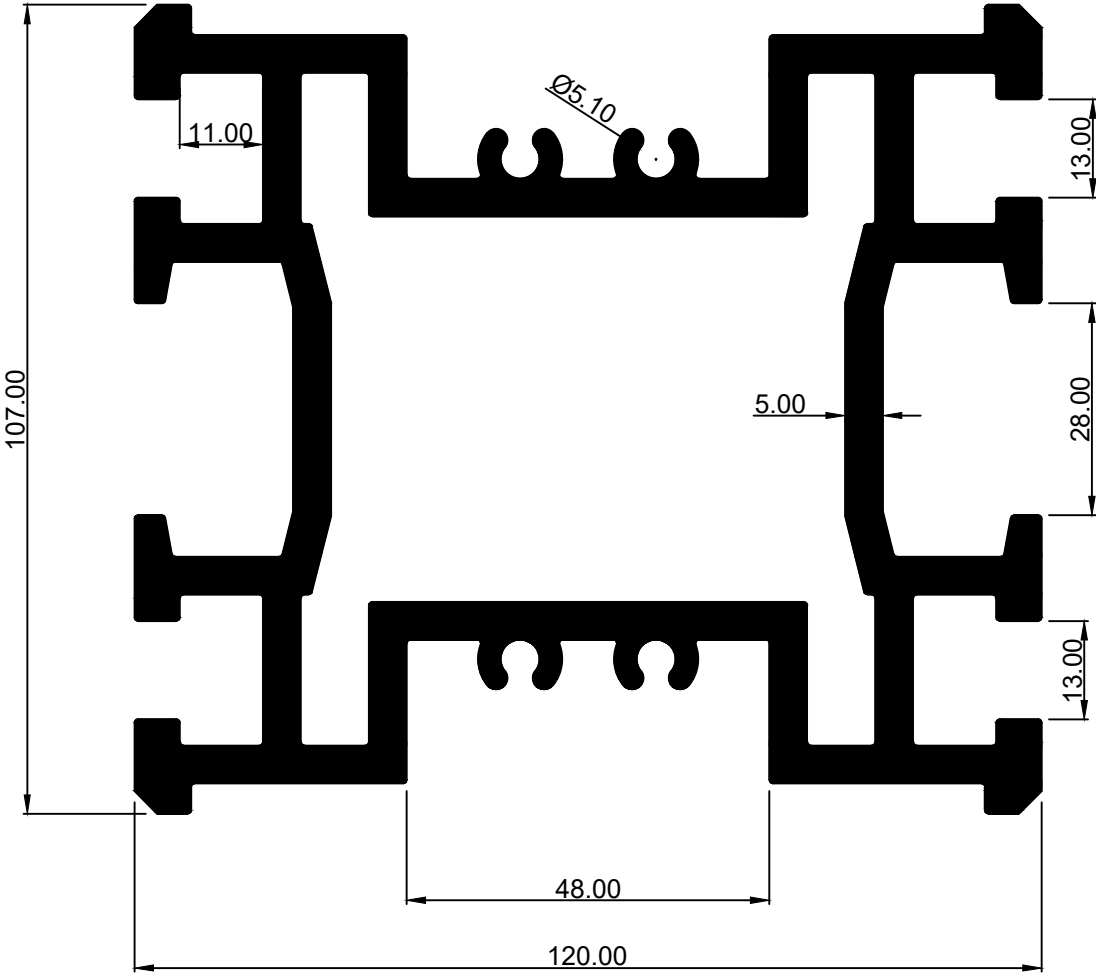
SECTION No.:–SE-1356



2.9310 Kg/Mtr.

SHREENATHJI EXTRUSION

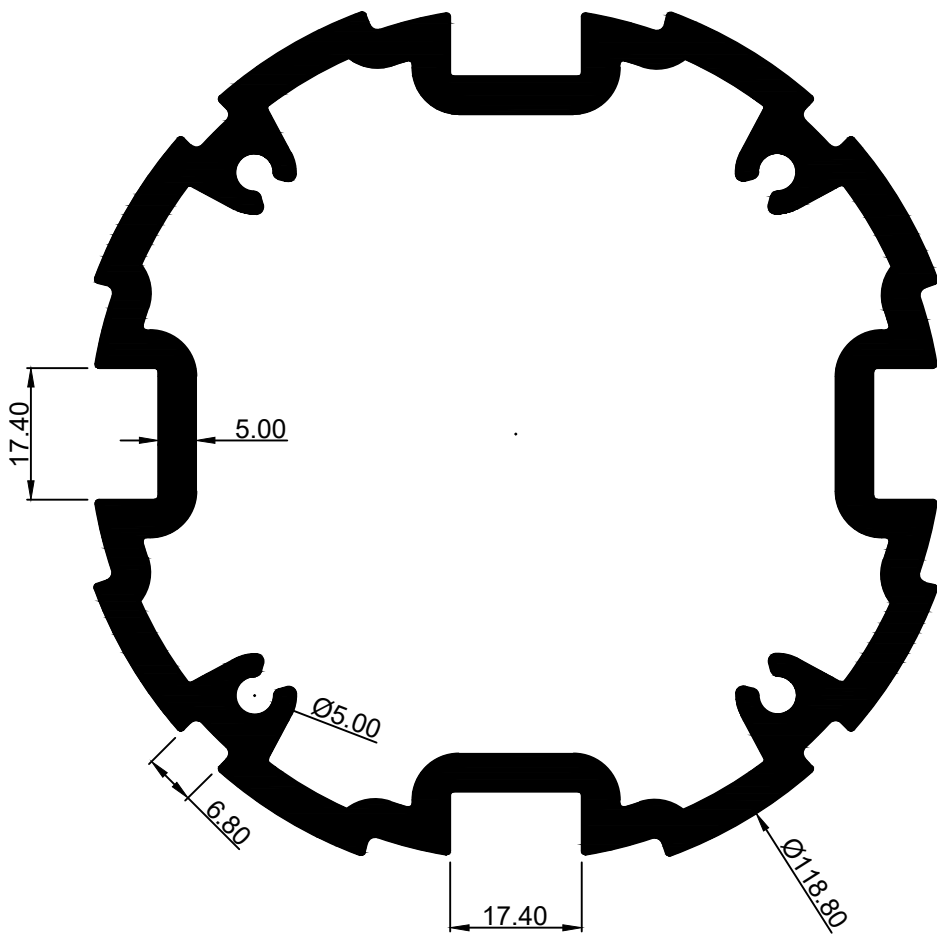
SECTION NO:- SE-1549



WEIGHT:- 33.4579 Kg/12'

SHREENATHJI EXTRUSION

SECTION NO:- SE-1578



WEIGHT:- 22.9051 Kg/12'