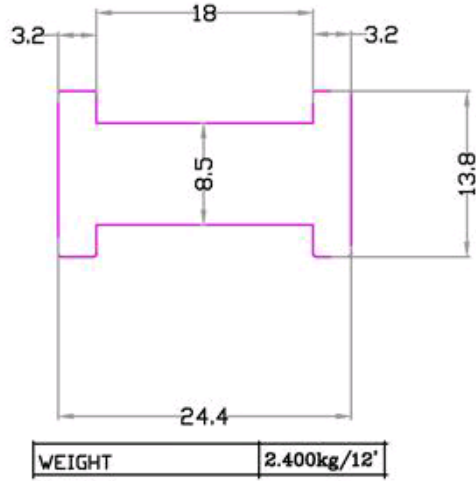


# Shreenathji

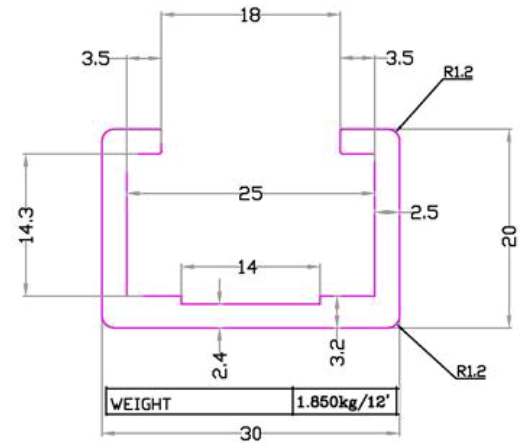
07



INDUSTRIAL

# Extrusion

08

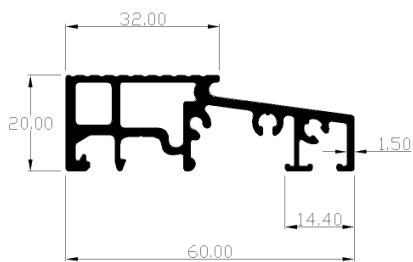


INDUSTRIAL

30344

SEC. NO:-30344

8012

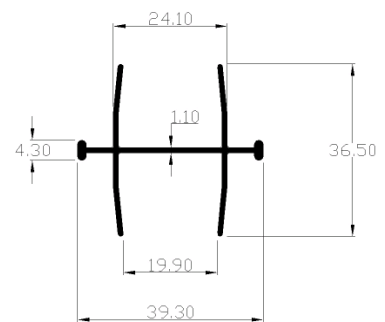


INDUSTRIAL

30346

SEC. NO:-30346

8017



INDUSTRIAL

# Shreenathji

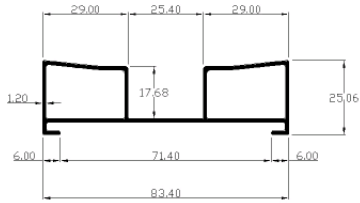
# Extrusion

30347

30348

SEC. NO:-30347

8018

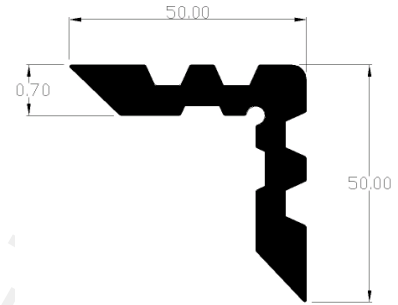


WEIGHT:- 2.750 kg/12'

INDUSTRIAL

SEC. NO:-30348

8020



WEIGHT:- 6.642 kg/12'

INDUSTRIAL

30353

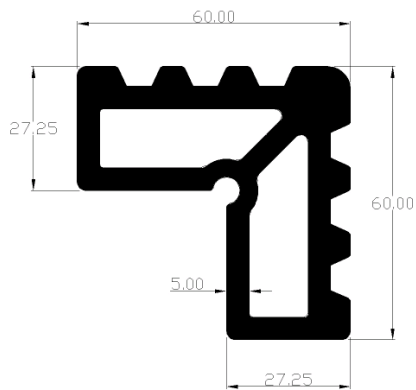
30355

SEC. NO:-30353

DRG-01

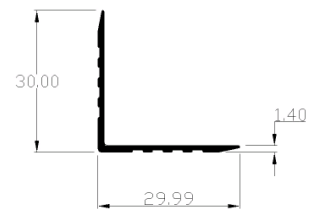
SEC. NO:-30355

8077



WEIGHT:- 13.944 kg/12'

INDUSTRIAL



WEIGHT:- 0.870 kg/12'

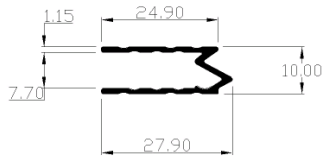
INDUSTRIAL

# Shreenathji

30356

SEC. NO:-30356

8078



WEIGHT:- 0.710 kg/12'

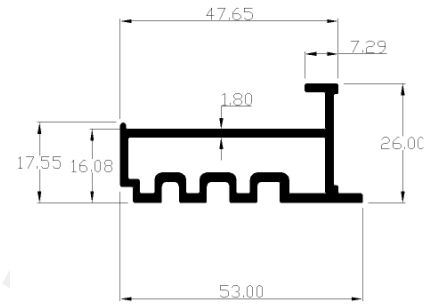
INDUSTRIAL

# Extrusion

30358

SEC. NO:-30358

8049



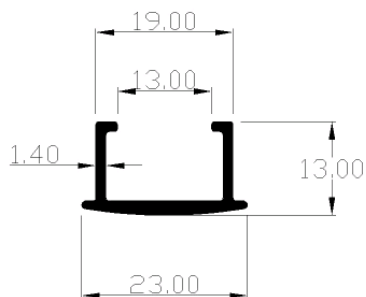
WEIGHT:- 3.019 kg/12'

INDUSTRIAL

30360

SEC. NO:-30360

8052



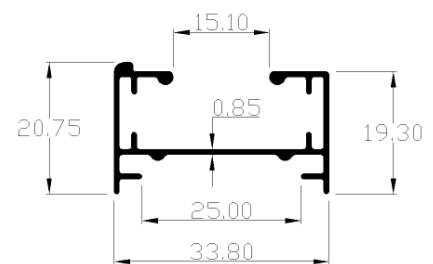
WEIGHT:- 0.720 kg/12'

INDUSTRIAL

30361

EC. NO:-30361

8053



WEIGHT:- 1.000 kg/12'

INDUSTRIAL

# Shreenathji

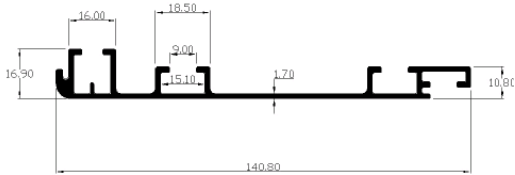
# Extrusion

30365

30366

SEC. NO:-30365

8054

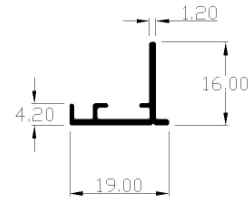


WEIGHT:- 4.382 kg/12'

INDUSTRIAL

SEC. NO:-30366

8057



WEIGHT:- 0.475 kg/12'

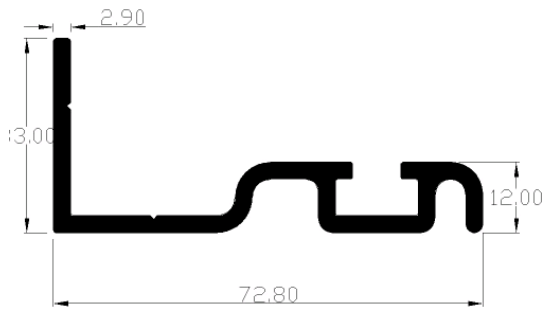
INDUSTRIAL

30367

30370

SEC. NO:-30367

8059

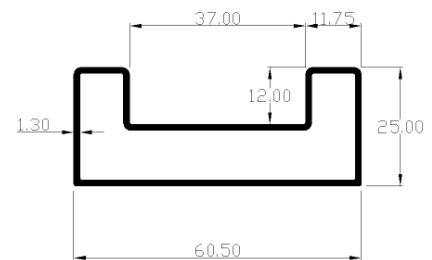


WEIGHT:- 3.980 kg/12'

INDUSTRIAL

SEC. NO:-30370

8061



WEIGHT:- 2.410 kg/12'

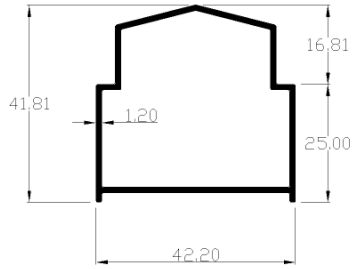
INDUSTRIAL

# Shreenathji

30371

SEC. NO:-30371

8062



WEIGHT:- 1.900 kg/12'

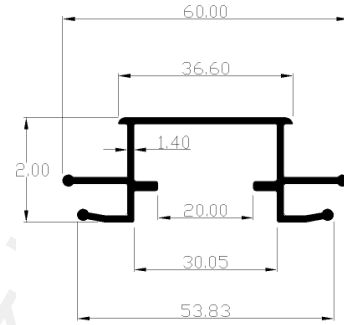
INDUSTRIAL

# Extrusion

30372

SEC. NO:-30372

8063



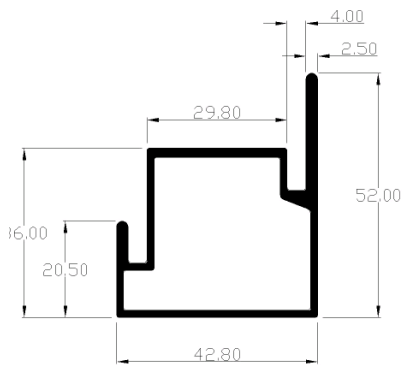
WEIGHT:- 2.000 kg/12'

INDUSTRIAL

30373

SEC. NO:-30373

8064



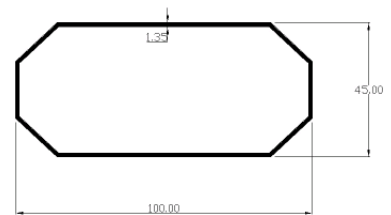
WEIGHT:- 3.310 kg/12'

INDUSTRIAL

30374

SEC. NO:-30374

8065



WEIGHT:- 3.385 kg/12'

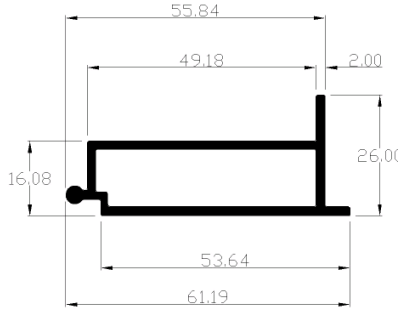
INDUSTRIAL

# Shreenathji

30381

SEC. NO:-30381

8097



WEIGHT:- 2.800 kg/12'

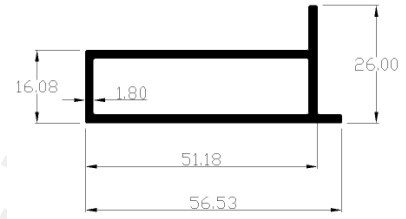
INDUSTRIAL

# Extrusion

30382

SEC. NO:-30382

8101



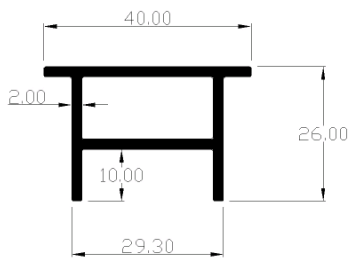
WEIGHT:- 2.682 kg/12'

INDUSTRIAL

30384

SEC. NO:-30384

8096



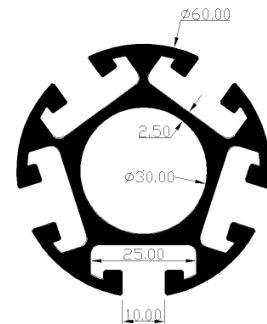
WEIGHT:- 2.236 kg/12'

INDUSTRIAL

30385

SEC. NO:-30385

8122



WEIGHT:- 9.973 kg/12'

INDUSTRIAL

# Shreenathji

# Extrusion

30389

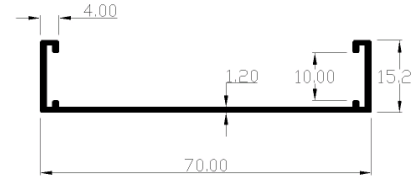
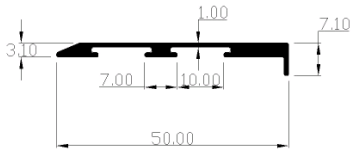
30396

SEC. NO:-30389

8112

SEC. NO:-30396

8110



WEIGHT:- 1.024 kg/12'

WEIGHT:- 1.354 kg/12'

INDUSTRIAL

INDUSTRIAL

30397

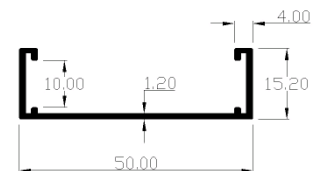
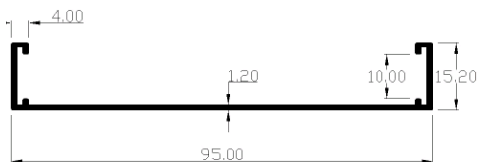
30398

SEC. NO:-30397

8109

SEC. NO:-30398

8111



WEIGHT:- 1.647 kg/12'

WEIGHT:- 1.134 kg/12'

INDUSTRIAL

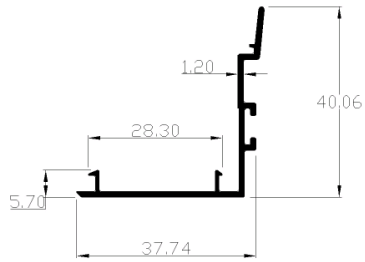
INDUSTRIAL

# Shreenathji

30399

SEC. NO:-30399

8103



WEIGHT:- 1.100 kg/12'

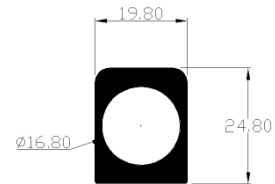
INDUSTRIAL

# Extrusion

30401

SEC. NO:-30401

8108



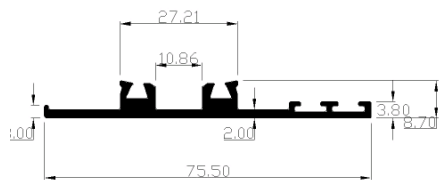
WEIGHT:- 2.635 kg/12'

INDUSTRIAL

30403

SEC. NO:-30403

8105



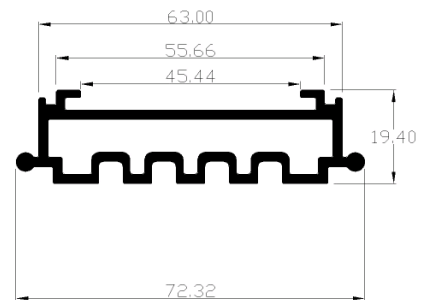
WEIGHT:- 2.232 kg/12'

INDUSTRIAL

30407

SEC. NO:-30407

8044



WEIGHT:- 4.100 kg/12'

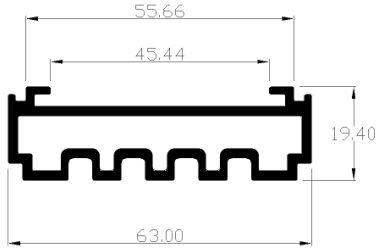
INDUSTRIAL

# Shreenathji

30408

SEC. NO:-30408

8045



WEIGHT:- 3.843 kg/12'

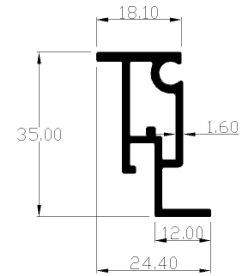
INDUSTRIAL

# Extrusion

30409

SEC. NO:-30409

8046



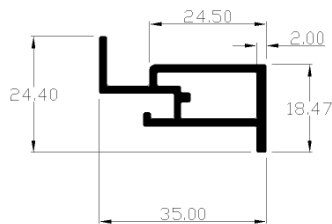
WEIGHT:- 1.800 kg/12'

INDUSTRIAL

30410

SEC. NO:-30410

8047



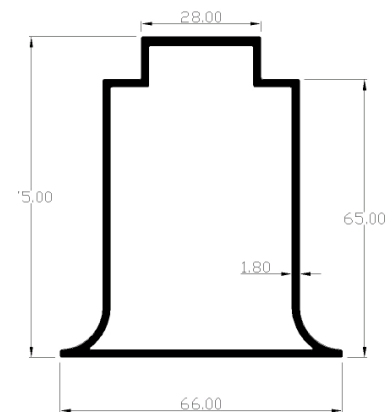
WEIGHT:- 1.705 kg/12'

INDUSTRIAL

30411

SEC. NO:-30411

8048



WEIGHT:- 4.700 kg/12'

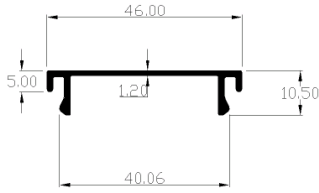
INDUSTRIAL

# Shreenathji

30415

SEC. NO:-30415

8144



WEIGHT:- 1.005 kg/12'

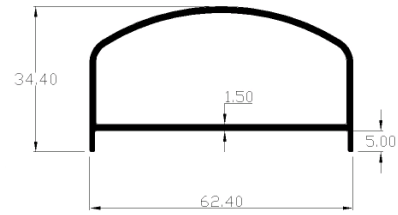
INDUSTRIAL

# Extrusion

30416

SEC. NO:-30416

8143



WEIGHT:- 2.510 kg/12'

INDUSTRIAL

30418

SEC. NO:-30418

8115



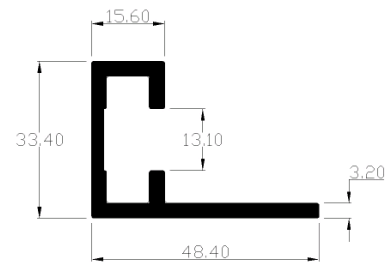
WEIGHT:- 3.385 kg/12'

INDUSTRIAL

30424

SEC. NO:-30424

8158



WEIGHT:- 3.260 kg/12'

INDUSTRIAL

# Shreenathji

# Extrusion

30425

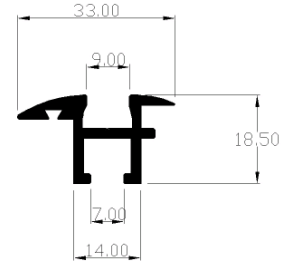
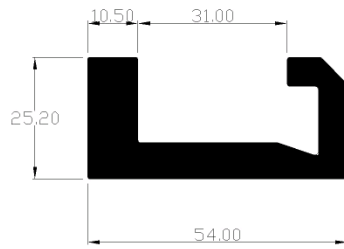
30426

SEC. NO:-30425

8173

SEC. NO:-30426

8172



WEIGHT:- 7.000 kg/12'

WEIGHT:- 1.480 kg/12'

INDUSTRIAL

INDUSTRIAL

30433

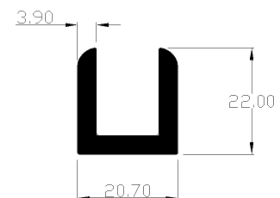
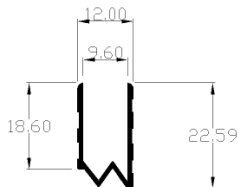
30435

SEC. NO:-30433

8183

SEC. NO:-30435

8189



WEIGHT:- 0.590 kg/12'

WEIGHT:- 2.122 kg/12'

INDUSTRIAL

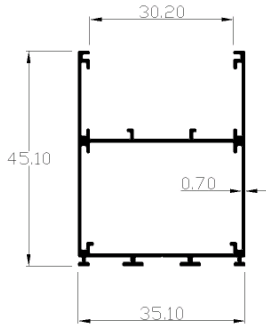
INDUSTRIAL

# Shreenathji

30442

SEC. NO:-30442

8224



WEIGHT:- 1.472 kg/12'

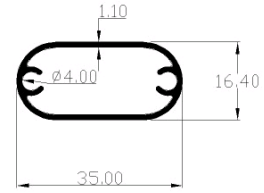
INDUSTRIAL

# Extrusion

30453

SEC. NO:-30453

8191



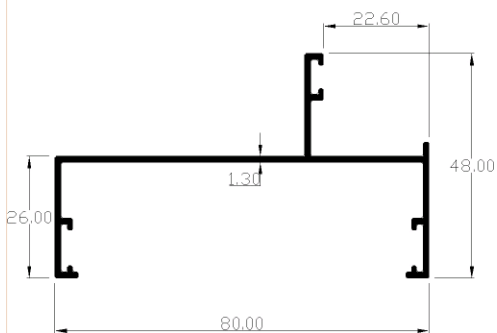
WEIGHT:- 1.140 kg/12'

INDUSTRIAL, VISHWAKARMA BHUJ

30457

SEC. NO:-30457

8201



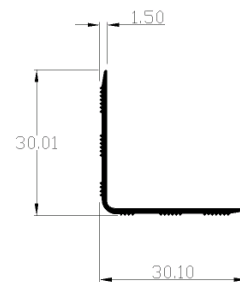
WEIGHT:- 2.290 kg/12'

INDUSTRIAL, VISHWAKARMA BHUJ

30461

SEC. NO:-30461

8194



WEIGHT:- 0.650 kg/12'

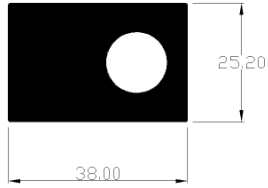
INDUSTRIAL

# Shreenathji

30460

SEC. NO:-30460

8192



WEIGHT:- 8.344 kg/12'

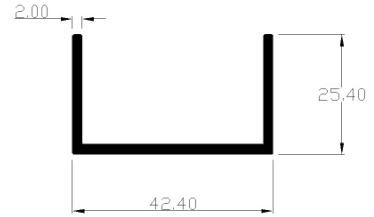
INDUSTRIAL

# Extrusion

30463

SEC. NO:-30463

8219



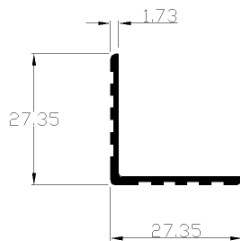
WEIGHT:- 1.830 kg/12'

INDUSTRIAL

30477

SEC. NO:-30477

8263



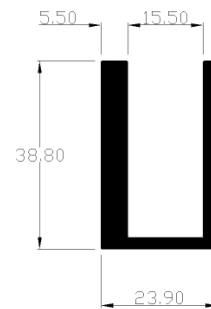
WEIGHT:- 0.750 kg/12'

INDUSTRIAL

30465

SEC. NO:-30465

8222



WEIGHT:- 3.586 kg/12'

INDUSTRIAL

# Shreenathji

# Extrusion

30481

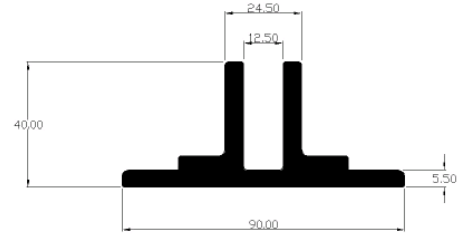
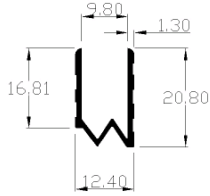
30483

SEC. NO:-30481

8264

SEC. NO:-30483

8265



WEIGHT:- 0.580 kg/12'

WEIGHT:- 10.300 kg/12'

INDUSTRIAL

INDUSTRIAL

30488

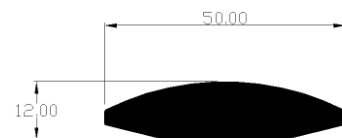
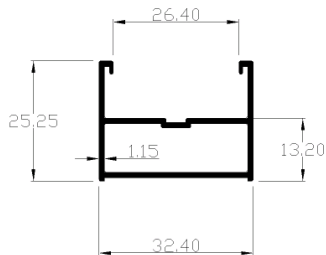
30493

SEC. NO:-30488

8257

SEC. NO:-30493

8252



WEIGHT:- 1.340 kg/12'

WEIGHT:- 4.560 kg/12'

INDUSTRIAL, MACHCHAR JALI

INDUSTRIAL

# Shreenathji

# Extrusion

30494

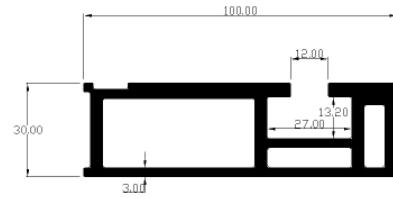
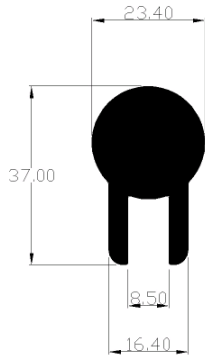
30497

SEC. NO:-30494

8253

SEC. NO:-30497

8242



WEIGHT:- 5.380 kg/12'

WEIGHT:- 11.382 kg/12'

INDUSTRIAL

INDUSTRIAL

30498

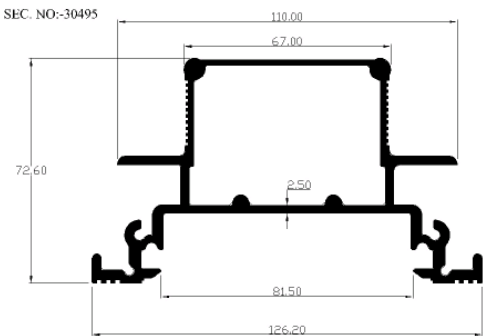
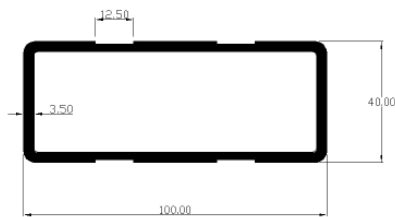
30495

SEC. NO:-30498

8243

SEC. NO:-30495

8254



WEIGHT:- 8.637 kg/12'

WEIGHT:- 11.455 kg/12'

INDUSTRIAL

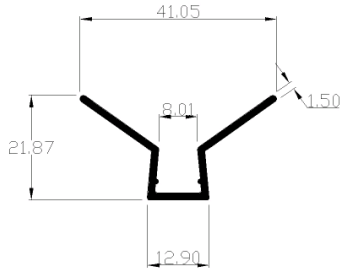
INDUSTRIAL

# Shreenathji

30501

SEC. NO:-30501

8228



WEIGHT:- 1.030 kg/12'

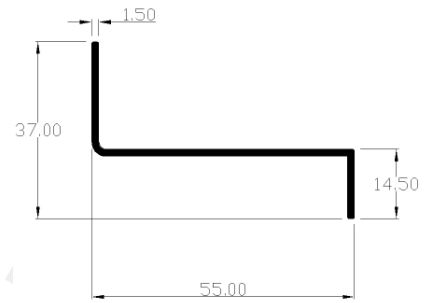
INDUSTRIAL

# Extrusion

30503

SEC. NO:-30503

8226



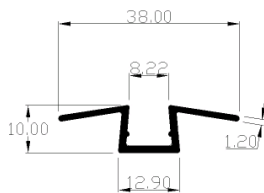
WEIGHT:- 1.340 kg/12'

INDUSTRIAL

30505

SEC. NO:-30505

8229



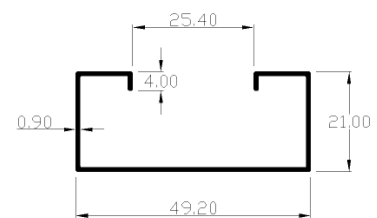
WEIGHT:- 0.760 kg/12'

INDUSTRIAL

30512

SEC. NO:-30512

8239



WEIGHT:- 1.050 kg/12'

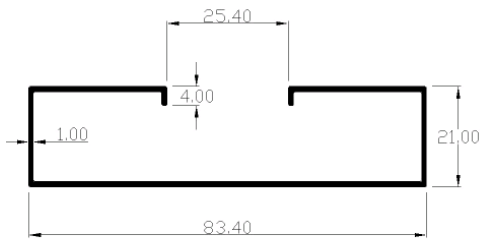
INDUSTRIAL

# Shreenathji

30513

SEC. NO:-30513

8238



WEIGHT:- 1.970 kg/12'

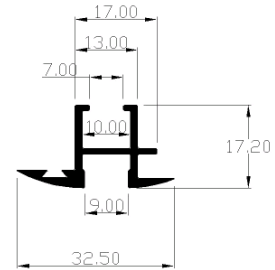
INDUSTRIAL

# Extrusion

30514

SEC. NO:-30514

8240



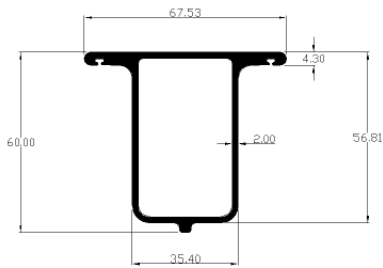
WEIGHT:- 1.065 kg/12'

INDUSTRIAL

30518

SEC. NO:-30518

8241



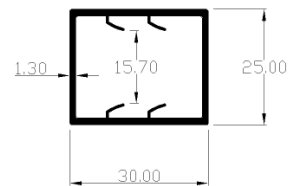
WEIGHT:- 4.860 kg/12'

INDUSTRIAL

30520

SEC. NO:-30520

8215



WEIGHT:- 1.580 kg/12'

INDUSTRIAL

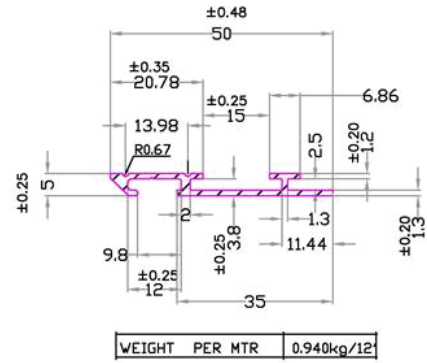
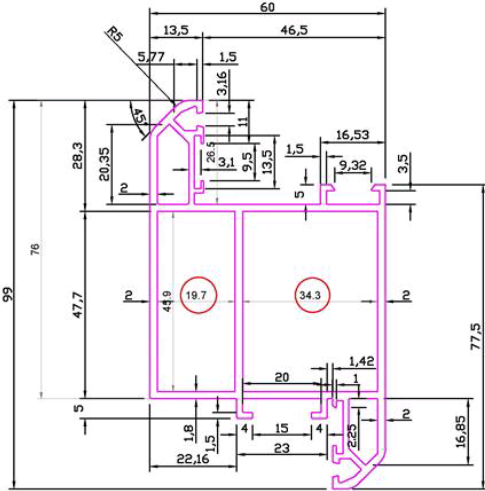


# Shreenathji

# Extrusion

43365

8011



INDUSTRIAL

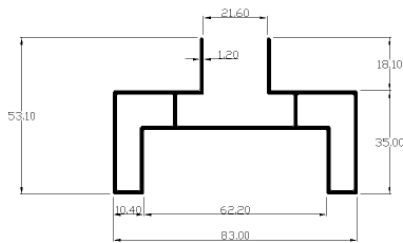
INDUSTRIAL

8015

8016

SEC. NO:-30344

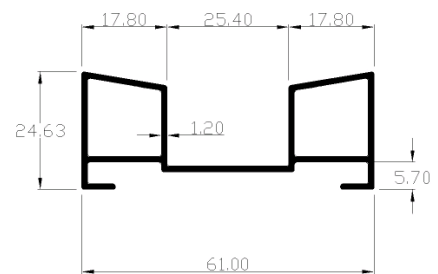
8015



INDUSTRIAL

SEC. NO:-30345

8016



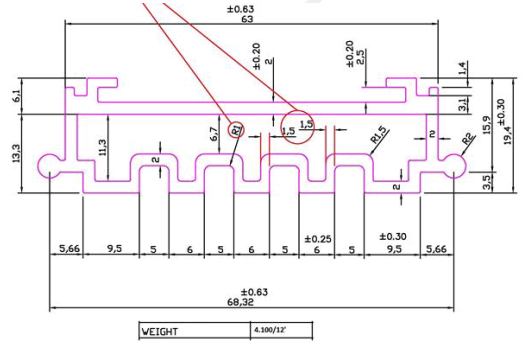
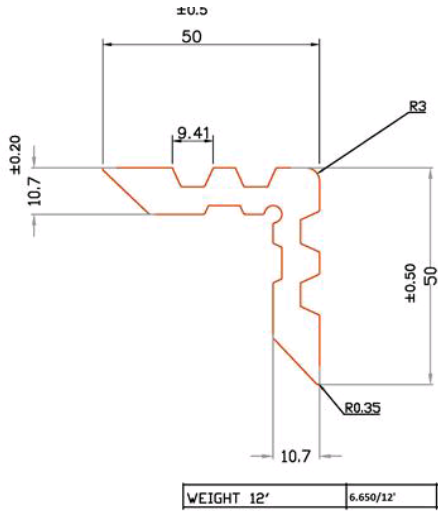
INDUSTRIAL

# Shreenathji

# Extrusion

8020

8044

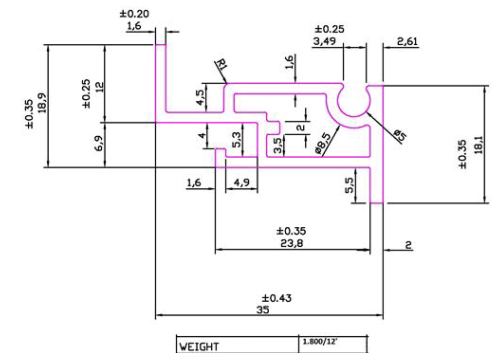
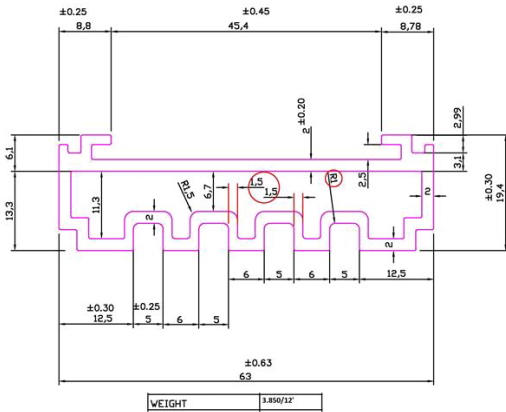


INDUSTRIAL

INDUSTRIAL

8045

8046



INDUSTRIAL

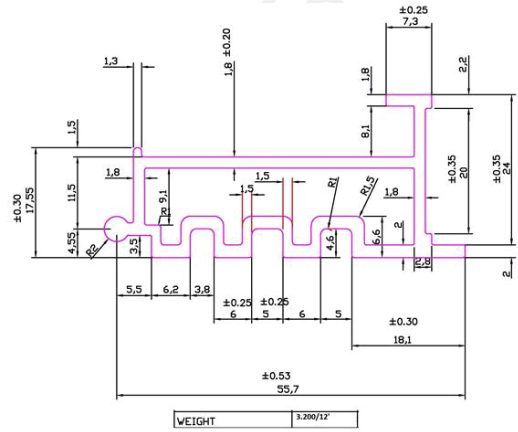
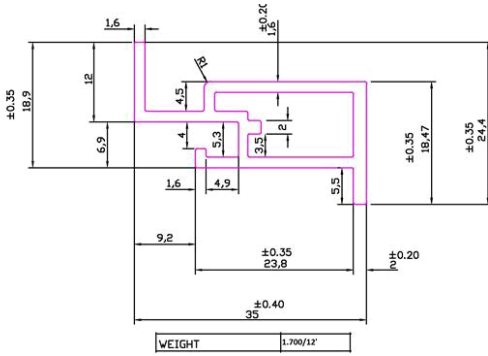
INDUSTRIAL

# Shreenathji

# Extrusion

8047

8048

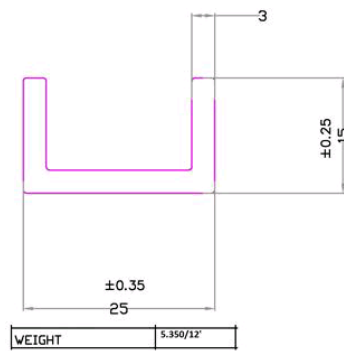
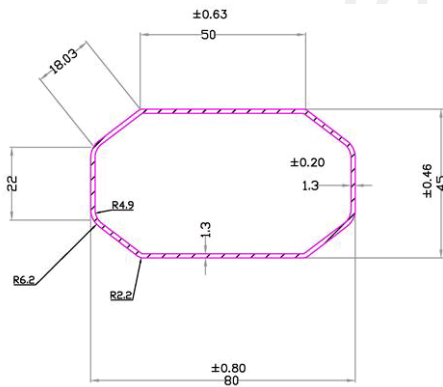


INDUSTRIAL

INDUSTRIAL

8069

8070



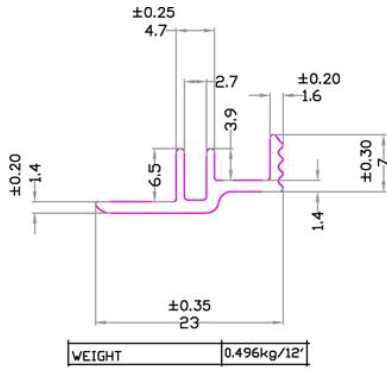
INDUSTRIAL

INDUSTRIAL

# Shreenathji

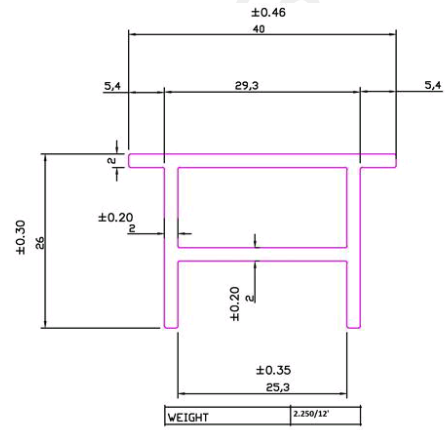
# Extrusion

8072



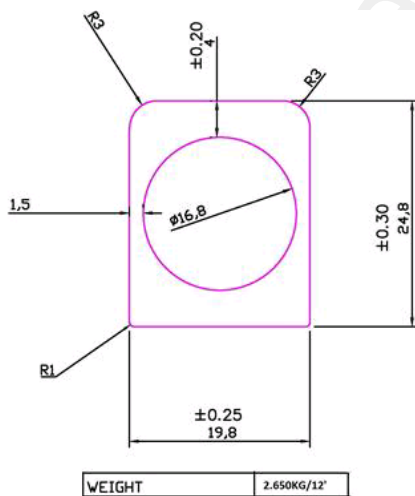
INDUSTRIAL

8096



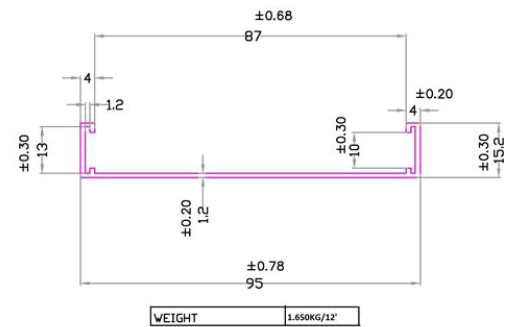
INDUSTRIAL

8108



INDUSTRIAL

8109

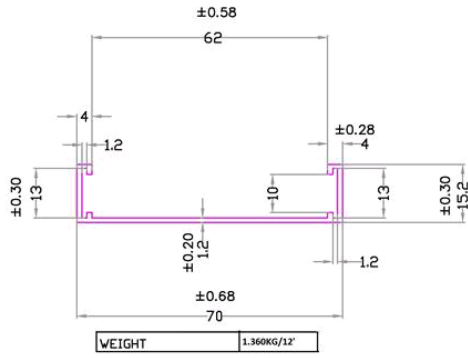


INDUSTRIAL

# Shreenathji

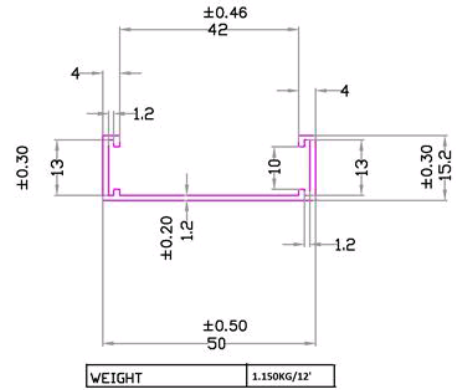
# Extrusion

8110



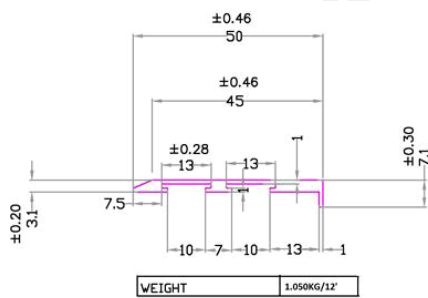
INDUSTRIAL

8111



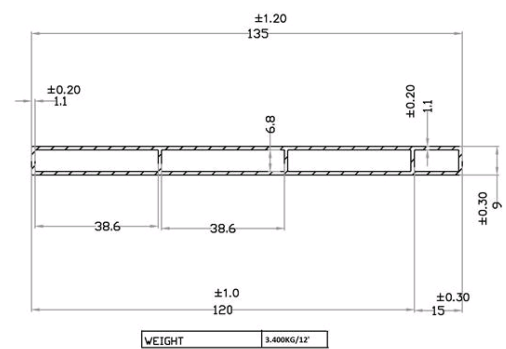
INDUSTRIAL

8112



INDUSTRIAL

8115

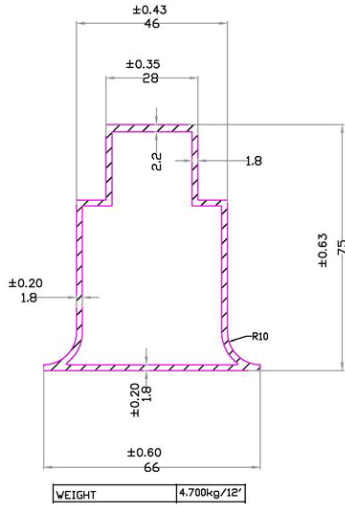


INDUSTRIAL

# Shreenathji

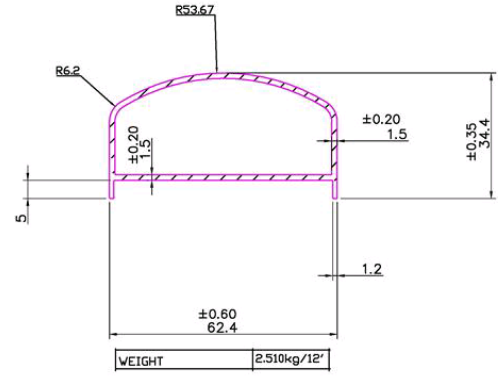
# Extrusion

8142



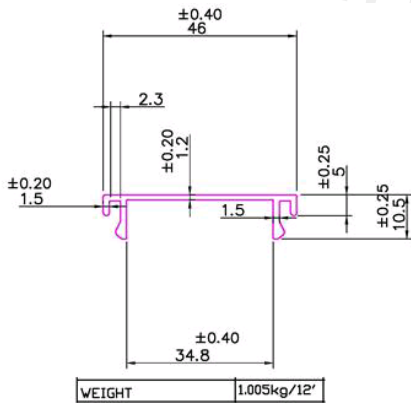
INDUSTRIAL

8143



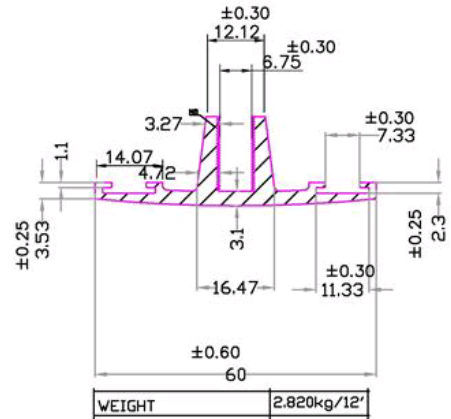
INDUSTRIAL

8144



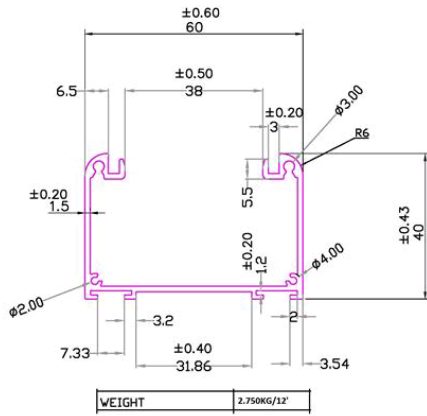
INDUSTRIAL

8145



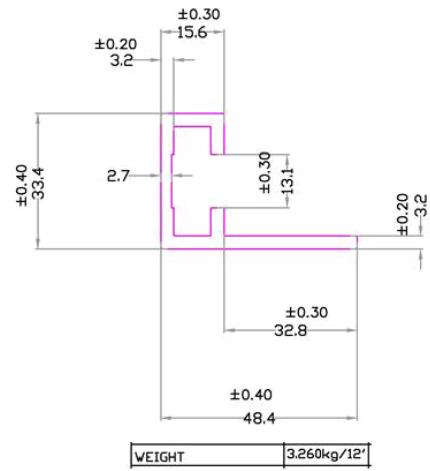
INDUSTRIAL

8146



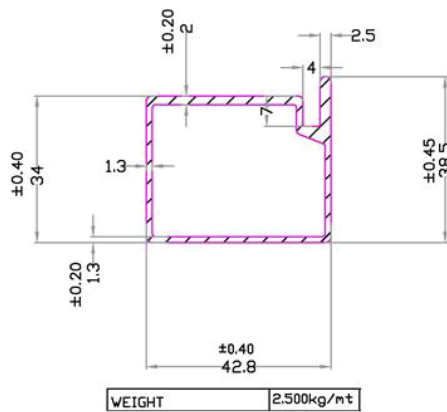
INDUSTRIAL

8158



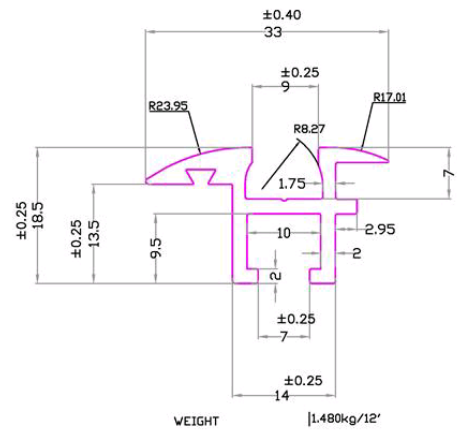
INDUSTRIAL

8169



INDUSTRIAL

8172



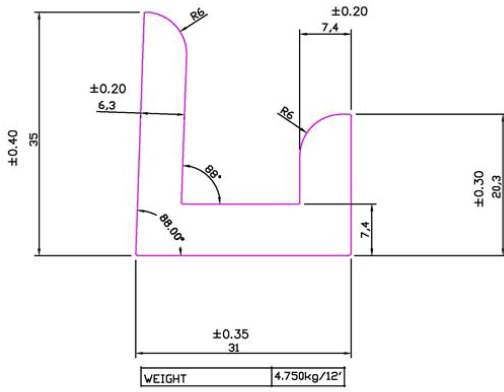
INDUSTRIAL



# Shreenathji

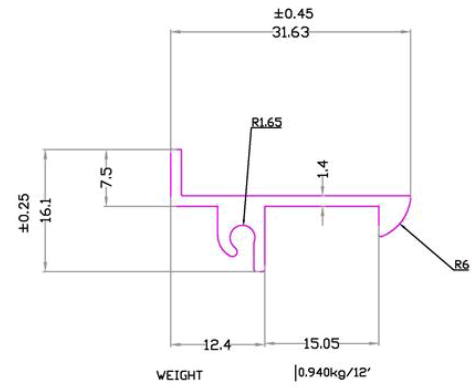
# Extrusion

8230



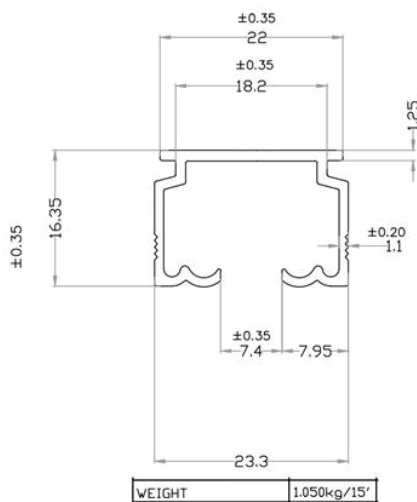
INDUSTRIAL

8236



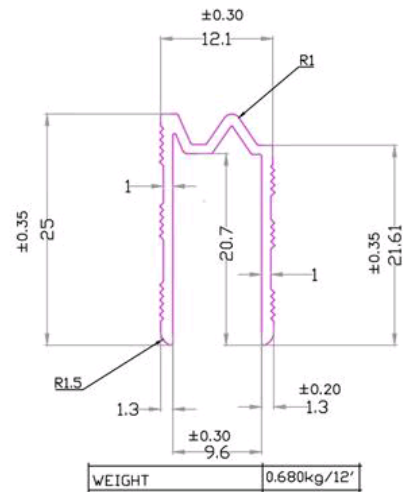
INDUSTRIAL

8244



INDUSTRIAL

8284



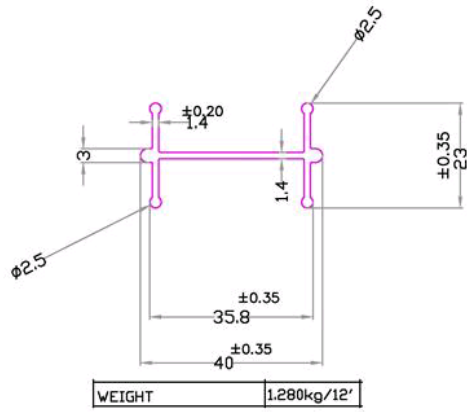
INDUSTRIAL



# Shreenathji

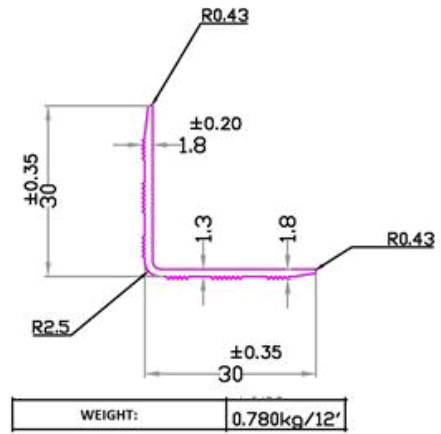
# Extrusion

8332



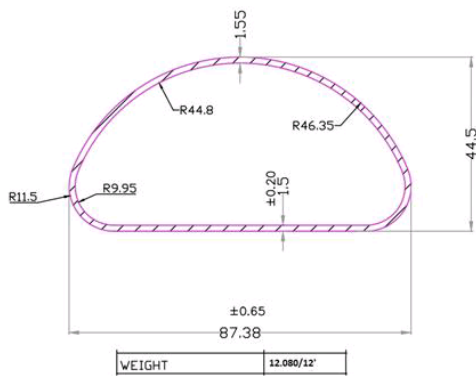
INDUSTRIAL

8333



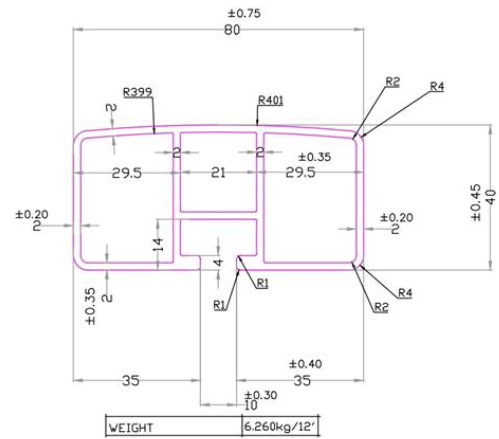
INDUSTRIAL

8334



INDUSTRIAL

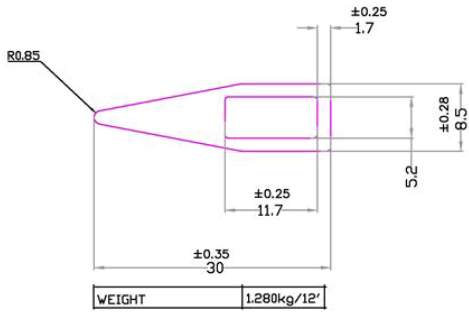
8335



INDUSTRIAL

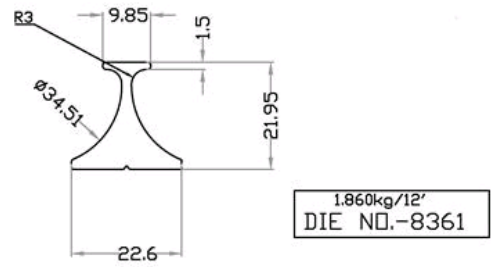


8360



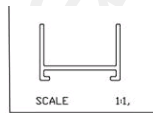
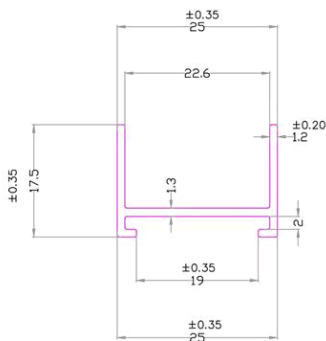
INDUSTRIAL

8361



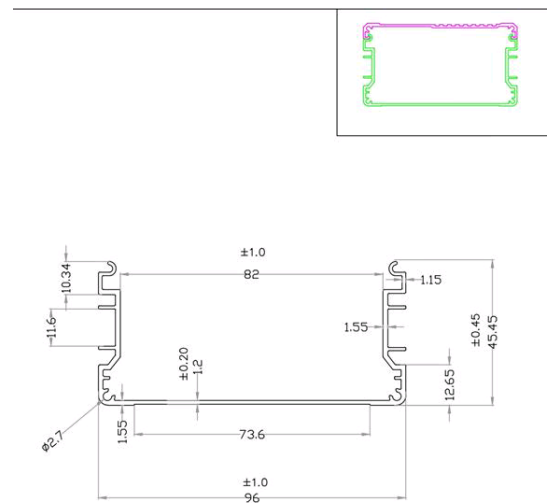
INDUSTRIAL

8370



INDUSTRIAL

8371

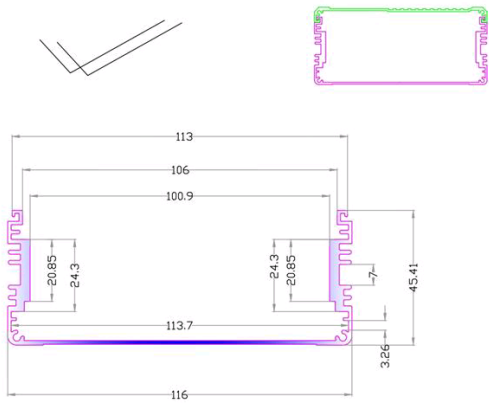


INDUSTRIAL

# Shreenathji

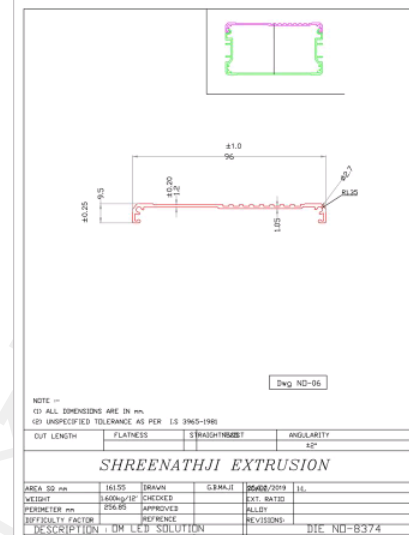
# Extrusion

8372



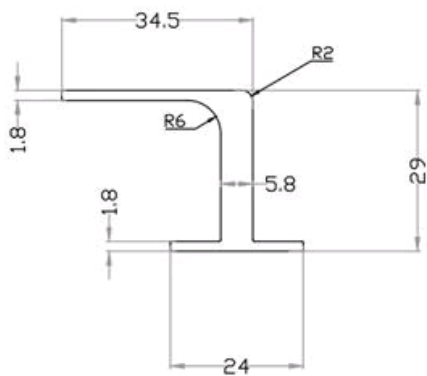
INDUSTRIAL

8374



INDUSTRIAL

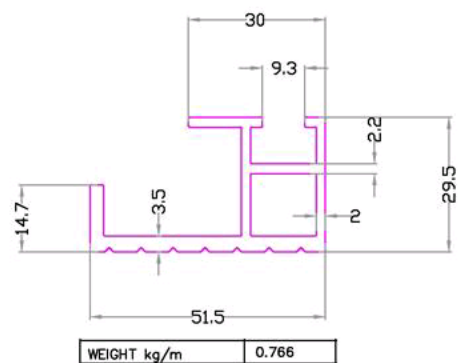
8386



DIE NO.-8386

INDUSTRIAL

8380



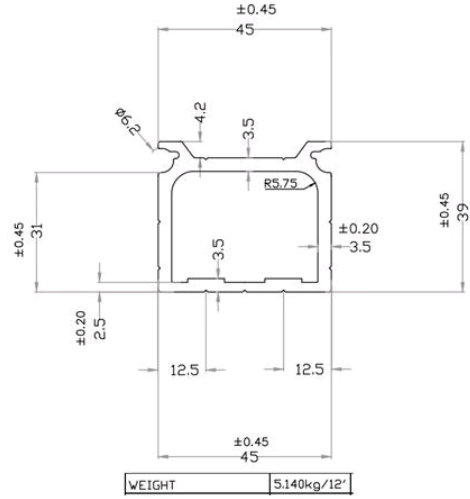
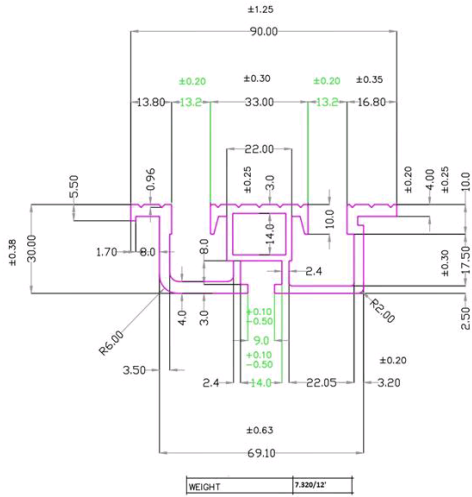
INDUSTRIAL

# Shreenathji

# Extrusion

8381

8383

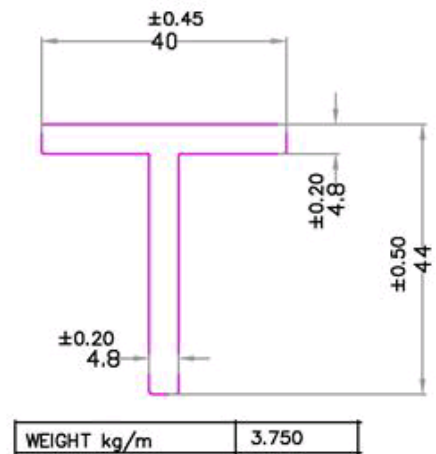
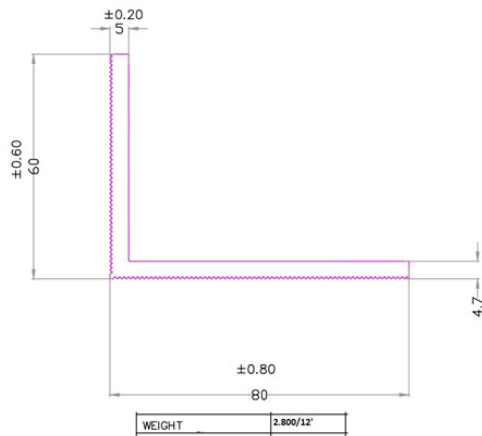


INDUSTRIAL

INDUSTRIAL

8387

8390



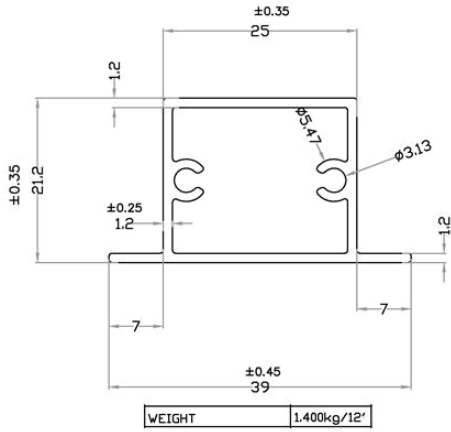
INDUSTRIAL

INDUSTRIAL

# Shreenathji

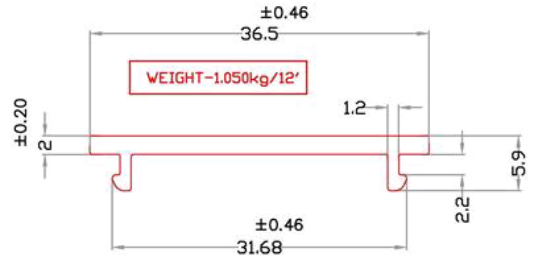
# Extrusion

8397



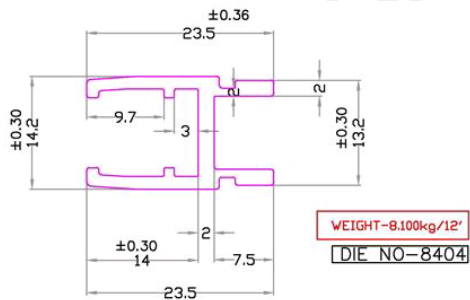
INDUSTRIAL

8403



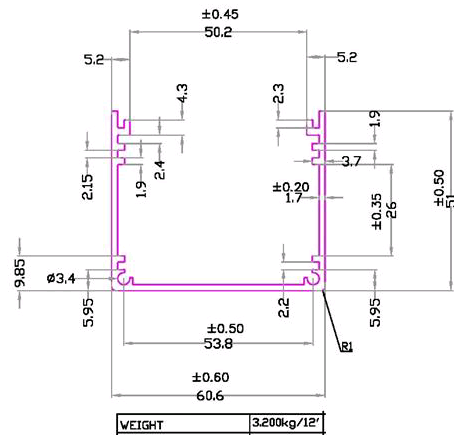
INDUSTRIAL

8404



INDUSTRIAL

8405



HIMANSHU BHA,INDUSTRIAL

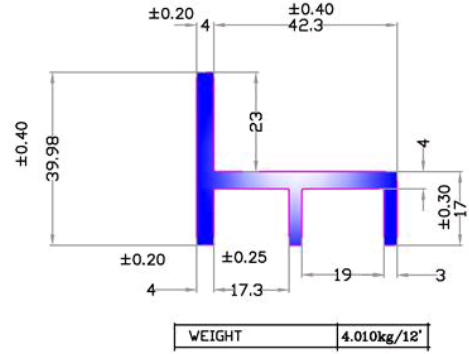
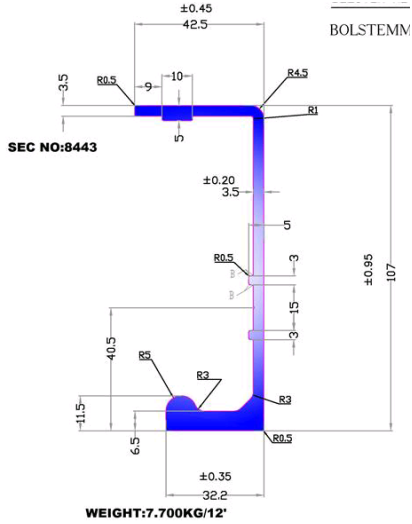


# Shreenathji

# Extrusion

8443

8456

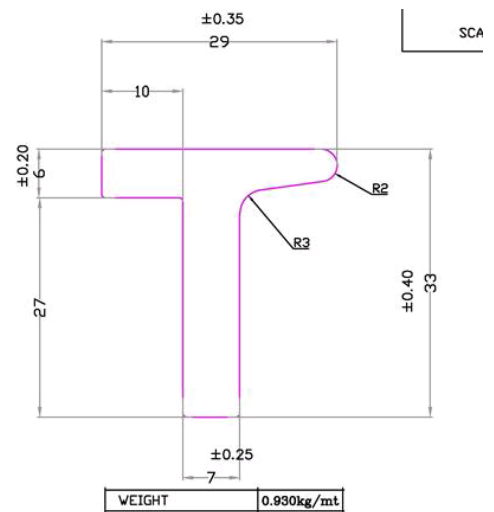
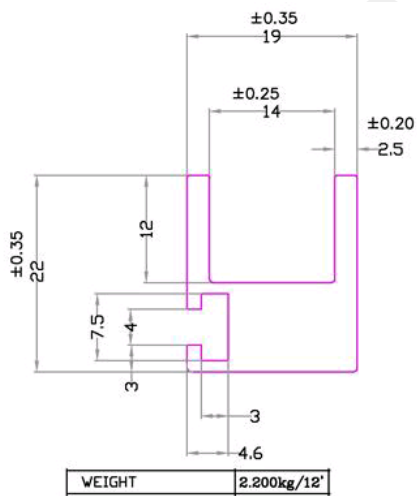


HIMANSHU BHAI, INDUSTRIAL

INDUSTRIAL

8457

8458



INDUSTRIAL

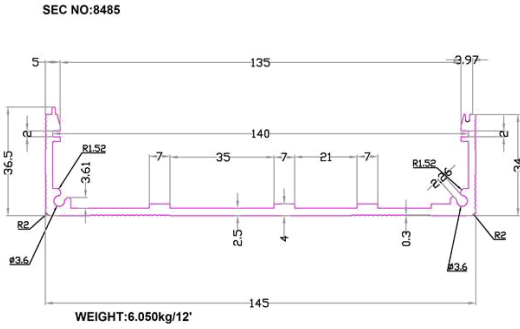
INDUSTRIAL



# Shreenathji

# Extrusion

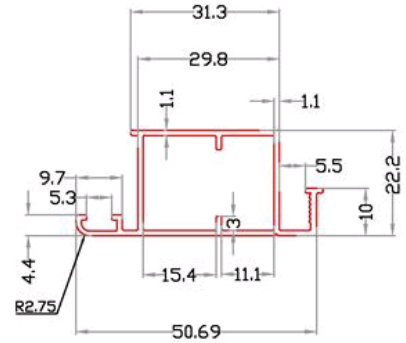
8485



HIMANSHU BHAI,INDUSTRIAL

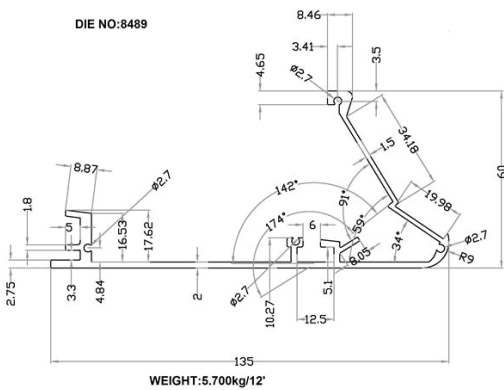
8487

SEC NO:8487



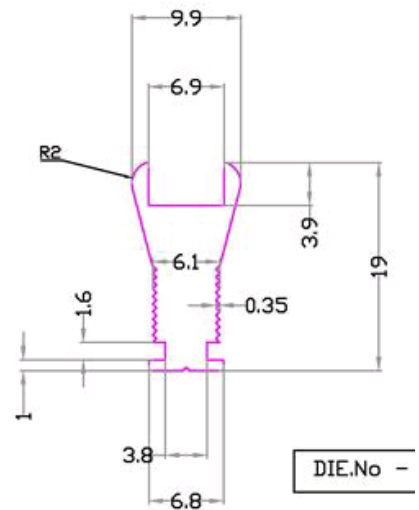
INDUSTRIAL,VISHWAKARMA BHUJ

8489



HIMANSHU BHAI,INDUSTRIAL

8488

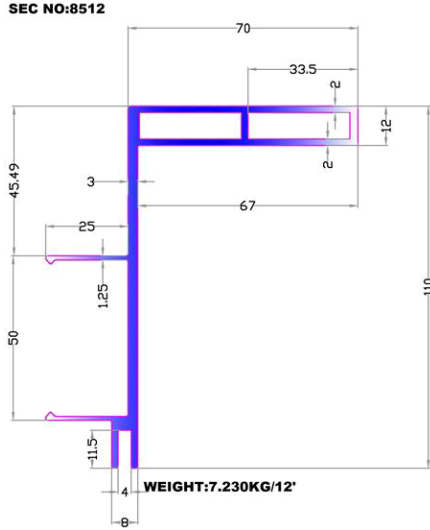


INDUSTRIAL



# Shreenathji

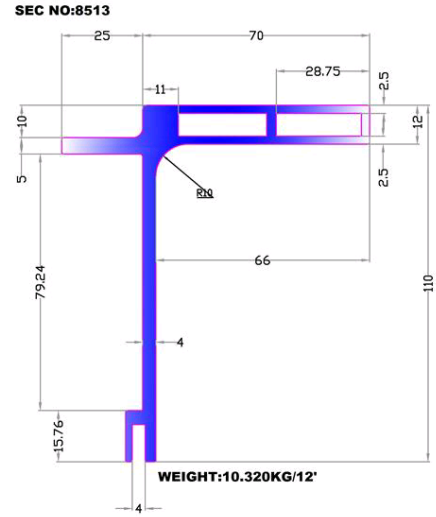
8512



INDUSTRIAL

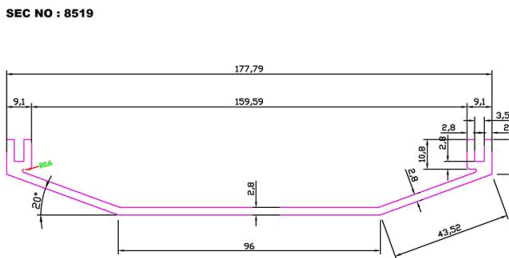
# Extrusion

8513



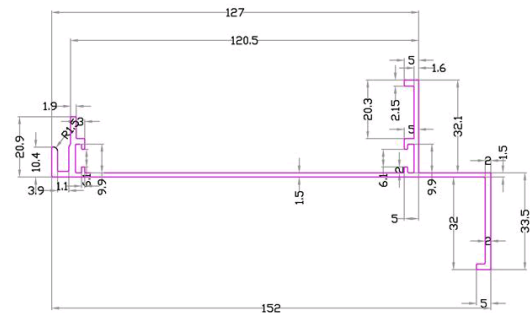
INDUSTRIAL

8519



INDUSTRIAL

8521



INDUSTRIAL

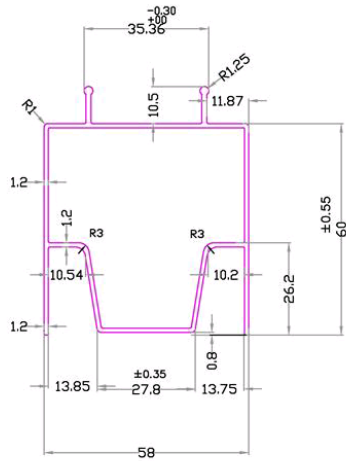




# Shreenathji

8566

SEC NO:8566

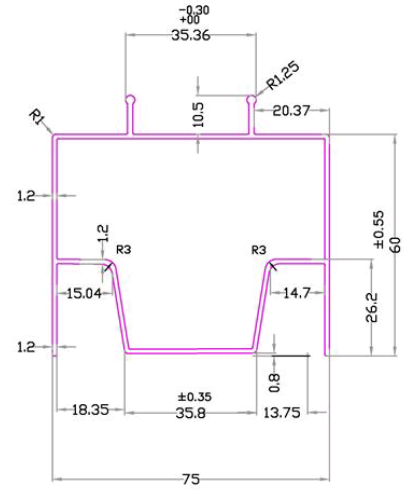


INDUSTRIAL

# Extrusion

8567

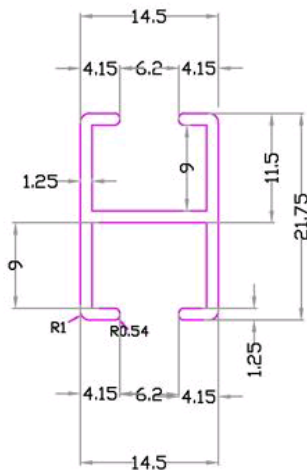
SEC NO:8567



INDUSTRIAL

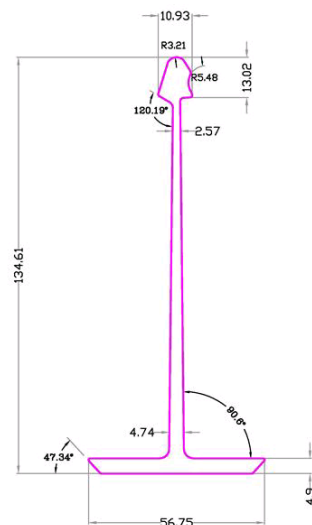
8569

SEC NO:8569



INDUSTRIAL

8574



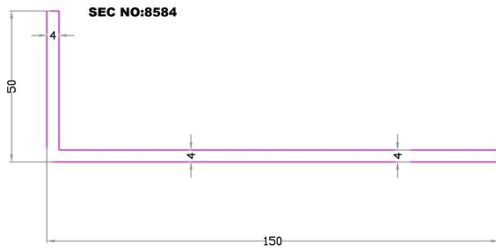
INDUSTRIAL



# Shreenathji

# Extrusion

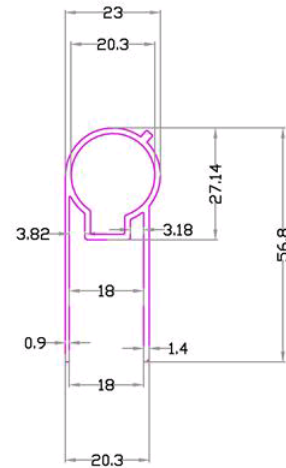
8584



INDUSTRIAL

8580

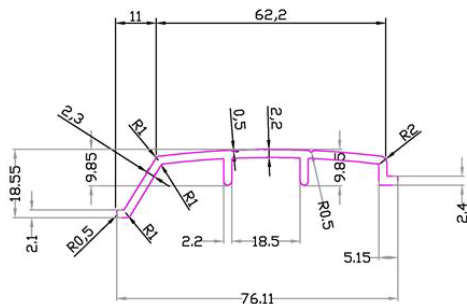
SEC NO:8580



INDUSTRIAL

8586

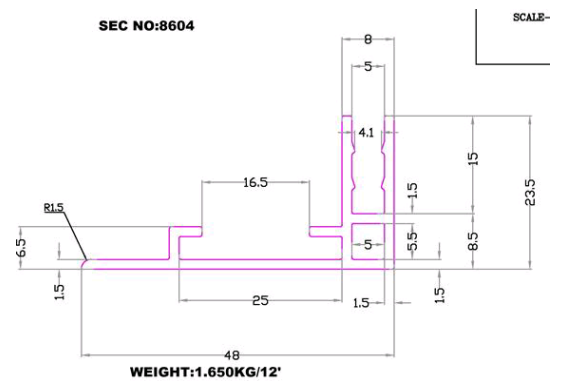
SEC NO:8586



INDUSTRIAL

8604

SEC NO:8604

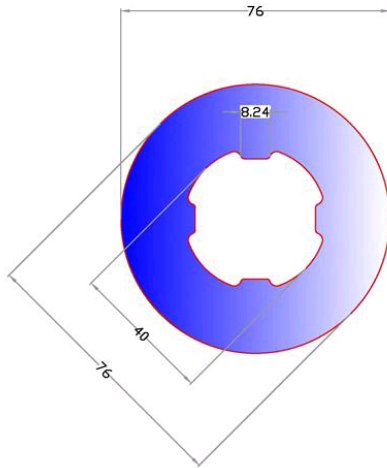


INDUSTRIAL

# Shreenathji

8605

SEC NO:8605

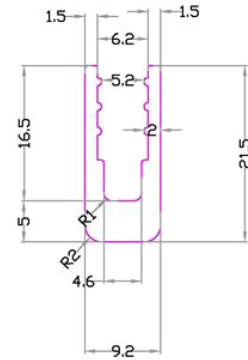


INDUSTRIAL

# Extrusion

8613

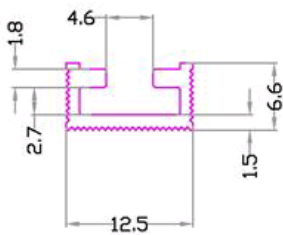
SEC NO : 8613



INDUSTRIAL

8614

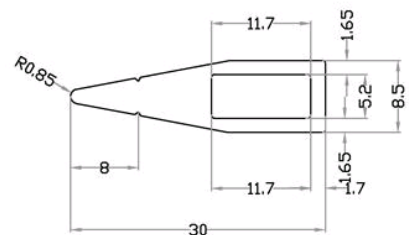
SEC NO : 8614



INDUSTRIAL

8615

SEC NO : 8615

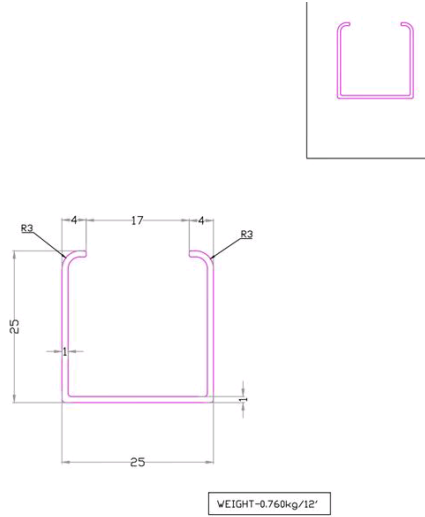


INDUSTRIAL



# Shreenathji

8628

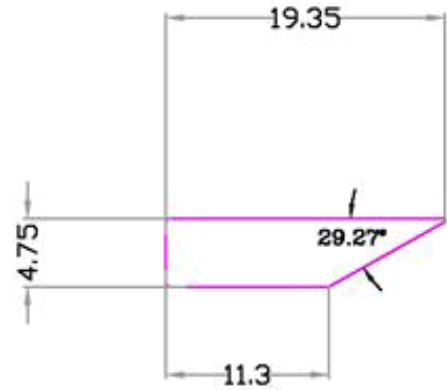


INDUSTRIAL,NA

# Extrusion

8633

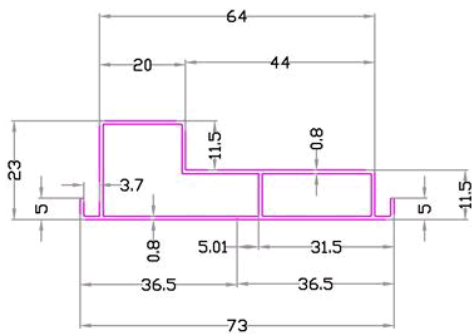
SEC NO:8633



INDUSTRIAL

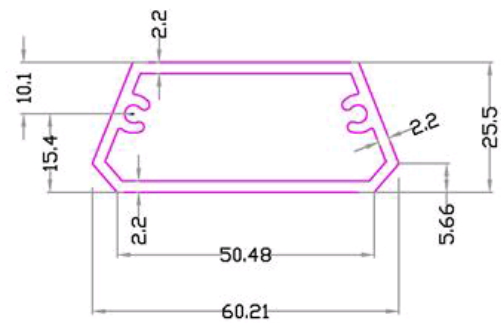
8640

SEC NO:8640



INDUSTRIAL

8644

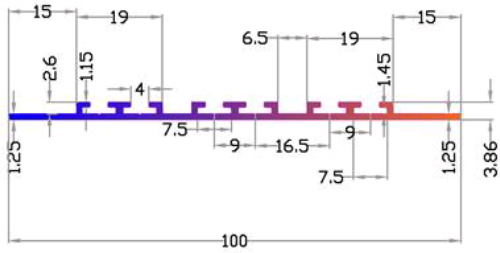


INDUSTRIAL

# Shreenathji

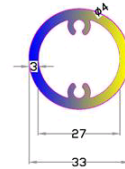
# Extrusion

8652



INDUSTRIAL

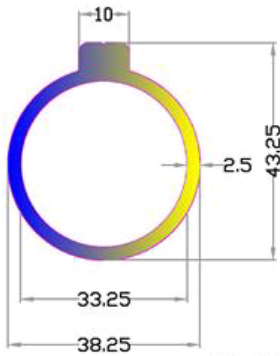
8657



DIE NO-8657  
WEIGHT-0.870kg/mt

INDUSTRIAL

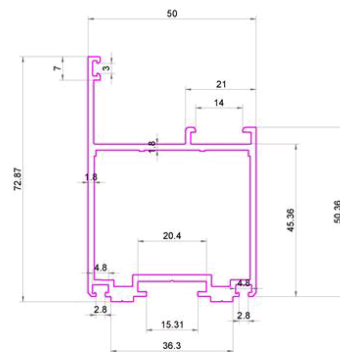
8658



DIE NO-8658  
WEIGHT-0.900kg/mt

INDUSTRIAL

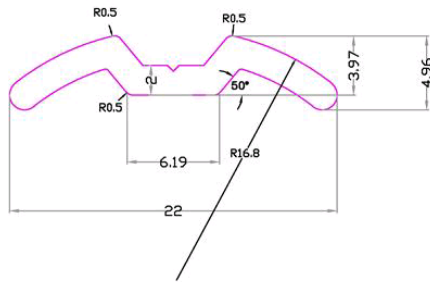
8677



INDUSTRIAL

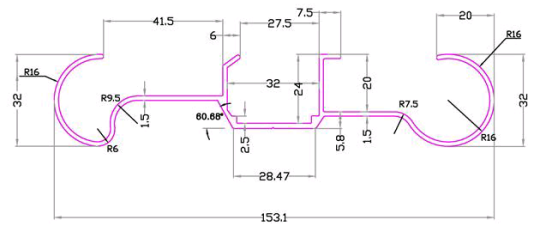


8734



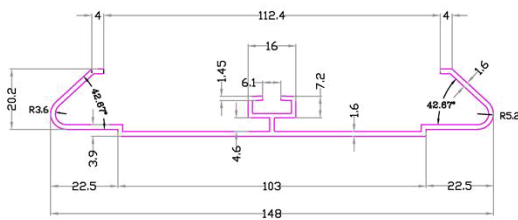
INDUSTRIAL

8735



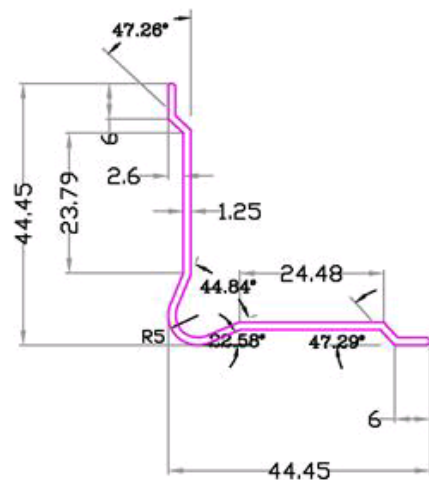
INDUSTRIAL

8736



INDUSTRIAL

8737

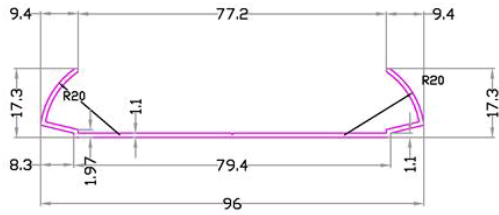


INDUSTRIAL

# Shreenathji

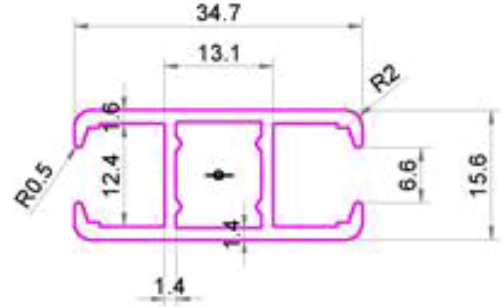
# Extrusion

8738



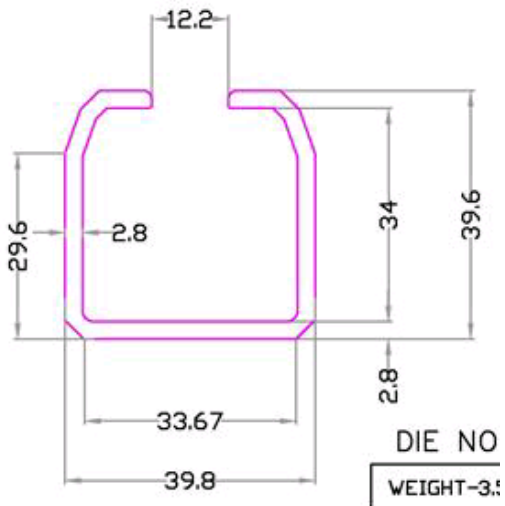
INDUSTRIAL

8742



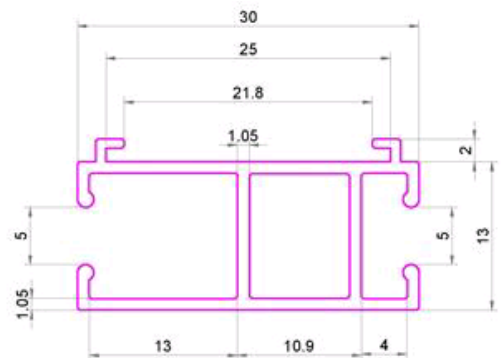
INDUSTRIAL

8743



INDUSTRIAL

8746

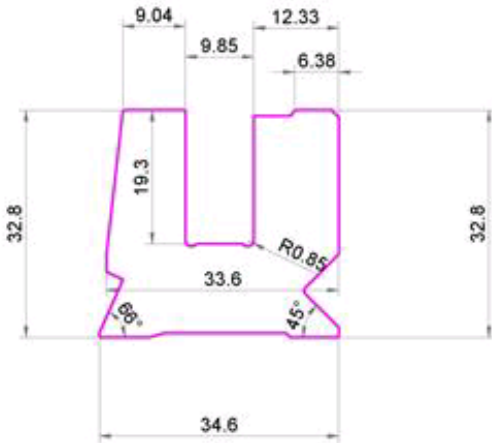


INDUSTRIAL

# Shreenathji

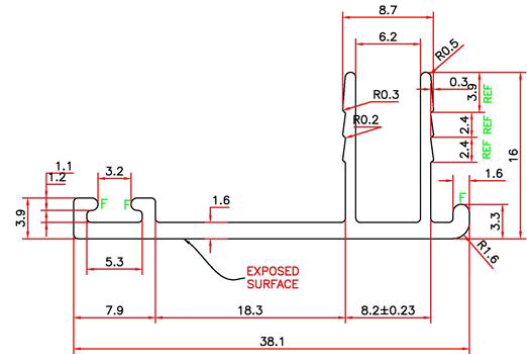
# Extrusion

8747



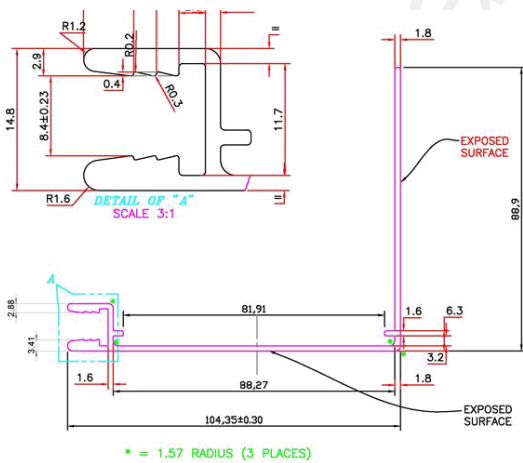
INDUSTRIAL

8755



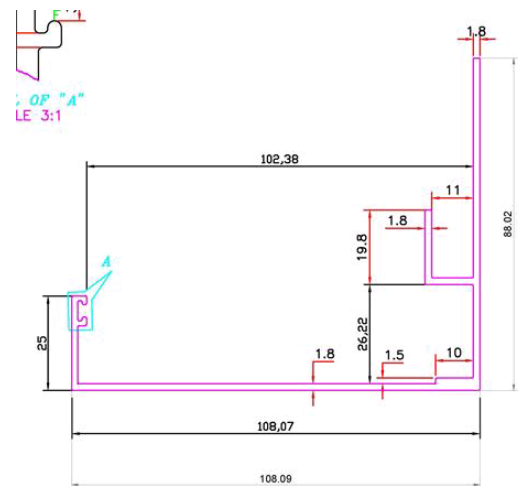
INDUSTRIAL

8756



INDUSTRIAL

8757



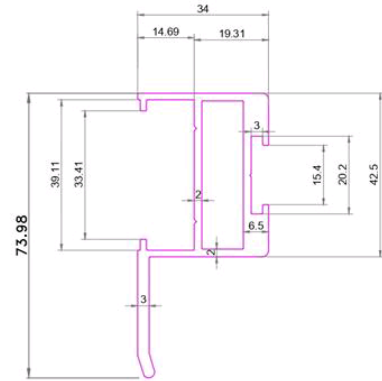
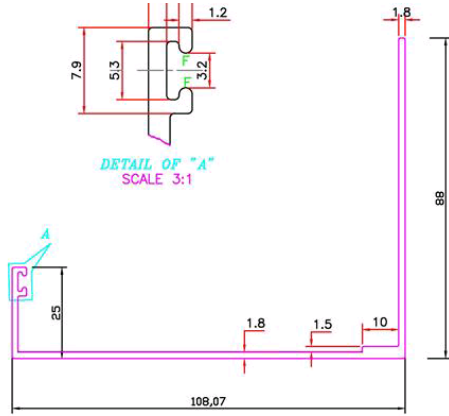
INDUSTRIAL

# Shreenathji

# Extrusion

8758

8760

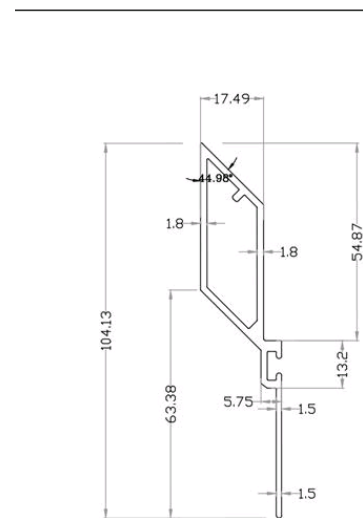
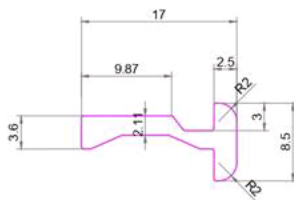


INDUSTRIAL

INDUSTRIAL,MAAHI ALU

8764

8785



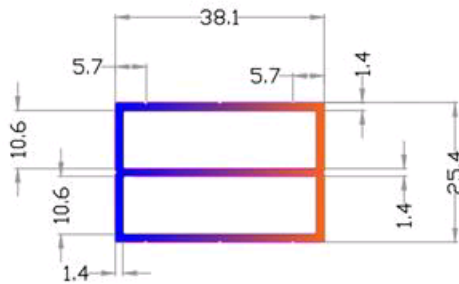
INDUSTRIAL

INDUSTRIAL

# Shreenathji

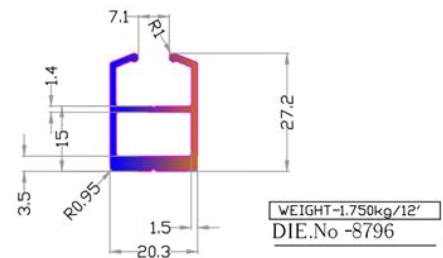
# Extrusion

8787



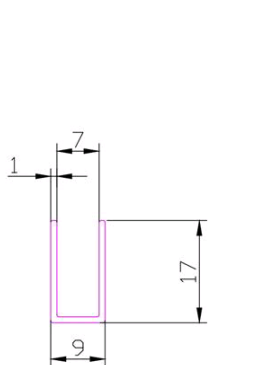
INDUSTRIAL

8796



INDUSTRIAL

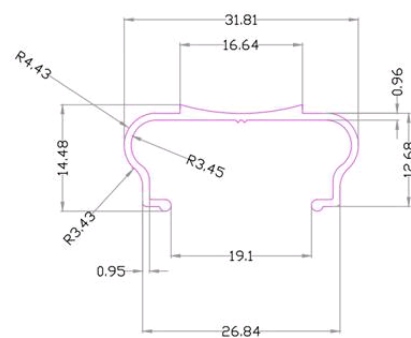
8805



DIE NO-8805  
WEIGHT-0.410kg/12'

INDUSTRIAL,NA

8806



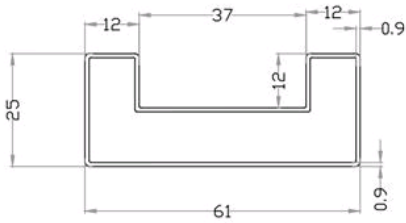
DIE.No -8806  
WEIGHT -0.720kg/4mt

INDUSTRIAL

# Shreenathji

# Extrusion

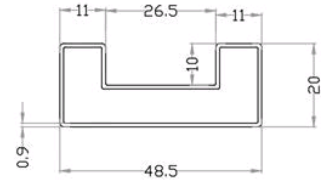
8804



DIE NO-8804  
WEIGHT- 1.700kg/12'

INDUSTRIAL

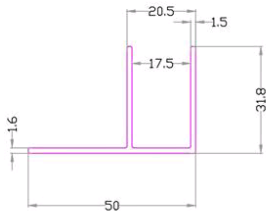
8803



DIE NO-8803  
WEIGHT-1.360kg/12'

INDUSTRIAL

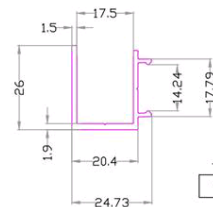
8810



DIE.No -8810  
WT-1.700Kg/12'

INDUSTRIAL

8811



DIE.No -8811  
WT-1.200Kg/12'

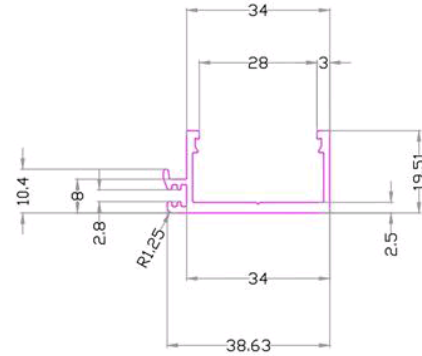
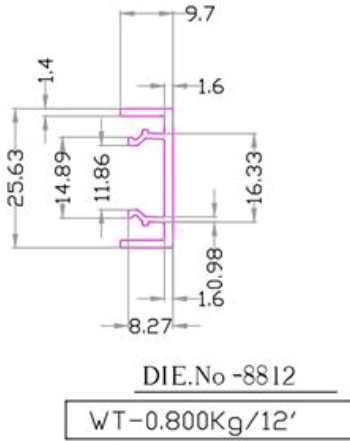
INDUSTRIAL

# Shreenathji

# Extrusion

8812

8833

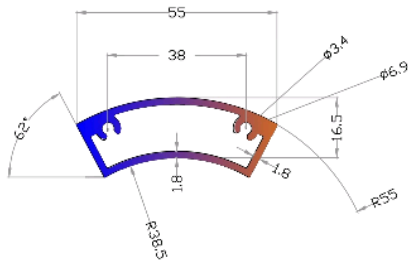


INDUSTRIAL

DUMBHAL ,INDUSTRIAL

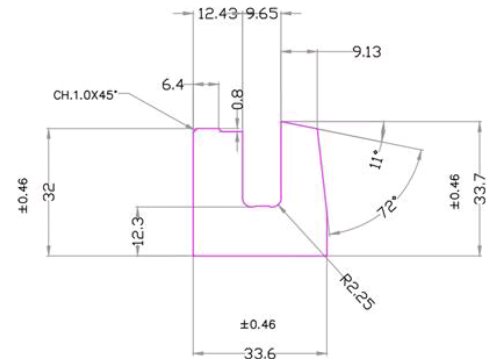
8835

8836



DIE NO:-8835  
WEIGHT: 2.850 KG/12'

INDUSTRIAL

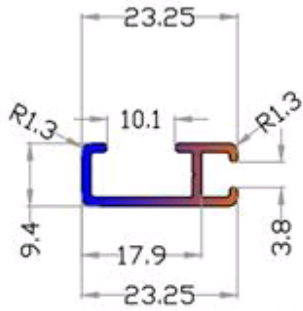


INDUSTRIAL

# Shreenathji

# Extrusion

8840

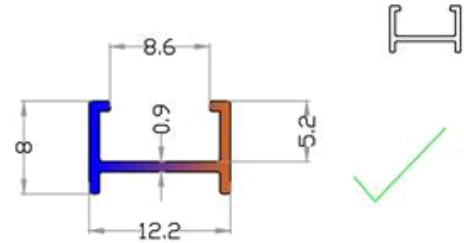


DIE.No -8840

WEIGHT-0.700kg/12'

INDUSTRIAL,NA

8842

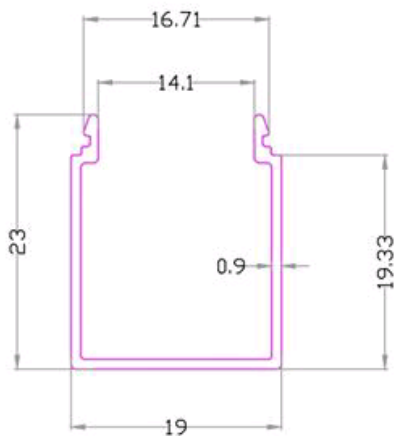


DIE.No -8842

WEIGHT-0.250kg/12'

INDUSTRIAL,NA

8846

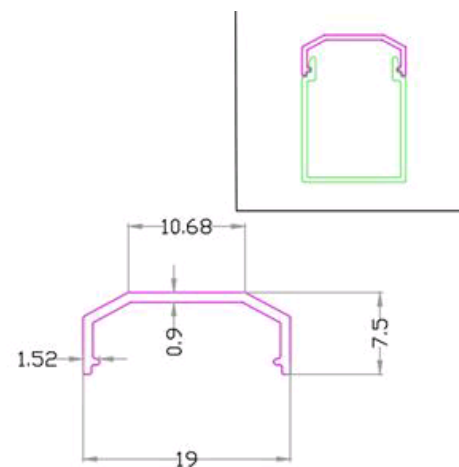


DIE.No -8846

WEIGHT-0.600kg/12'

INDUSTRIAL,NA

8847



DIE.No -8847

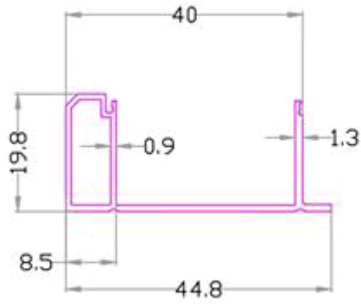
WEIGHT-0.260kg/12'

INDUSTRIAL,NA

# Shreenathji

# Extrusion

8848

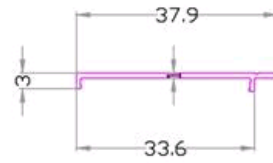
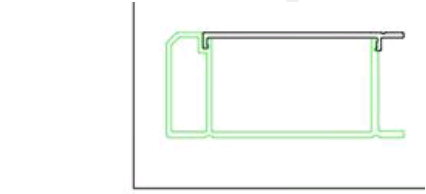


DIE.No -8848

WEIGHT-1.100kg/12'

INDUSTRIAL,NA

8849

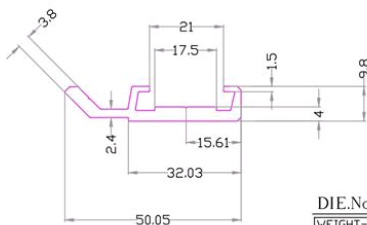


DIE.No -8849

WEIGHT-0.400kg/12'

INDUSTRIAL,NA

8850

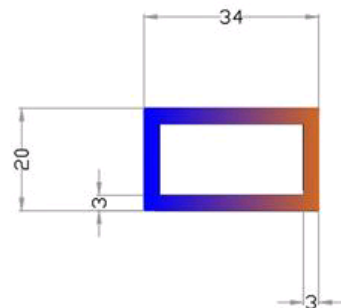


DIE.No -8850

WEIGHT-2.100kg/12'

INDUSTRIAL,MAAHI ALU

8852



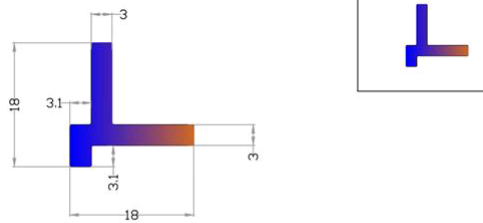
WEIGHT 2.800kg/12'

INDUSTRIAL,RECT TUBE

# Shreenathji

# Extrusion

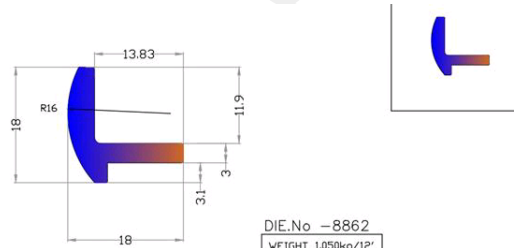
8861



DIE.No -8861  
WEIGHT 1.000kg/12'

INDUSTRIAL

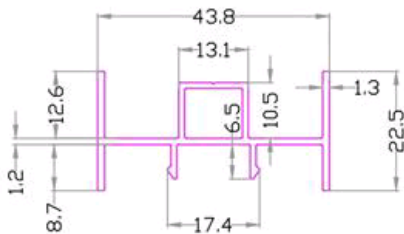
8862



DIE.No -8862  
WEIGHT 1.050kg/12'

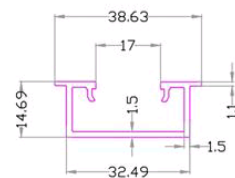
INDUSTRIAL

8872



INDUSTRIAL

8874



DIE.No -8874  
WEIGHT -1.250kg/12'

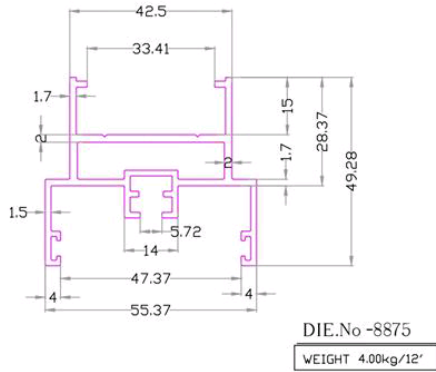
INDUSTRIAL,MAAHI ALU

# Shreenathji

# Extrusion

8875

8879

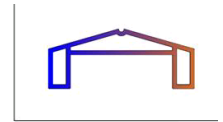
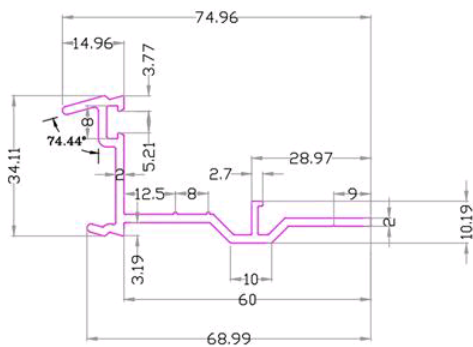


INDUSTRIAL,MAAHI ALU

INDUSTRIAL

8880

8881



DIE.No -8881

INDUSTRIAL

INDUSTRIAL

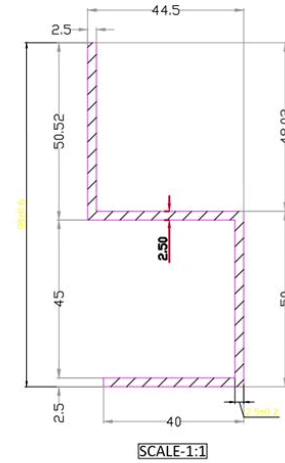
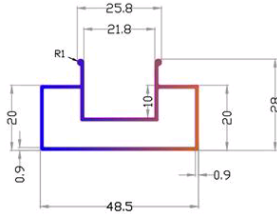
# Shreenathji

# Extrusion

8882

8883

DIE.No -8882

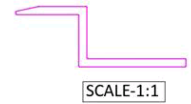
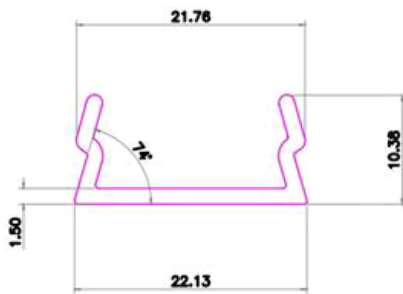


INDUSTRIAL

INDUSTRIAL

8884

8885



INDUSTRIAL

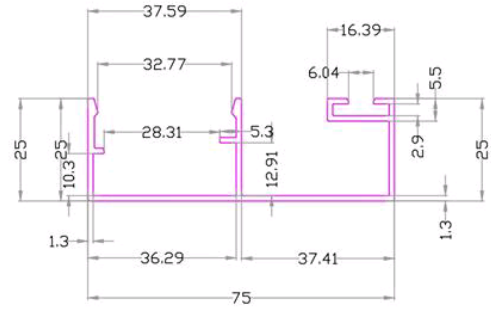
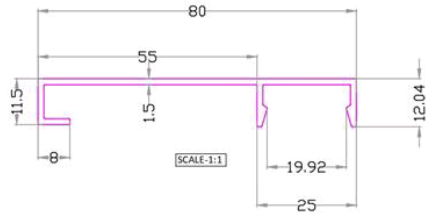
INDUSTRIAL

# Shreenathji

# Extrusion

8886

8887

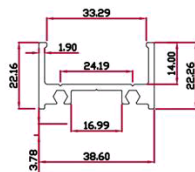
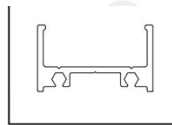


INDUSTRIAL

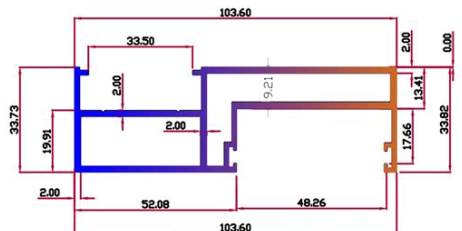
INDUSTRIAL

8888

8889



DIE NO-8888  
WT-2.00Kg/12"



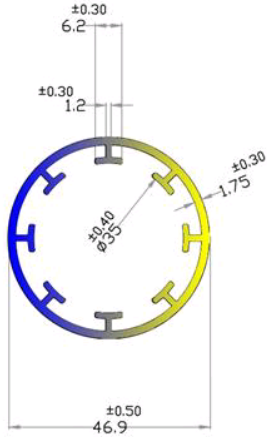
DIE NO-8889  
WT-6.35Kg/12"

INDUSTRIAL,MAAHI ALU

INDUSTRIAL,MAAHI ALU

# Shreenathji

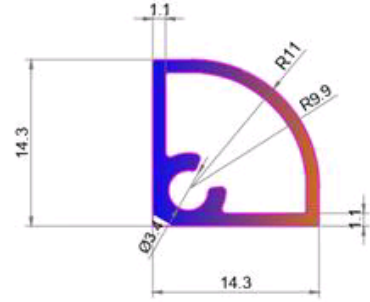
8900



INDUSTRIAL

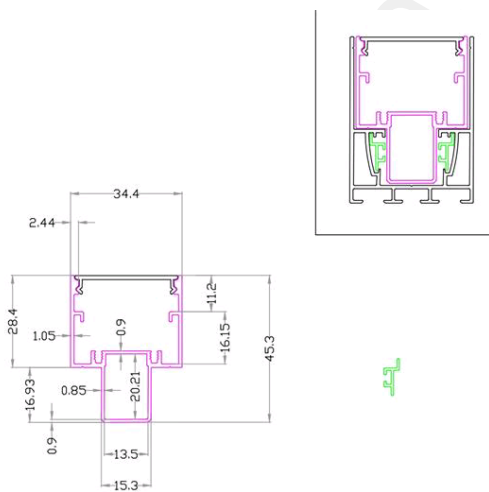
# Extrusion

8909



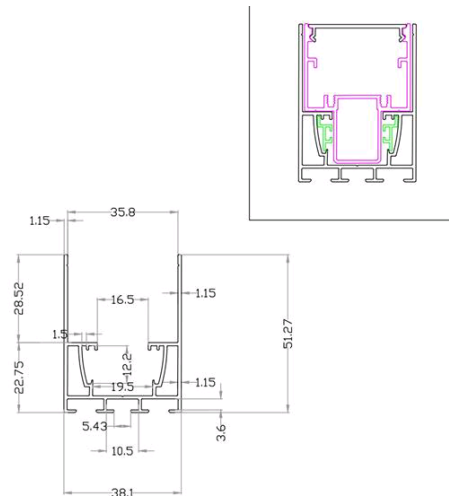
INDUSTRIAL

8910



INDUSTRIAL

8911

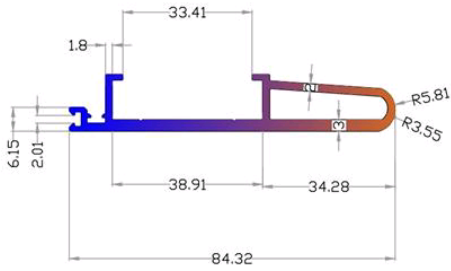


INDUSTRIAL

# Shreenathji

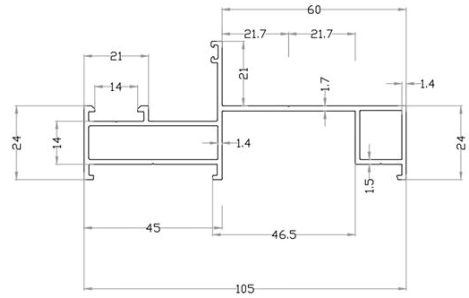
# Extrusion

8917



INDUSTRIAL

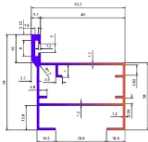
8921



INDUSTRIAL

8924

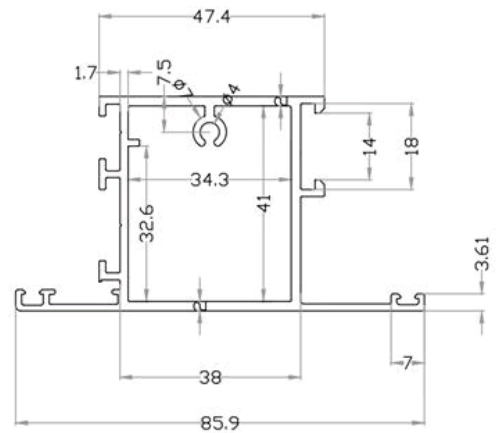
8924



DIE NO : 8924 WEIGHT : 3.130 KGS/12'

INDUSTRIAL

8927

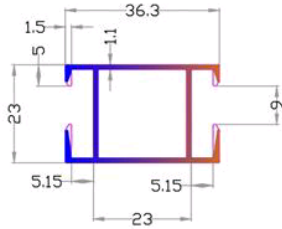


INDUSTRIAL,MAAHI ALU

# Shreenathji

# Extrusion

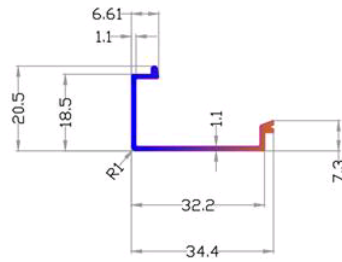
8932



DIE NO-8932  
WEIGHT-1.600kg/12'

INDUSTRIAL

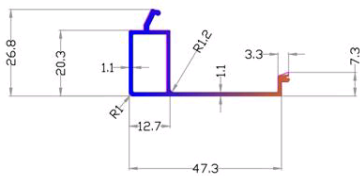
8933



DIE NO-8933  
WEIGHT-0.750kg/12'

INDUSTRIAL

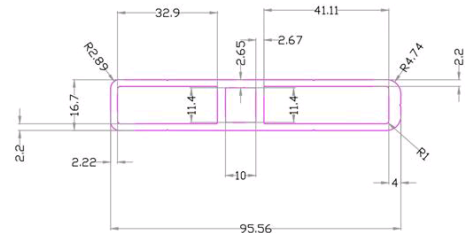
8934



DIE NO-8934  
WEIGHT-1.350kg/12'

INDUSTRIAL

8939

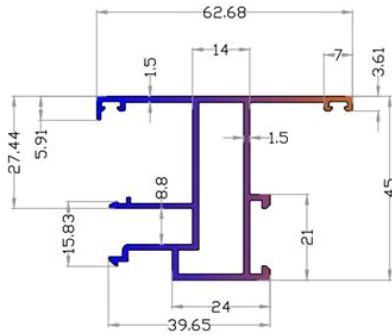


INDUSTRIAL,MAAHI ALU

# Shreenathji

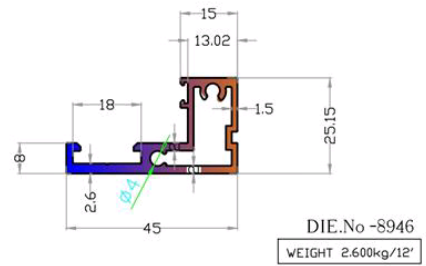
# Extrusion

8945



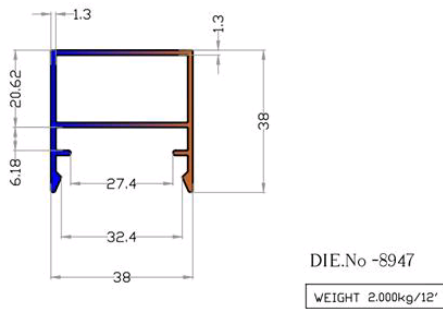
INDUSTRIAL,MAAHI ALU

8946



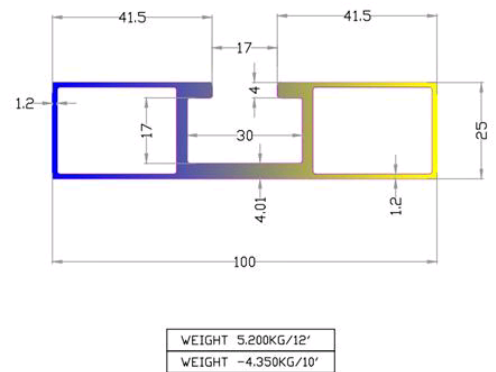
INDUSTRIAL,MAAHI ALU

8947



INDUSTRIAL,MAAHI ALU

8958

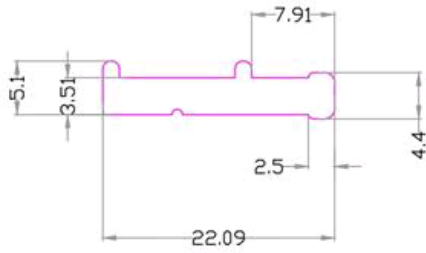


INDUSTRIAL

# Shreenathji

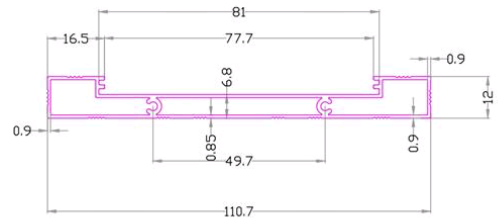
# Extrusion

8960



FLAT BAR, INDUSTRIAL

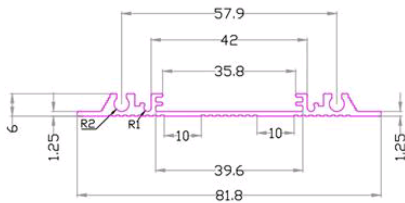
8961



WEIGHT 0.700kg/MT

INDUSTRIAL

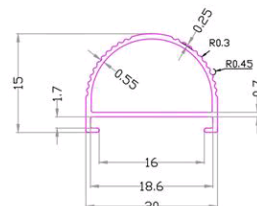
8962



WEIGHT 0.460kg/MT

INDUSTRIAL

8964



WEIGHT 0.115kg/MT

INDUSTRIAL, KITCHEN PROFILE

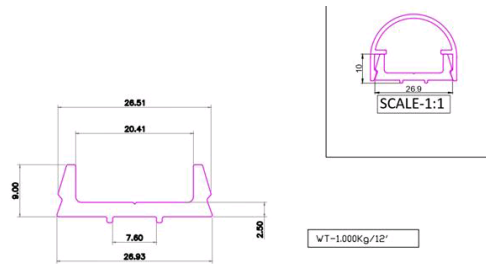




# Shreenathji

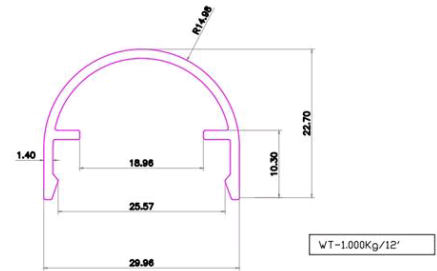
# Extrusion

8985



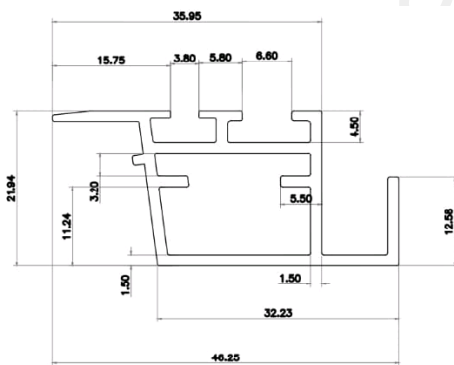
INDUSTRIAL

8984



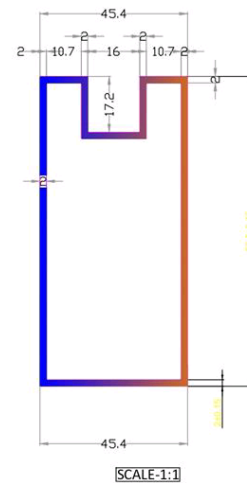
INDUSTRIAL

8987



INDUSTRIAL

8988



HI FEB, INDUSTRIAL

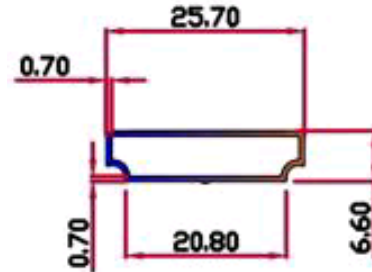
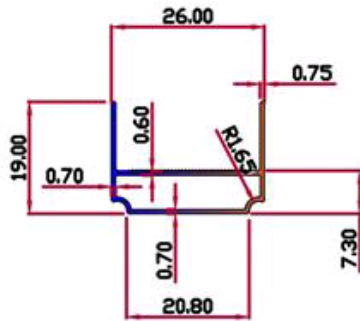


# Shreenathji

# Extrusion

8996

8997



DIE NO.-8996

WT-0.630Kg/12'

DIE NO.-8997

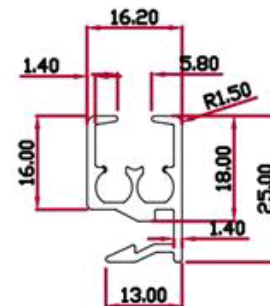
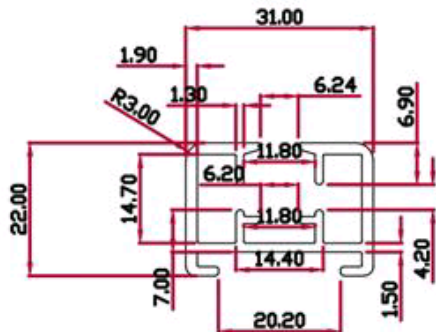
WT-0.400Kg/12'

INDUSTRIAL,NA

INDUSTRIAL,NA

8998

8999



DIE NO.-8998

WT-2.000Kg/12'

DIE NO.-8999

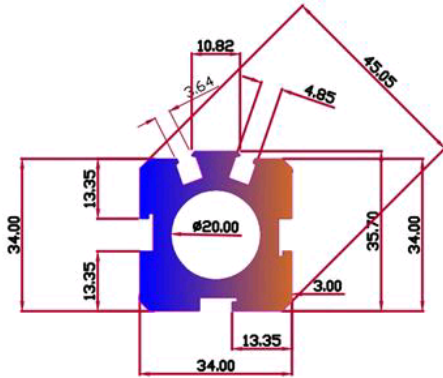
WT-1.200Kg/12'

INDUSTRIAL,NA

INDUSTRIAL,NA

# Shreenathji

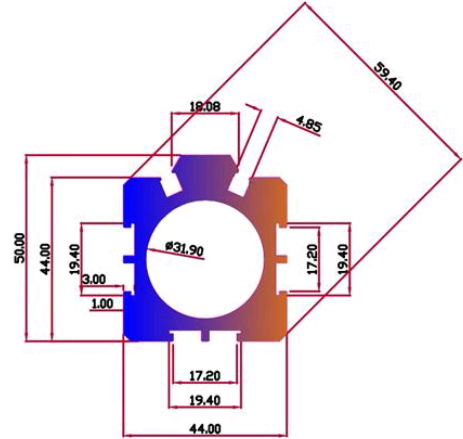
9002



INDUSTRIAL,NA

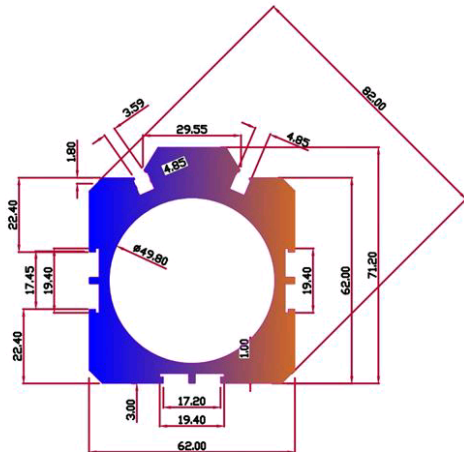
# Extrusion

9003



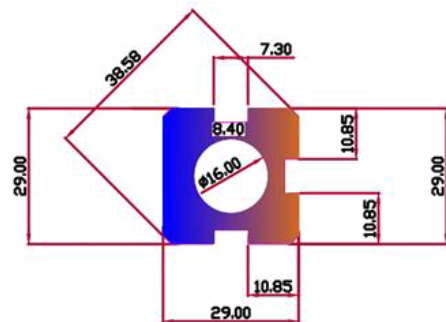
INDUSTRIAL,NA

9004



INDUSTRIAL,NA

9006



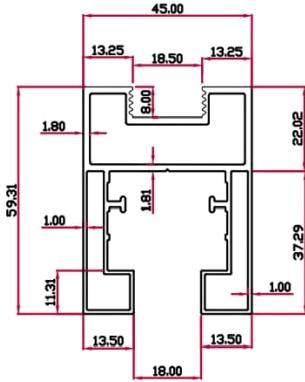
INDUSTRIAL,NA



# Shreenathji

# Extrusion

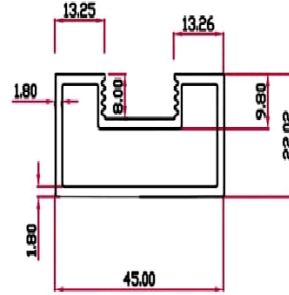
9022



DIE.No -9022  
WEIGHT -4.600kg/12'

INDUSTRIAL

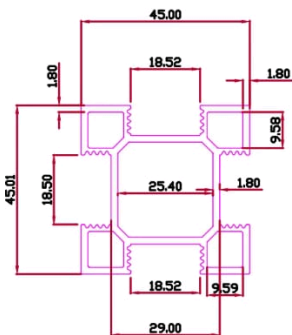
9023



DIE.No -9023  
WEIGHT -2.500kg/12'

INDUSTRIAL

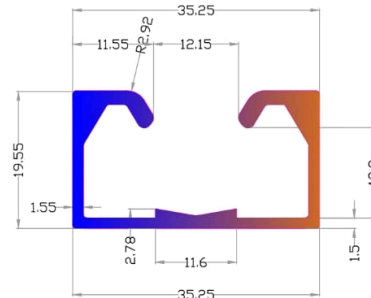
9024



DIE.No -9024  
WEIGHT -4.100kg/12'

EXHIBITION, INDUSTRIAL

9032



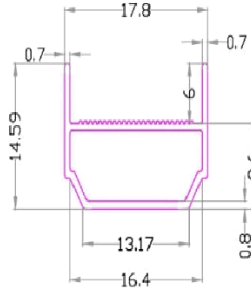
DIE NO-9032  
WEIGHT -1.850kg/12'

INDUSTRIAL

# Shreenathji

# Extrusion

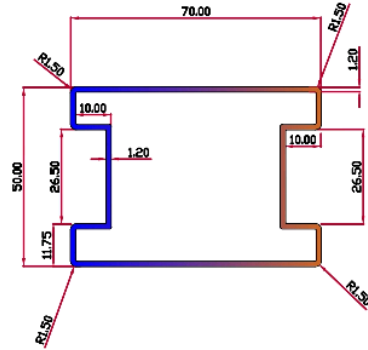
9033



DIE NO-9033  
WEIGHT -0.440kg/12'

INDUSTRIAL

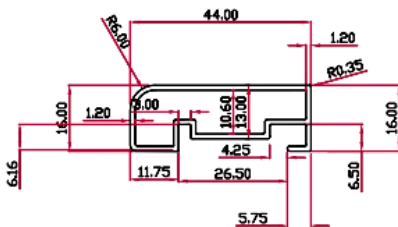
9047



DIE.NO:-9047  
WEIGHT:-3.350KG/12'

INDUSTRIAL

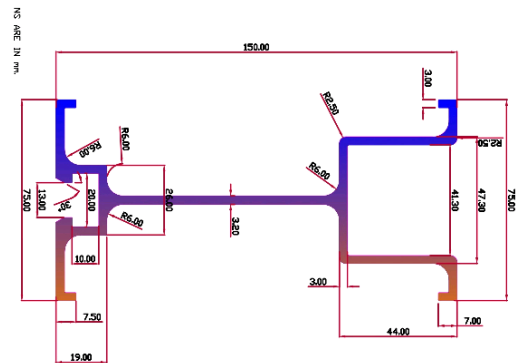
9048



DIE.NO:-9048  
WEIGHT:-1.550KG/12'

INDUSTRIAL

9071



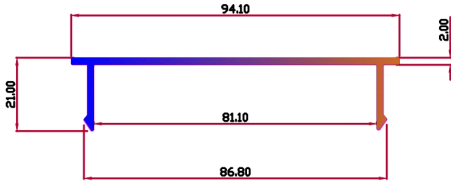
DIE.NO:-9071  
WEIGHT:-3.350KG/MTR

INDUSTRIAL

# Shreenathji

# Extrusion

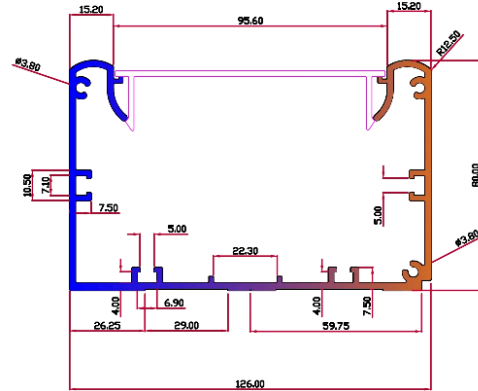
9074



DIE NO.-9074  
WEIGHT-2.550-KGS-12'

INDUSTRIAL

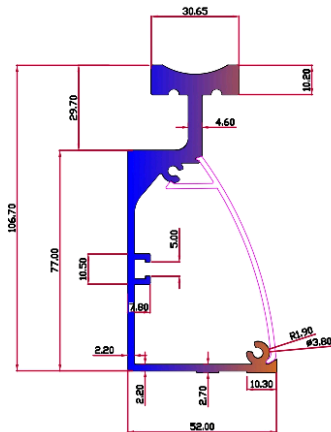
9076



DIE NO.-9076  
WEIGHT-8.800-KGS-12'

INDUSTRIAL

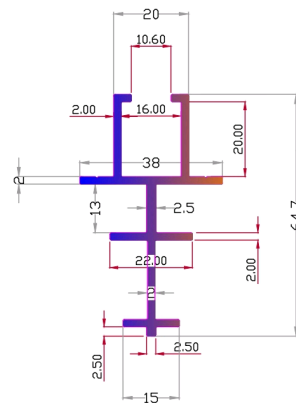
9077



DIE NO.-9077  
WEIGHT-9.000-KGS-12'

INDUSTRIAL

9094



DIE.NO:-9094  
WEIGHT:-3.300KG/12'

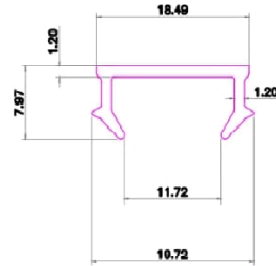
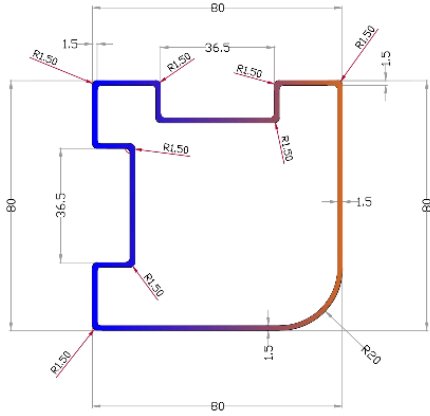
INDUSTRIAL

# Shreenathji

# Extrusion

9095

9101



DIE.NO:-9095  
WEIGHT:-5.200KG/12'

DIE NO : 9101

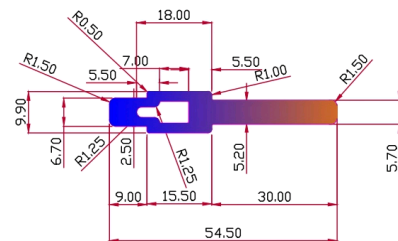
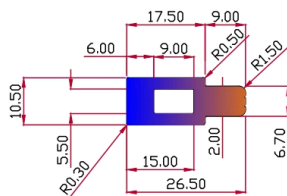
WEIGHT -0.410kg/12'

INDUSTRIAL

INDUSTRIAL

9135

9136



DIE.No -9135  
WEIGHT-1.890kg/12'

DIE.No -9136  
WEIGHT-3.280kg/12'

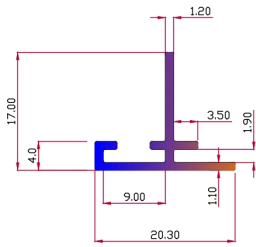
INDUSTRIAL

INDUSTRIAL

# Shreenathji

# Extrusion

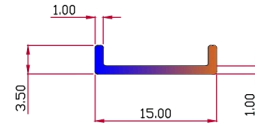
9149



DIE NO-9149  
WEIGHT-0.540kg/12'

INDUSTRIAL

9150



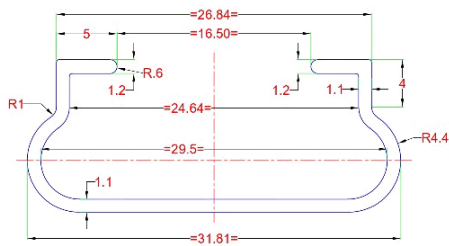
DIE NO-9150  
WEIGHT-0.200kg/12'

INDUSTRIAL

AGROL 001

Admin Profile

DIE NO:-AGROL 001  
WEIGHT: 0.680



SCALE - 0.680 Kg / 12'

INDUSTRIAL