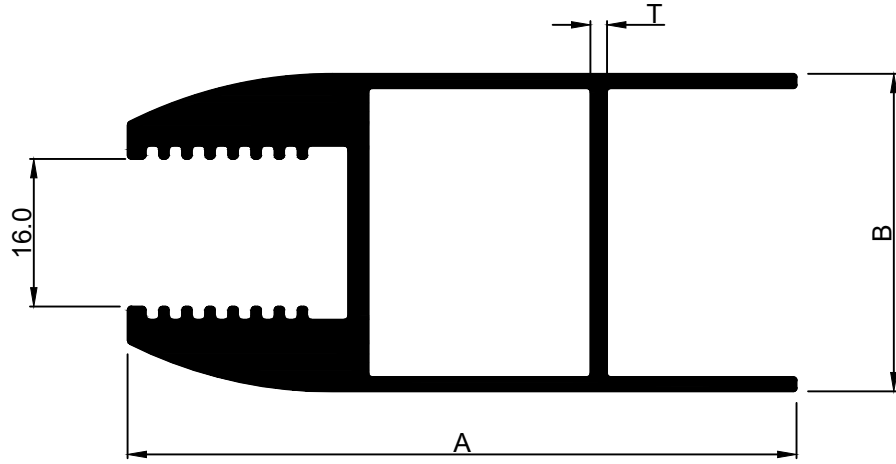
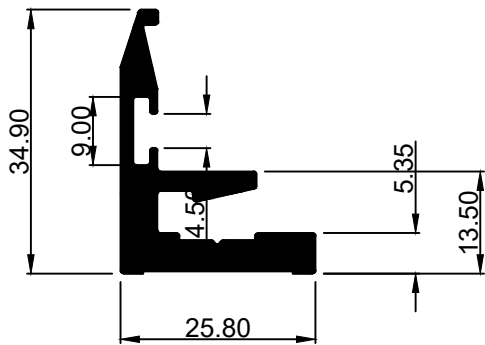


FISHTYPE DOOR BOTTOM



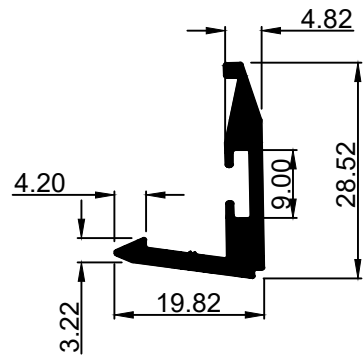
SEC.No.	A	B	T	Wt.(kg/Mtr.)	Wt.(kg/12')
11761	88.50	40.00	1.80	2.320	7.500-9.500
11762	88.50	40.00	2.70	2.595	9.500-10.500

SEC. NO:-13451



WEIGHT:- 2.600 kg/12'

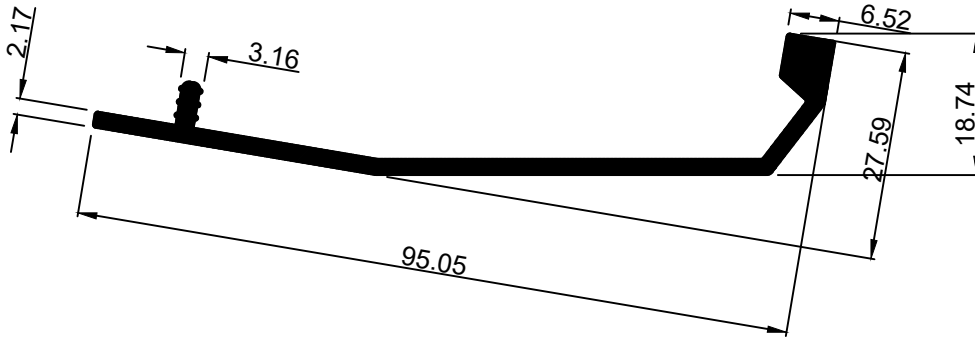
SEC. NO:-13446



WEIGHT:- 1.272 kg/12'

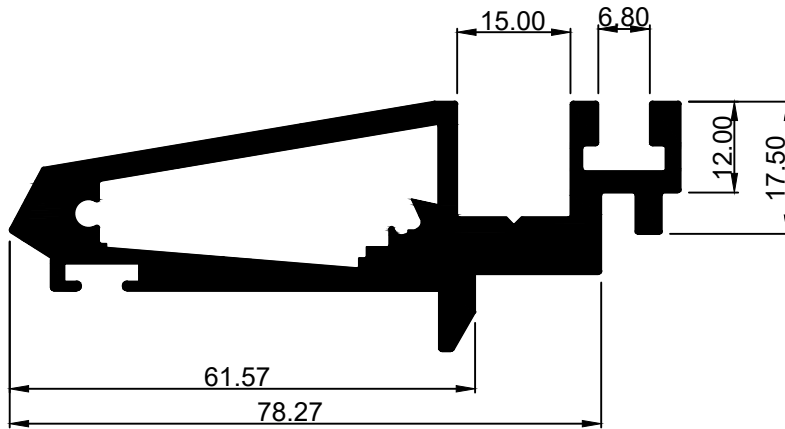
SHREENATHJI EXTRUSION

SEC. NO:-30055



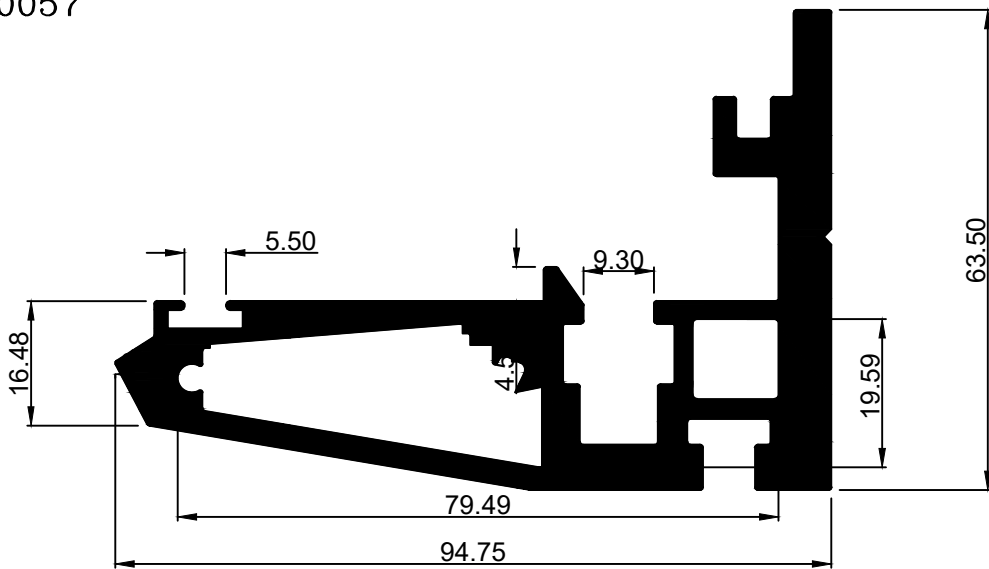
WEIGHT:- 2.7944 kg/12'

SEC. NO:-30056



WEIGHT:- 8.360 kg/12'

SEC. NO:-30057

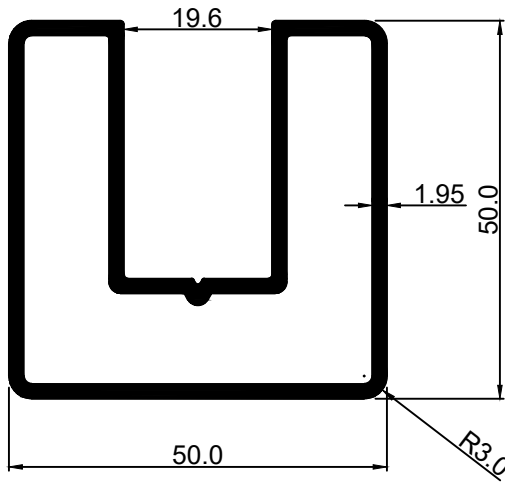


WEIGHT:- 13.200 kg/12'

SHREENATHJI EXTRUSION

SEC. NO:-30147

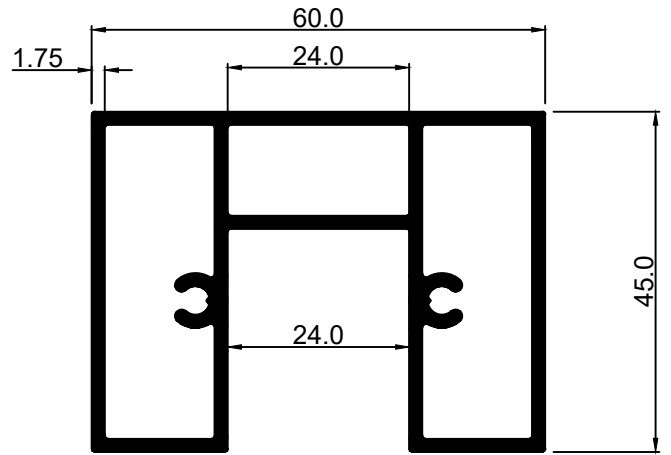
AH-299



WEIGHT:- 4.975 kg/12'

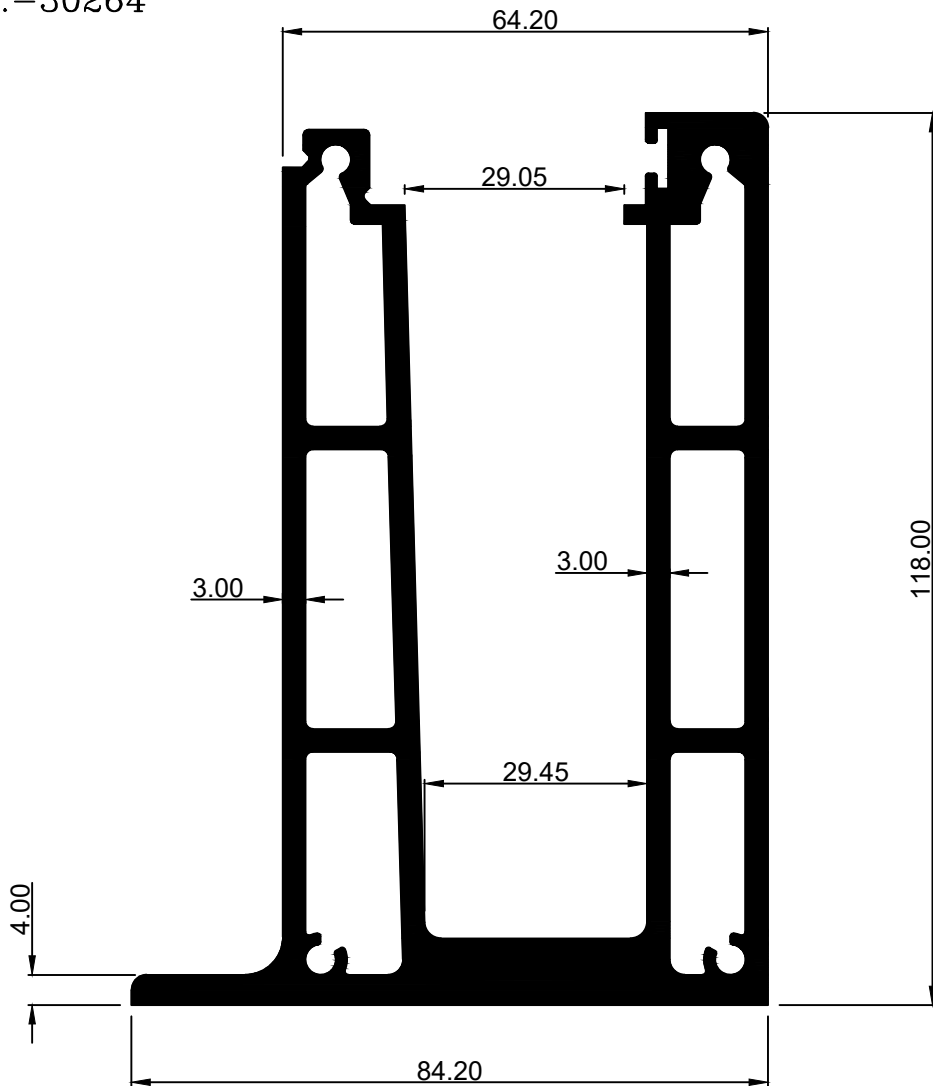
SEC. NO:-30148

AH-300



WEIGHT:- 5.370 kg/12'

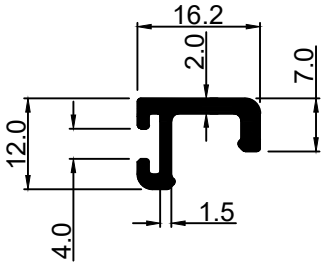
SEC. NO:-30264



WEIGHT:- 20.775 kg/12'

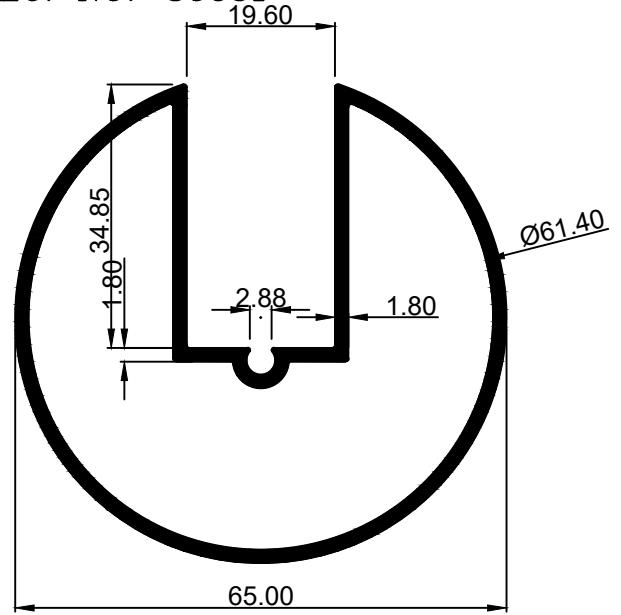
SHREENATHJI EXTRUSION

SEC. NO:-30143 AH-295



WEIGHT:- 0.705 kg/12'

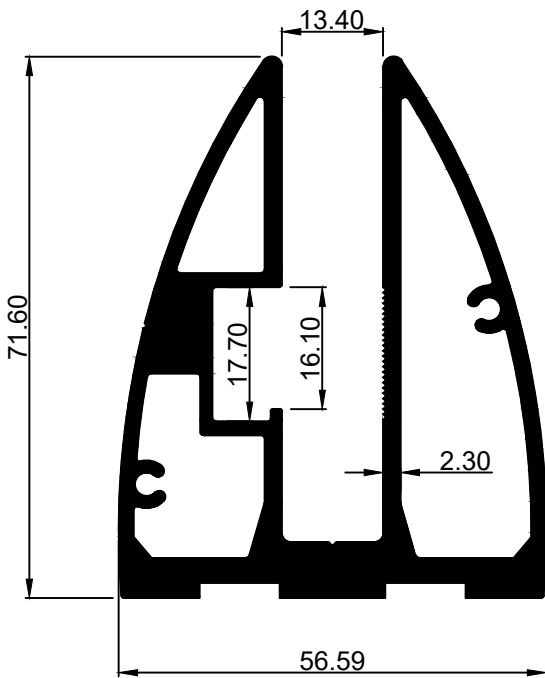
SEC. NO:-30051



WEIGHT:- 4.846 kg/12'

SEC. NO:-30377

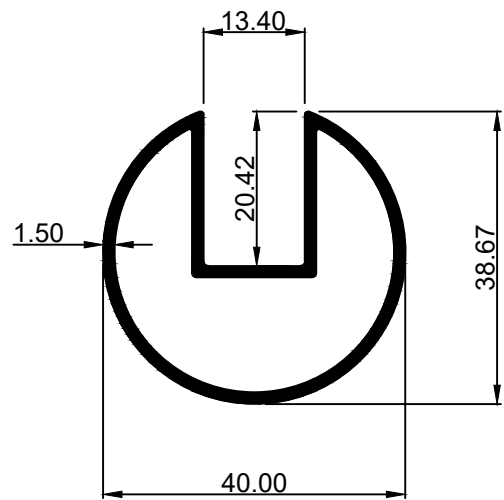
8068



WEIGHT:- 9.980 kg/12'

SEC. NO:-30378

8067

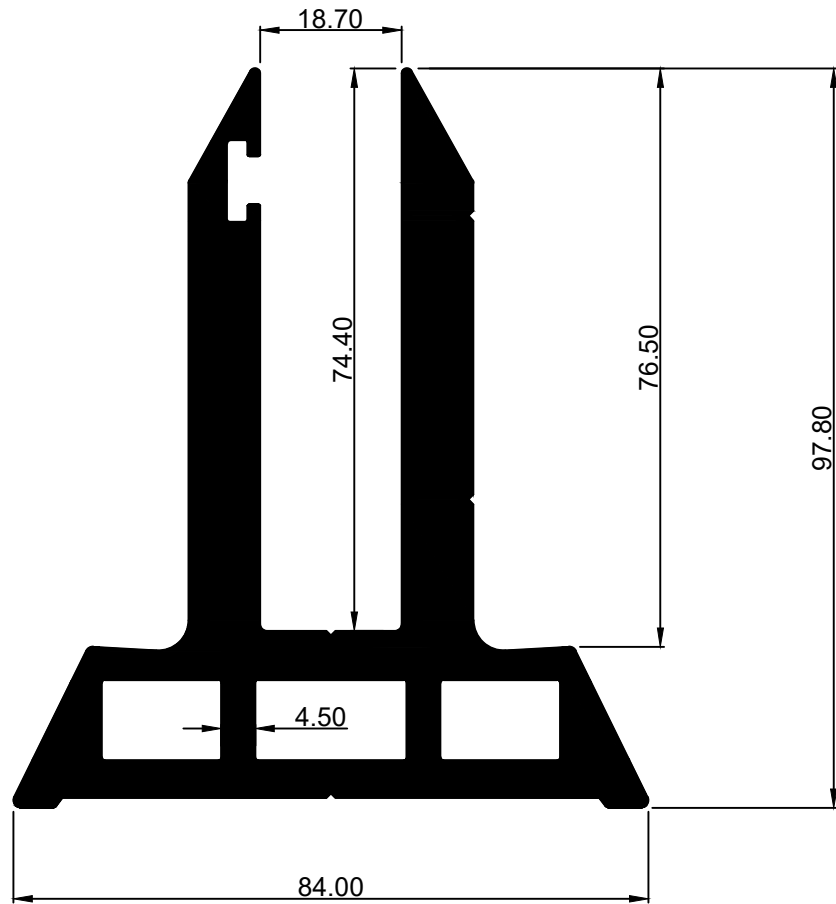


WEIGHT:- 2.390 kg/12'

SHREENATHJI EXTRUSION

SEC. NO:-30438

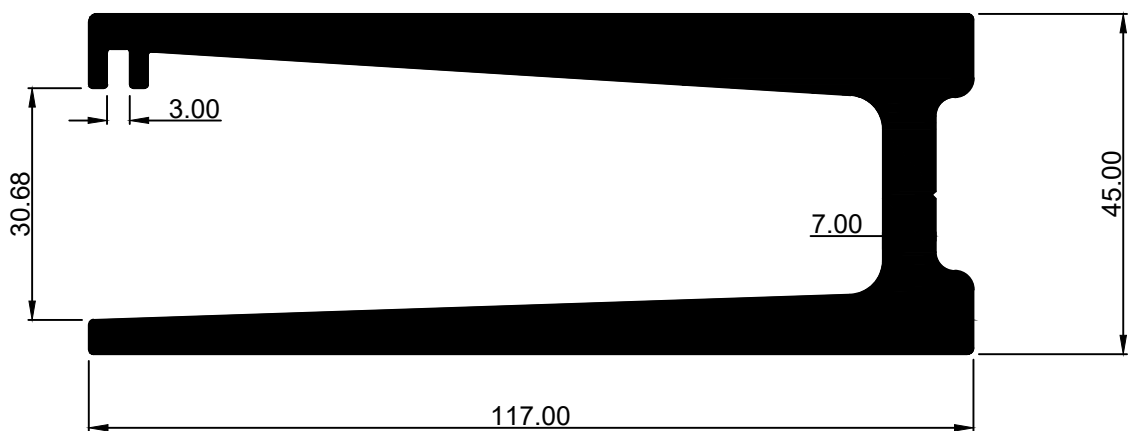
8190



WEIGHT:- 22.509 kg/12'

SEC. NO:-30439

8195

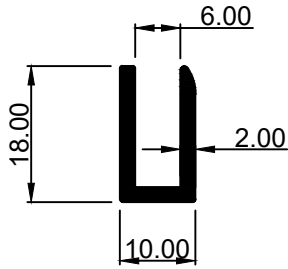


WEIGHT:- 19.032 kg/12'

SHREENATHJI EXTRUSION

SEC. NO:-30462

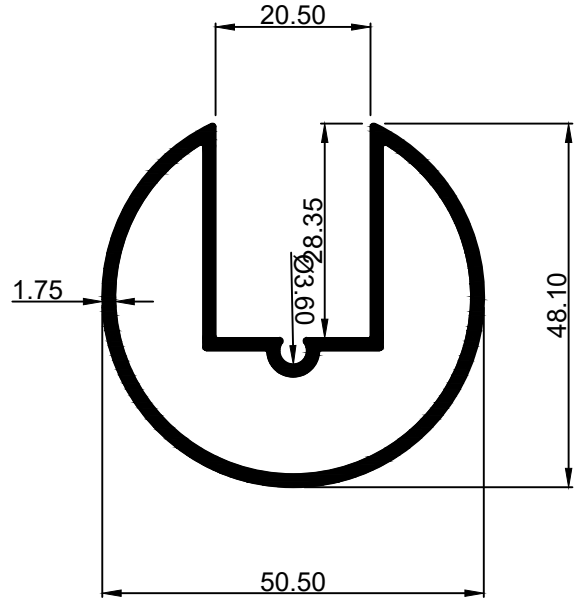
8199



WEIGHT:- 0.810 kg/12'

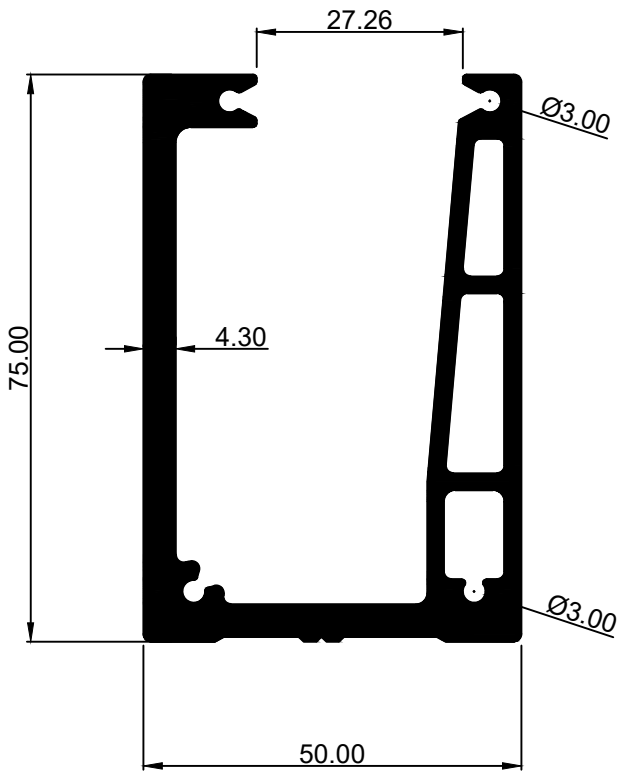
SEC. NO:-30467

8206



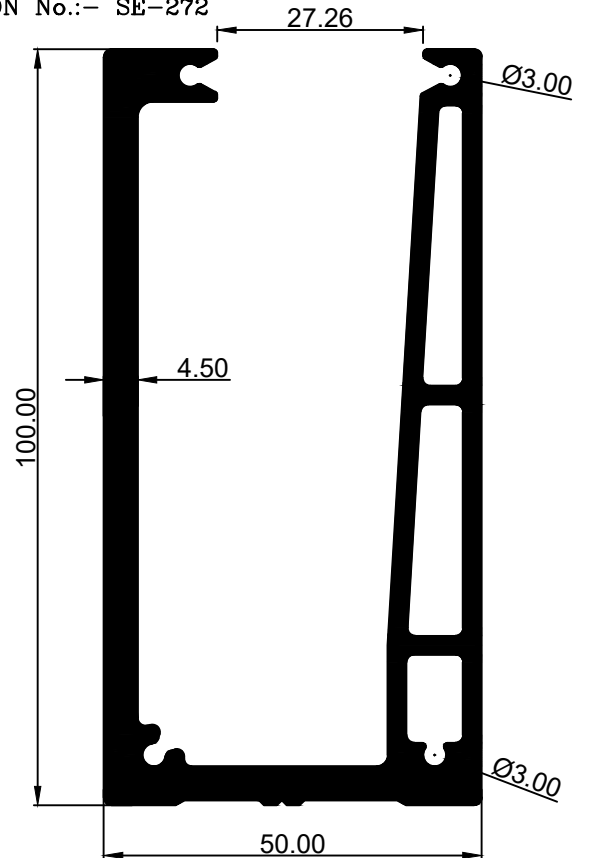
WEIGHT:- 3.600 kg/12'

SECTION No.:- SE-271



9.807 KG/12'

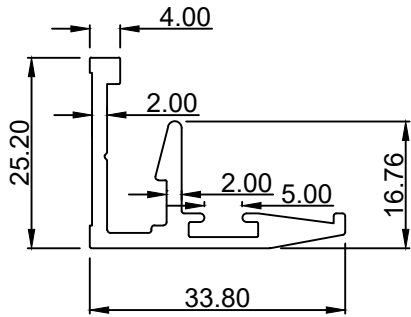
SECTION No.:- SE-272



12.588 KG/12'

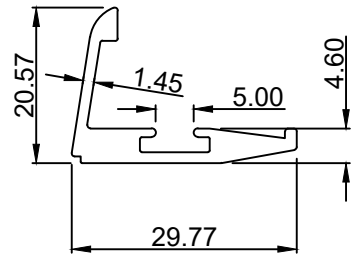
SHREENATHJI EXTRUSION

SECTION No.: SE-284



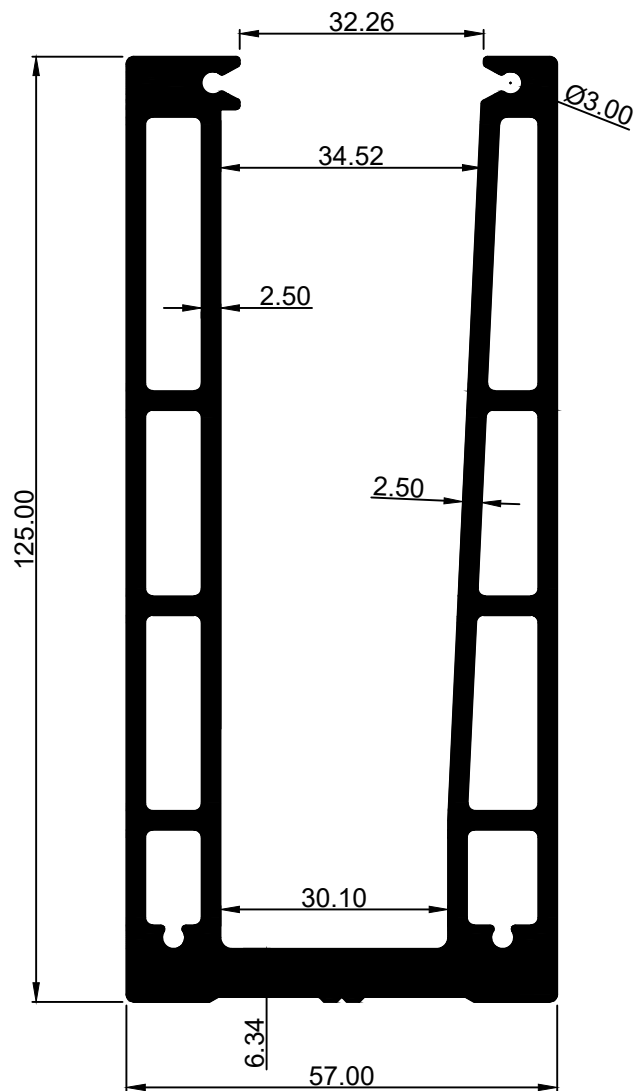
1.700 KG/12'

SECTION No.: SE-285



1.228 KG/12'

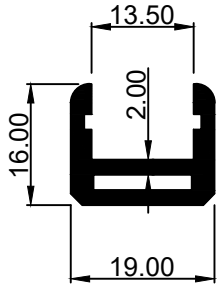
SECTION No.: SE-273



4.879 KG/Mtr.

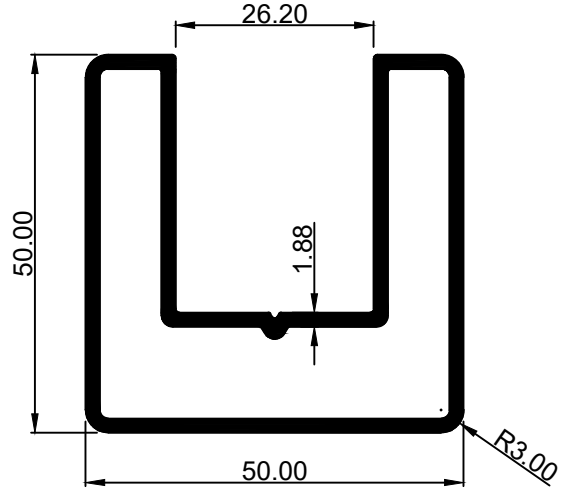
SHREENATHJI EXTRUSION

SECTION No.:- SE-415



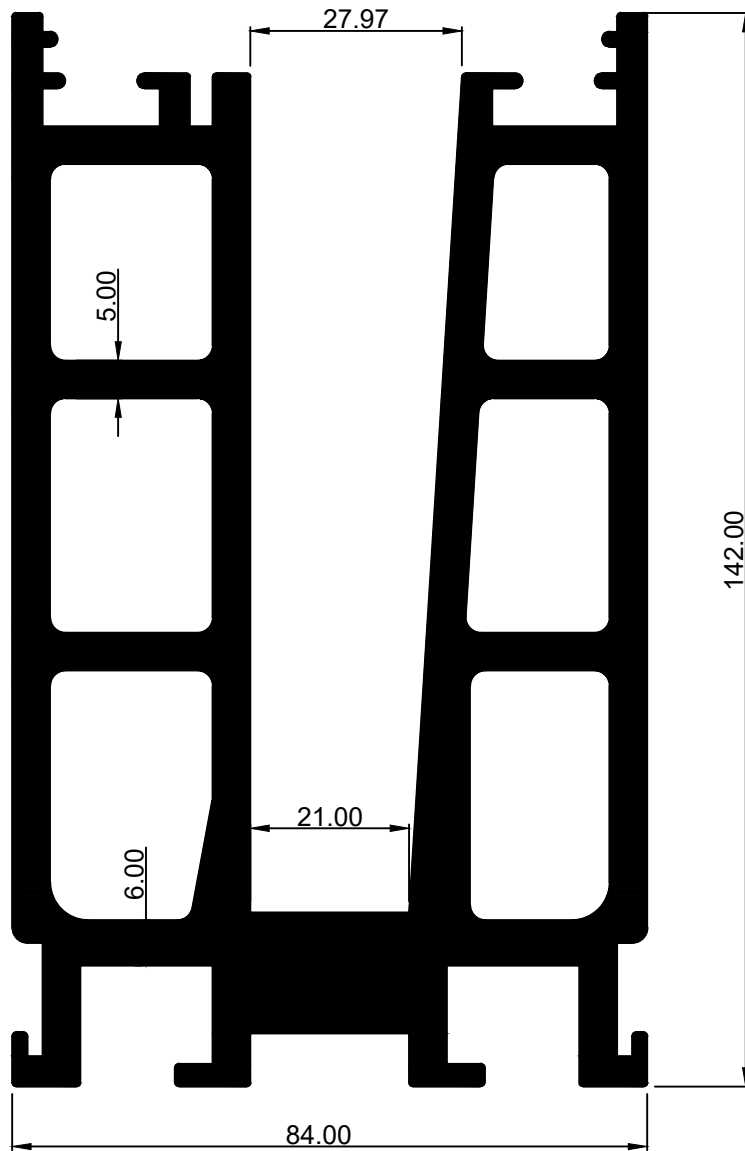
3.495 KG/12'

SECTION No.:- SE-422



4.802 KG/12'

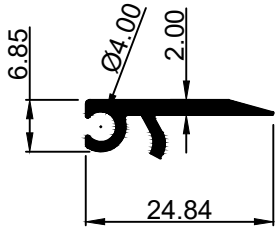
SECTION No.:-SE-534



40.789 Kg/12'

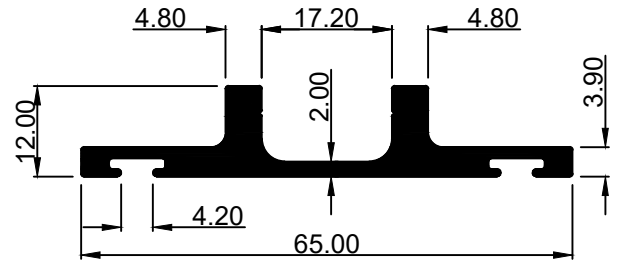
SHREENATHJI EXTRUSION

SECTION No.:—SE-541



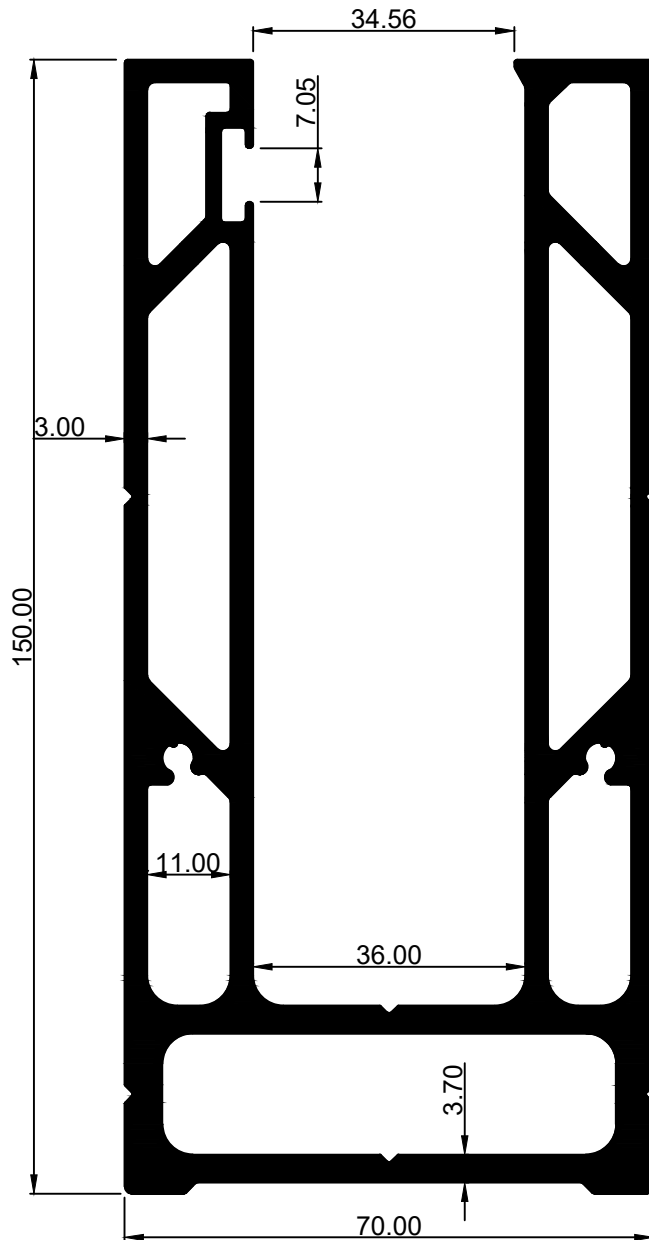
0.623 Kg/12'

SECTION No.:—SE-611



2.711 Kg/12'

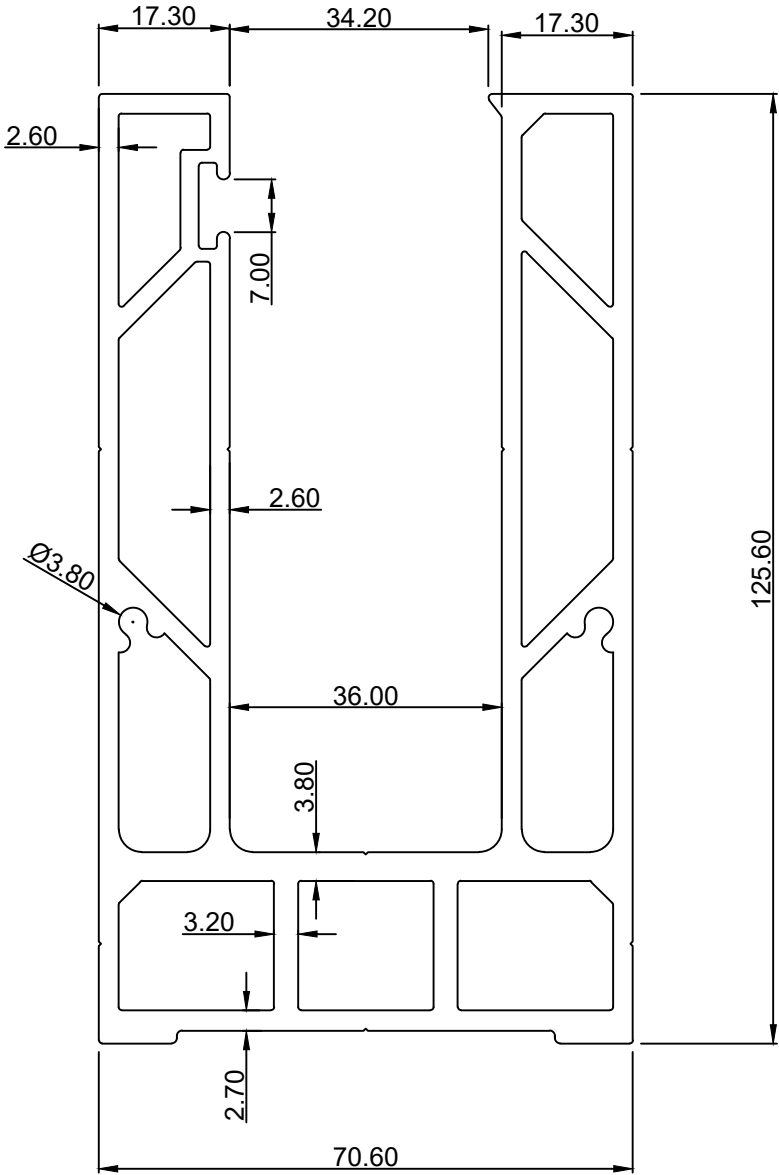
SECTION No.:—SE-540



6.924 Kg/Mtr.

SHREENATHJI EXTRUSION

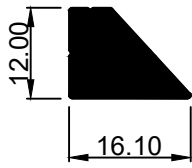
SECTION No.: -SE-615



22.451 Kg/Mtr.

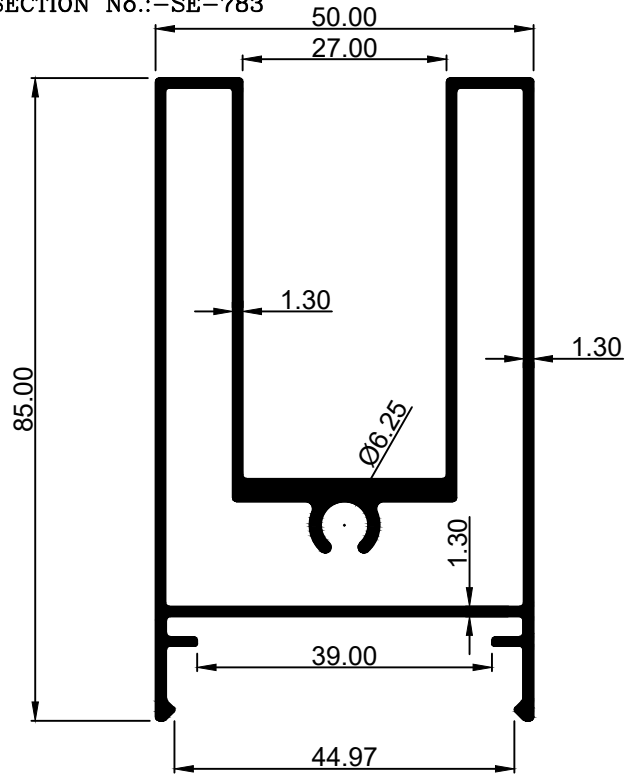
SHREENATHJI EXTRUSION

SECTION No.: -SE-614



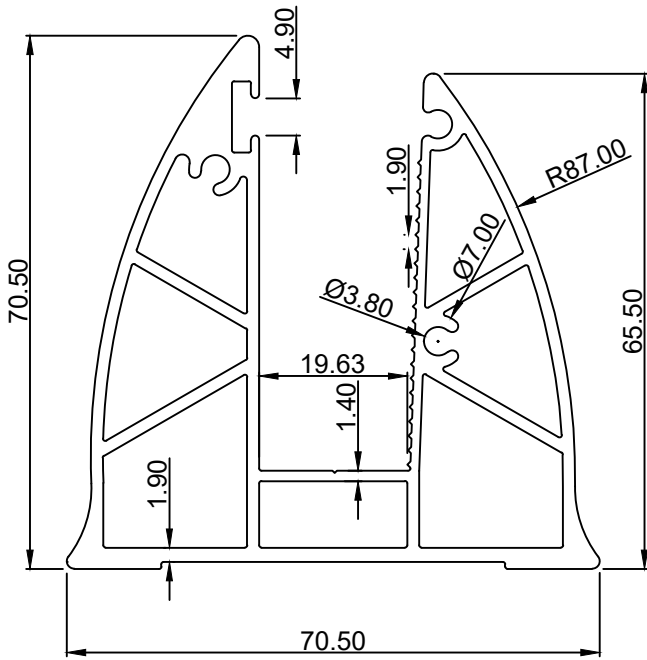
1.312 Kg/12'

SECTION No.: -SE-783



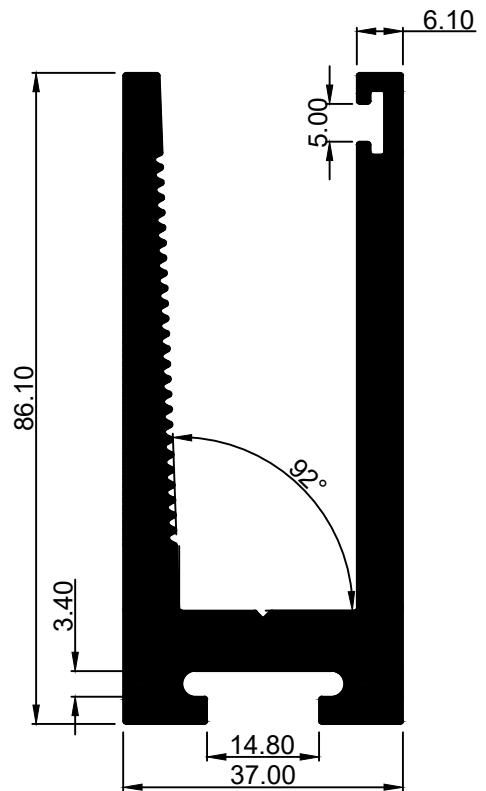
5.6573 Kg/12'

SECTION No.: - SE-707



7.978 Kg/12'

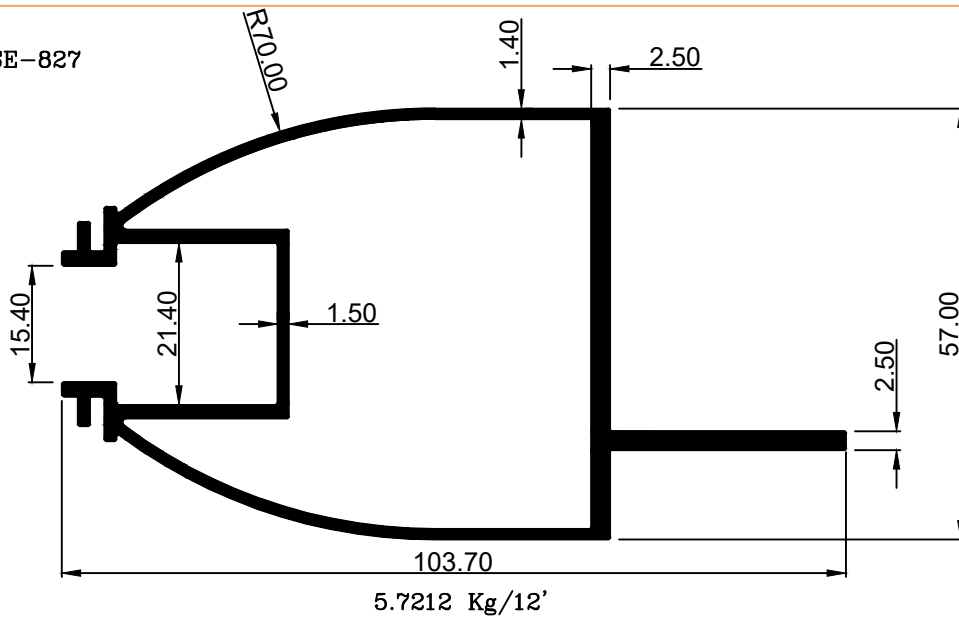
SECTION No.: -SE-673



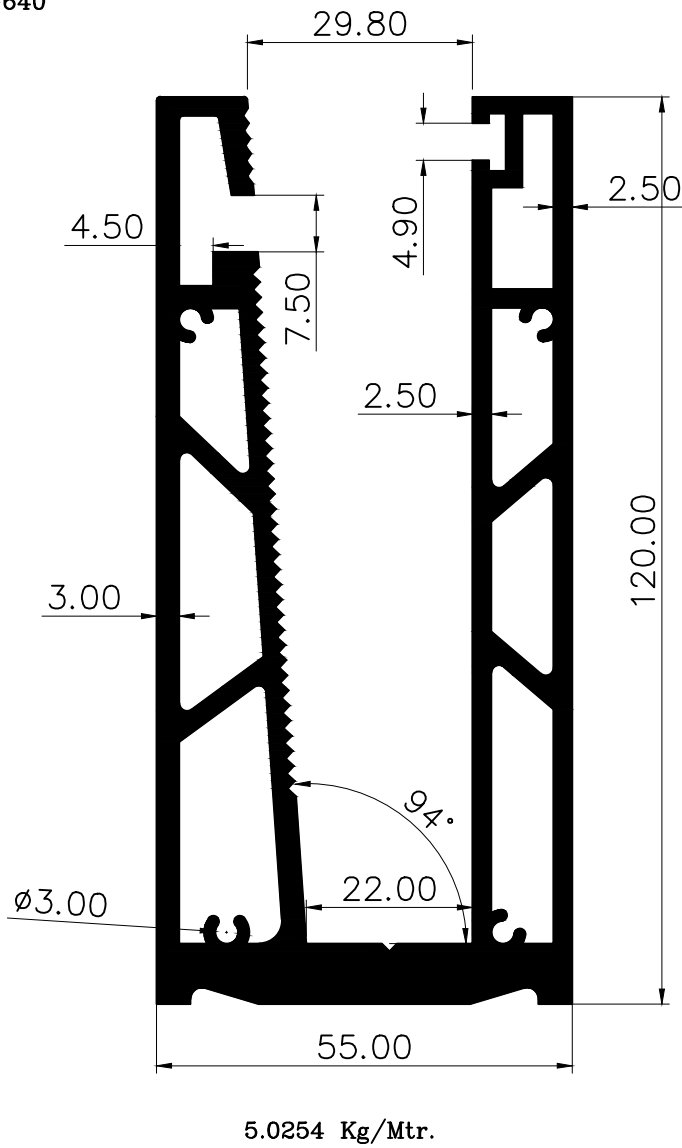
12.327 Kg/12'

SHREENATHJI EXTRUSION

SECTION No.: -SE-827

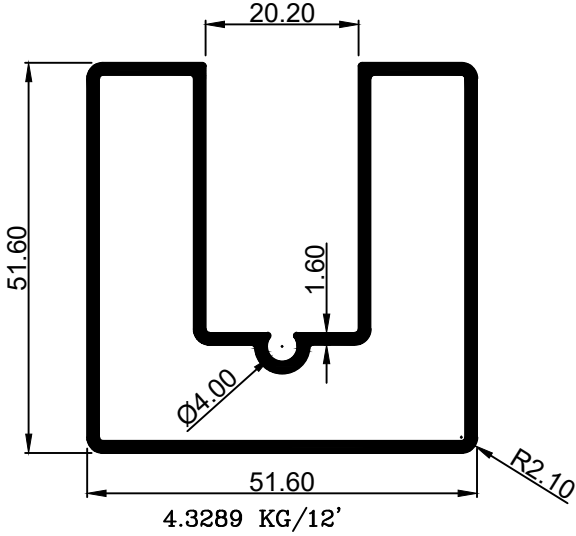


SECTION No.: -SE-640

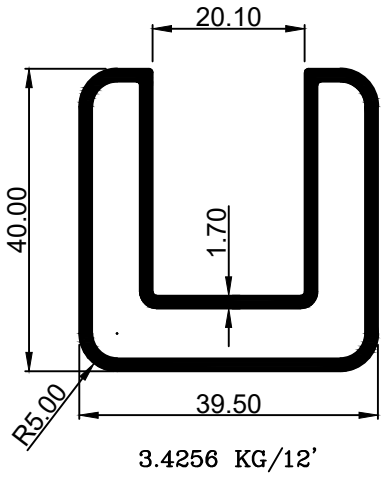


SHREENATHJI EXTRUSION

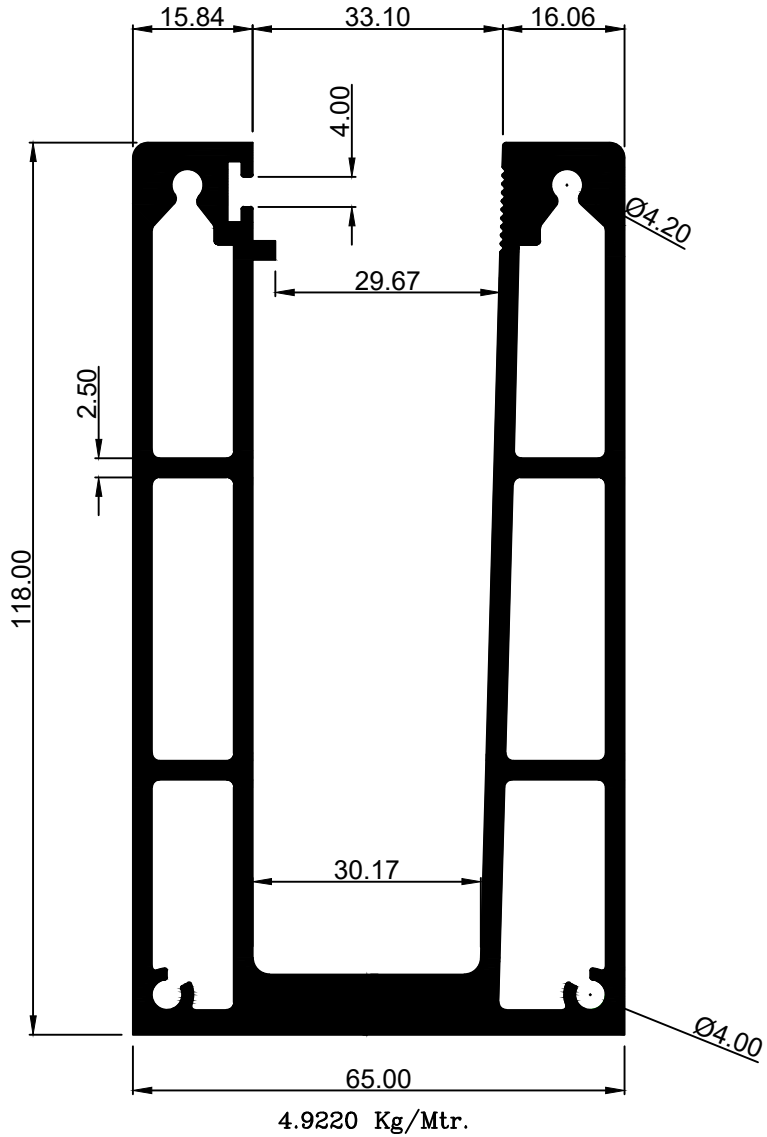
SECTION No.: SE-867



SECTION No.: SE-891-L

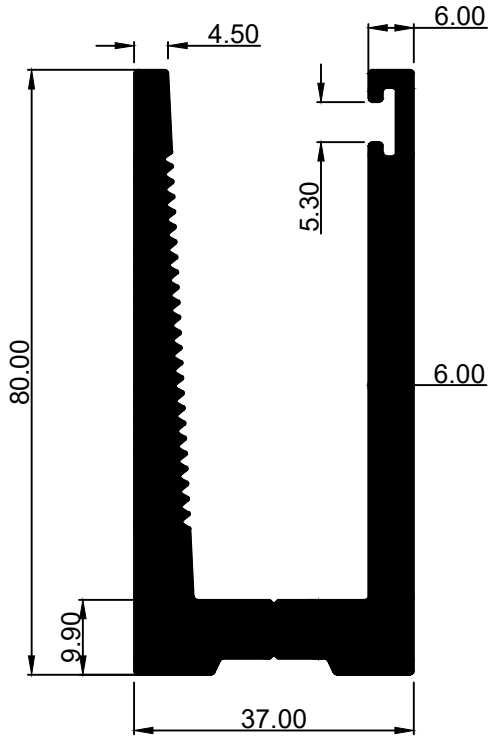


SECTION No.: SE-857



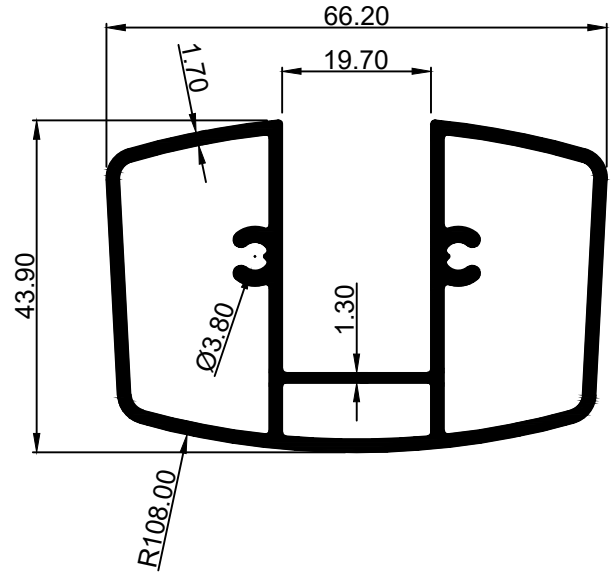
SHREENATHJI EXTRUSION

SECTION No.: -SE-892



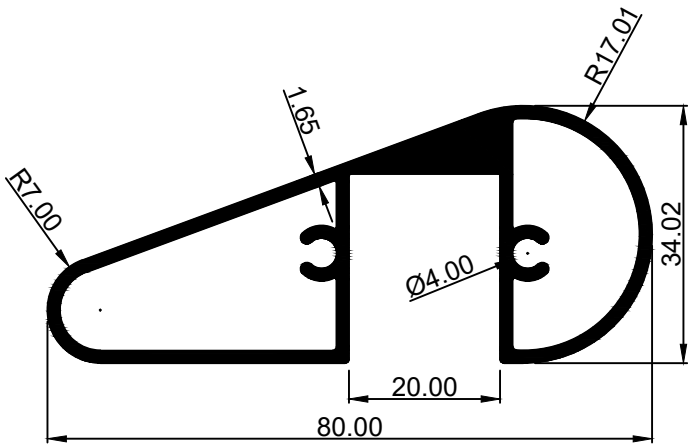
11.2550 KG/12'

SECTION No.: -SE-893



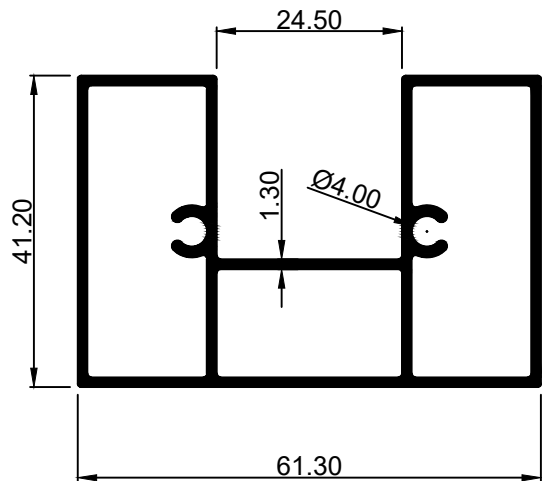
4.8965 KG/12'

SECTION No.: -SE-912



4.6062 KG/12'

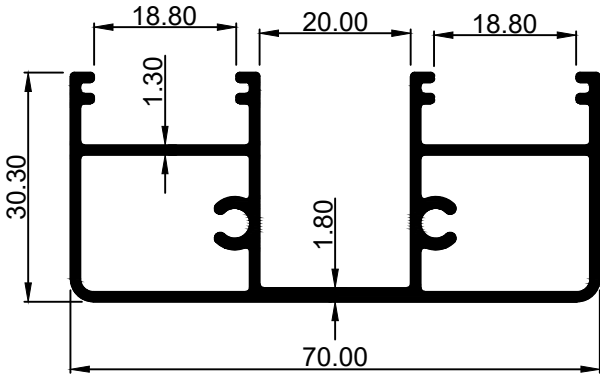
SECTION No.: -SE-926



3.8551 Kg/12'

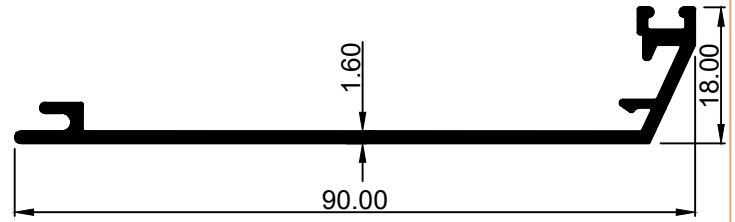
SHREENATHJI EXTRUSION

SECTION No.: -SE-927



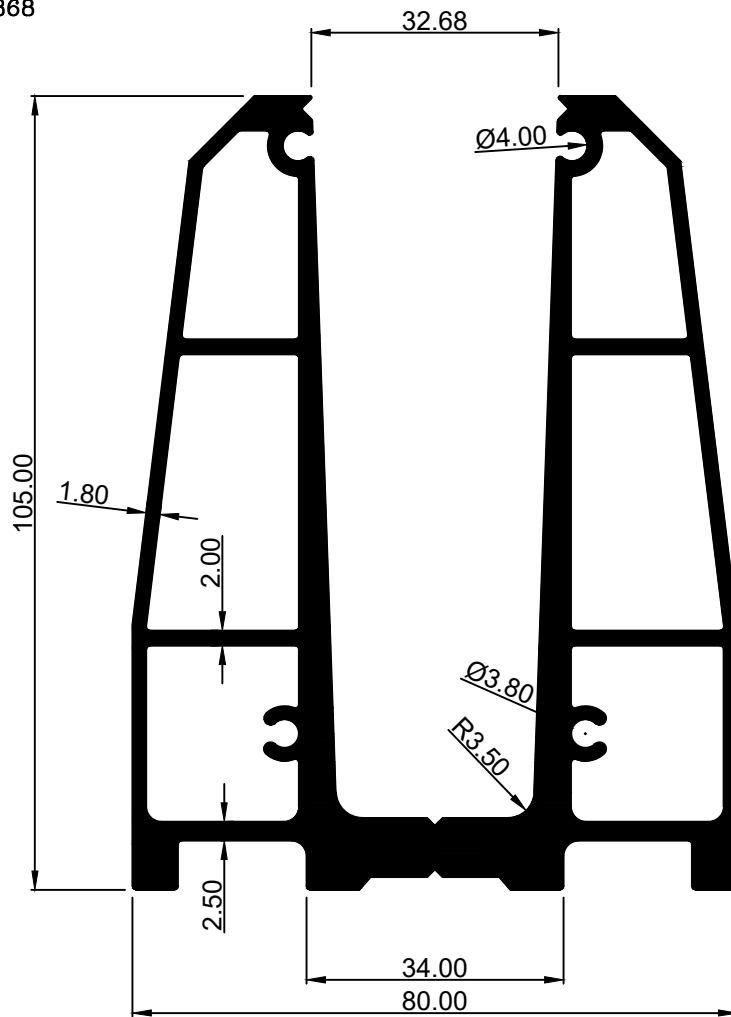
3.5280 Kg/12'

SECTION No.: -SE-933



1.9712 Kg/12'

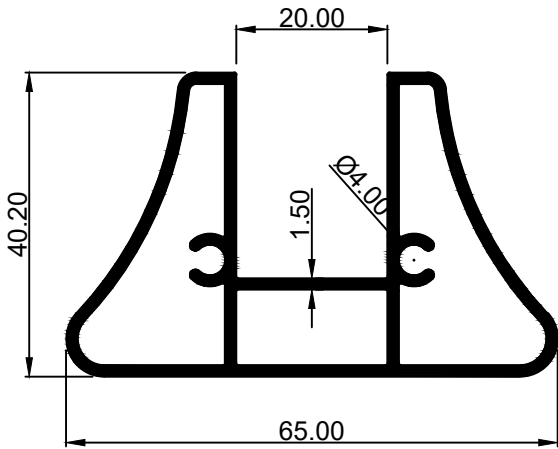
SECTION No.: - SE-868



17.0867 KG/12'

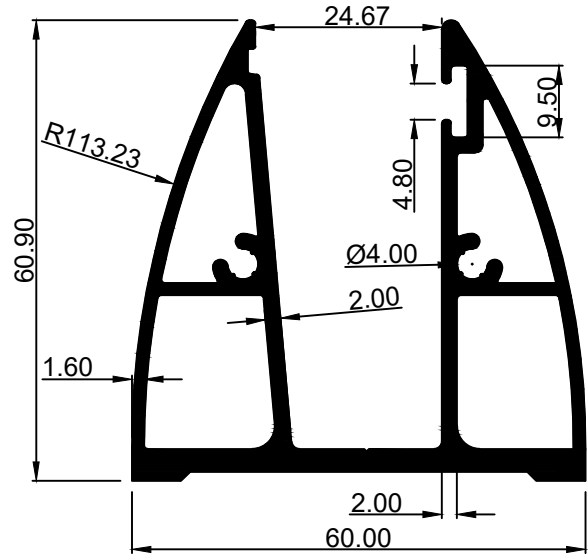
SHREENATHJI EXTRUSION

SECTION No.: -SE-990



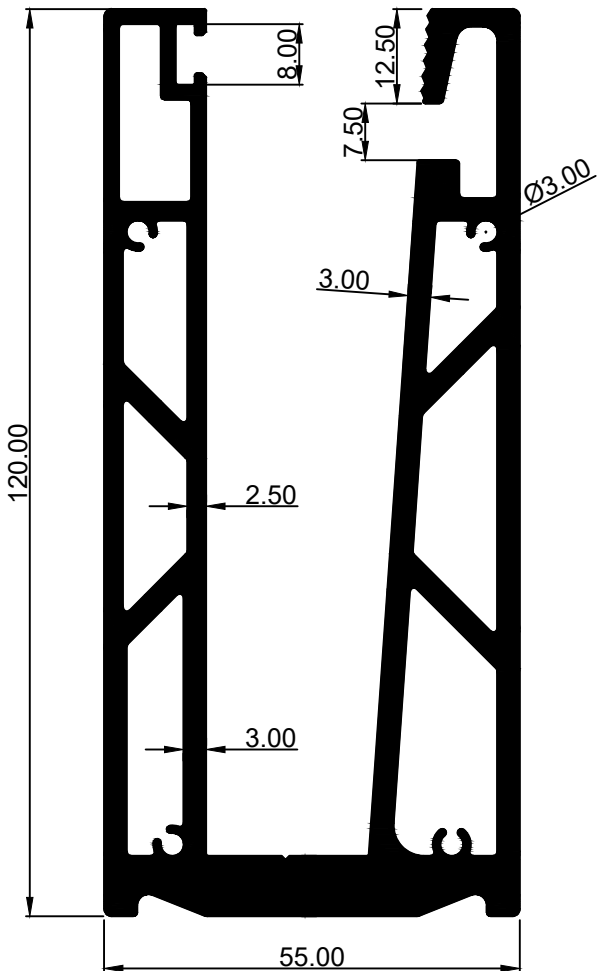
4.0340 Kg/12'

SECTION No.: - SIS-03 (A-18)



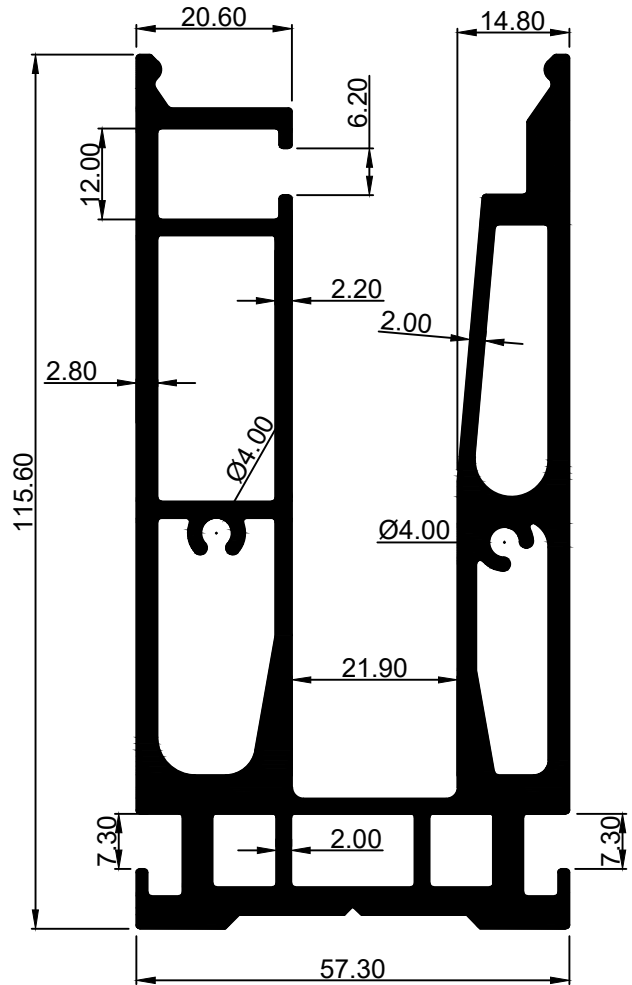
6.9175 KG/12'

SECTION No.: -SE-913



19.0618 KG/12'

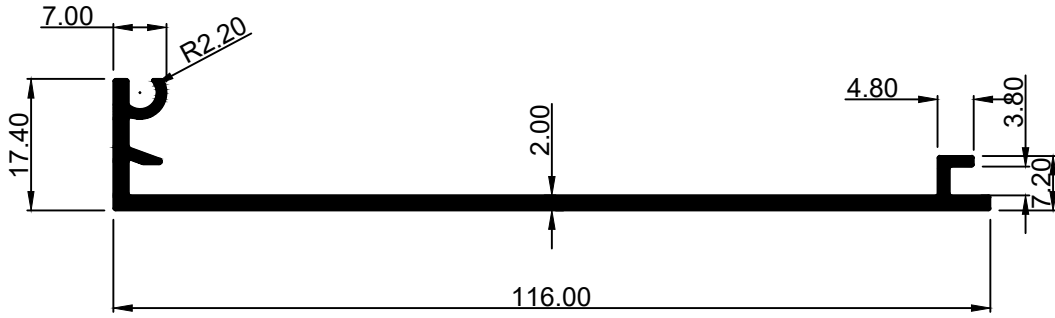
SECTION No.: -SE-921



17.7097 KG/12'

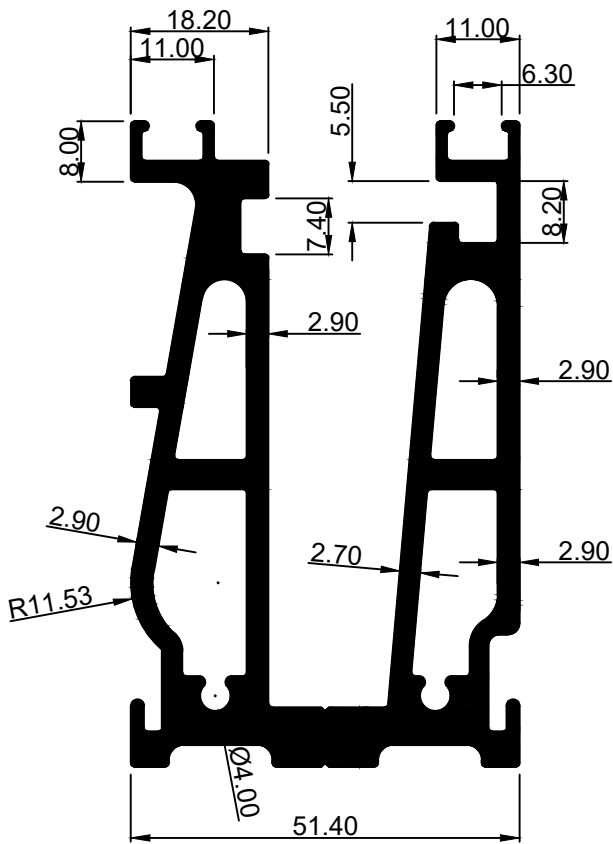
SHREENATHJI EXTRUSION

SECTION No.:--SE-937



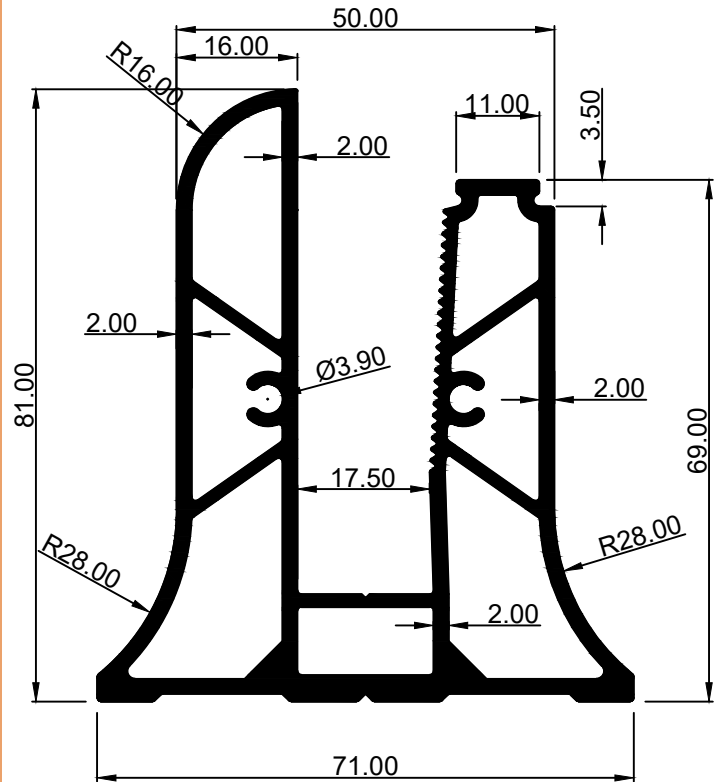
2.8841 KG/12'

SECTION No.:--SE-934



14.0254 Kg/12'

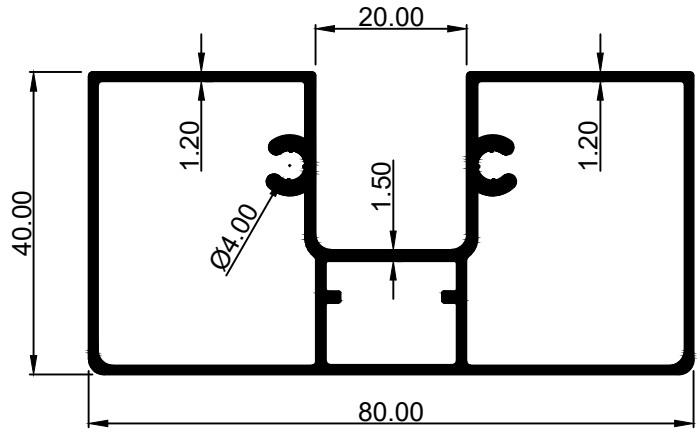
SECTION No.:--SE-946



9.6496 Kg/12'

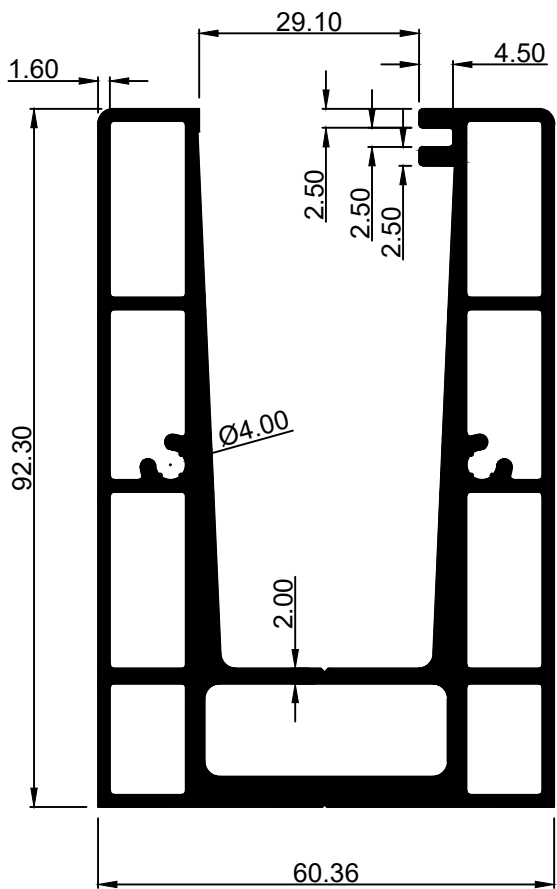
SHREENATHJI EXTRUSION

SECTION No.:- SIS-10 (AH-01)



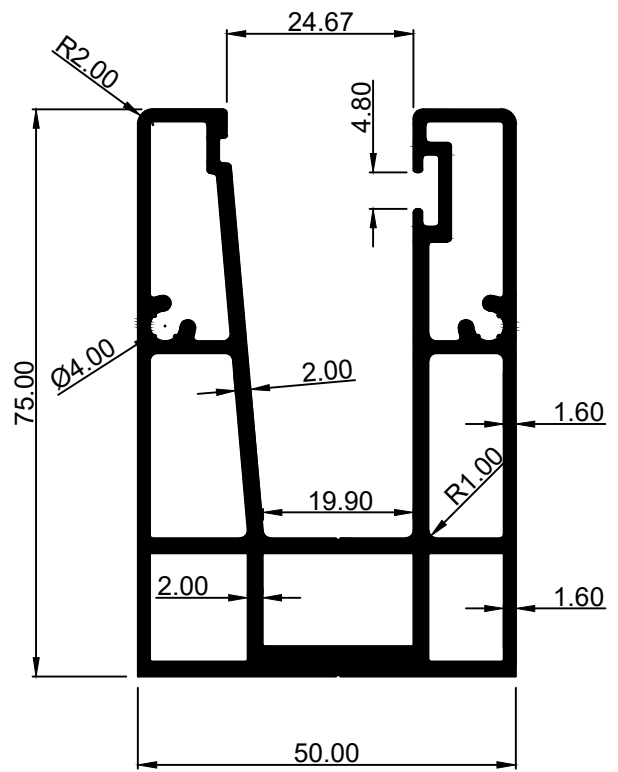
4.3376 KG/12'

SECTION No.:- SIS-02 (A-10)



12.3059 KG/12'

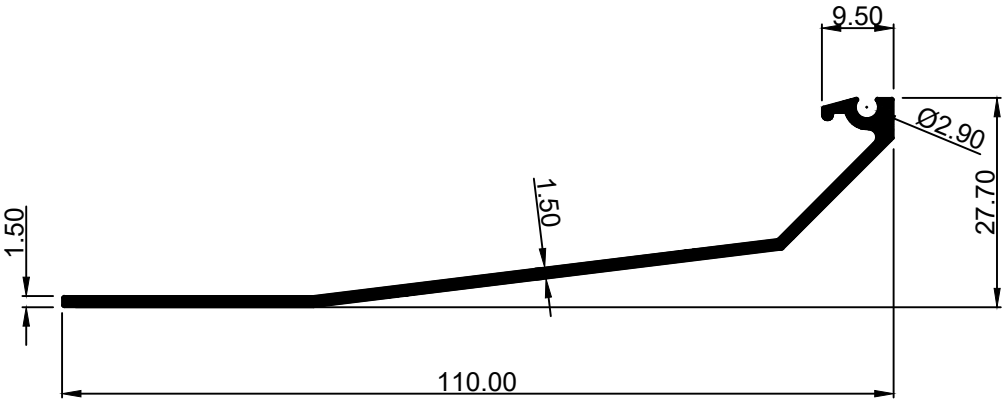
SECTION No.:- SIS-04 (A-36)



8.4217 KG/12'

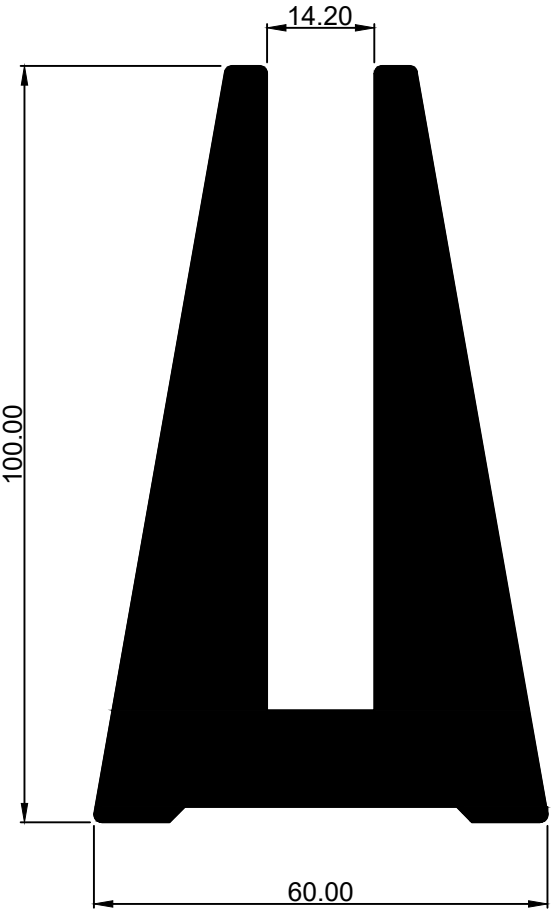
SHREENATHJI EXTRUSION

SECTION No.:—SE-992



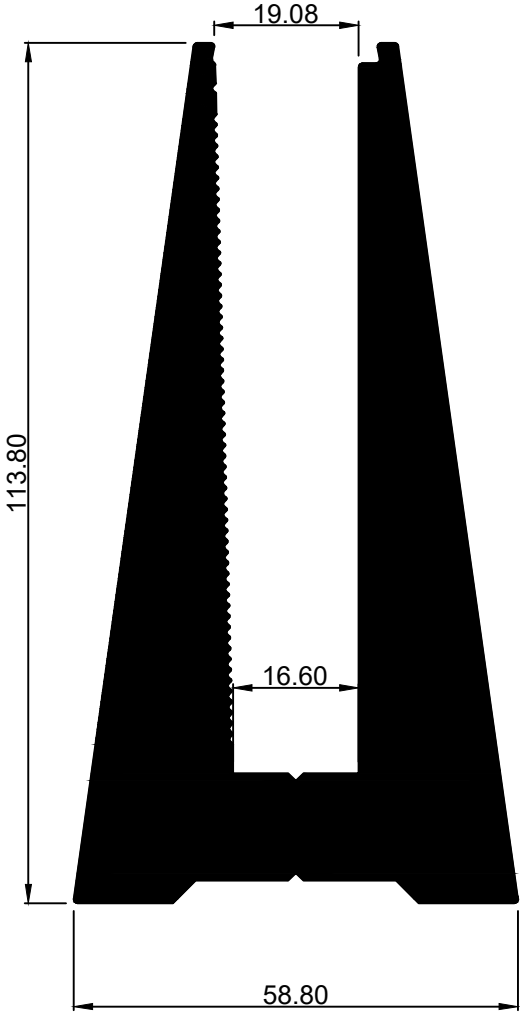
1.9687 Kg/12'

SECTION No.:— SE-1076



29.5263 Kg/12'

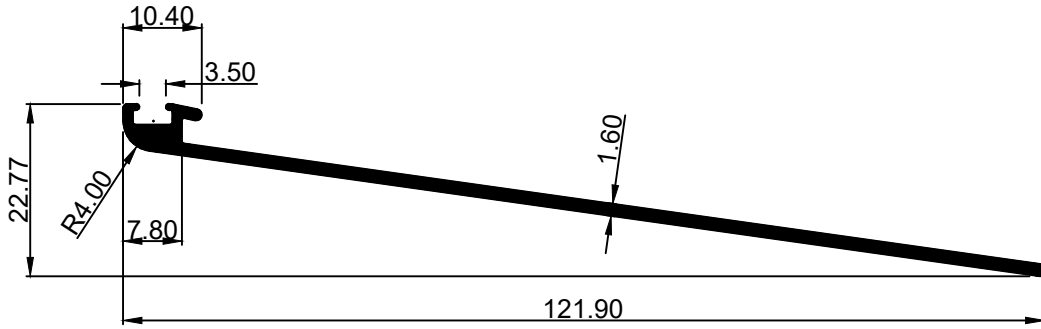
SECTION No.:— SE-1077



30.1639 Kg/12'

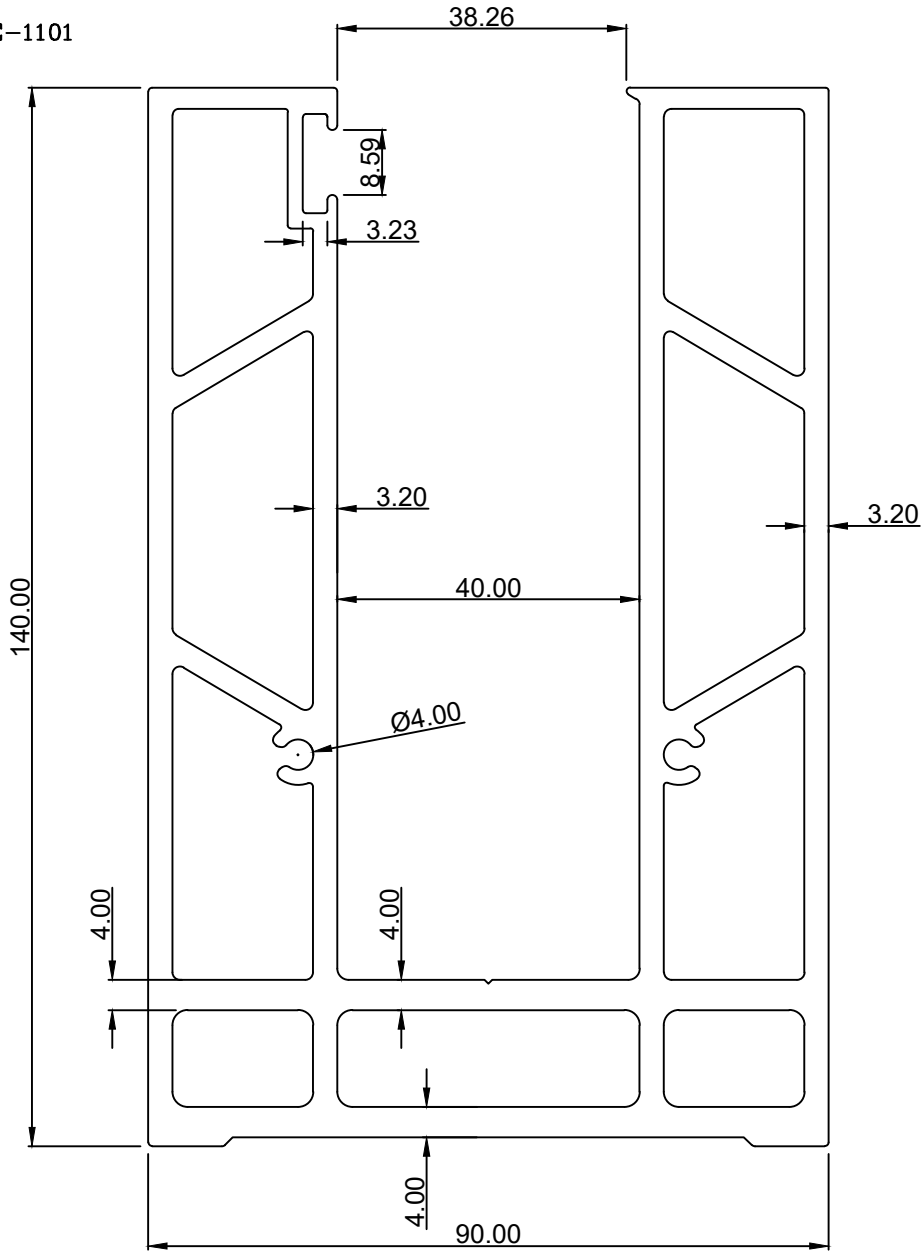
SHREENATHJI EXTRUSION

SECTION No.:- SE-1078



2.1882 Kg/12'

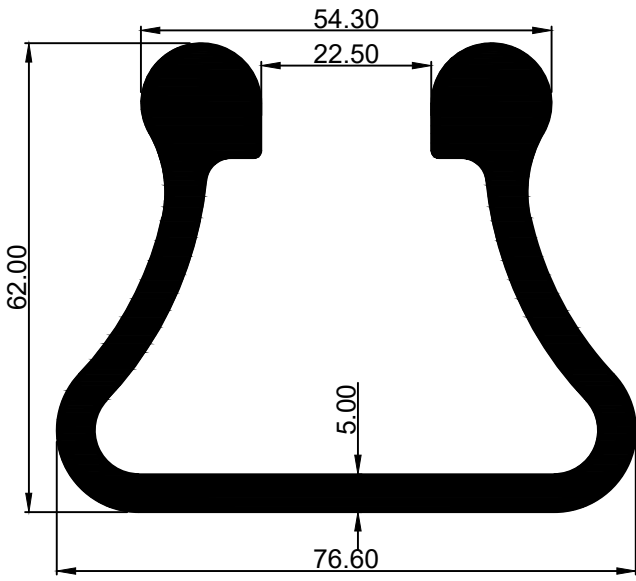
SECTION No.:- SE-1101



28.1785 Kg/12'

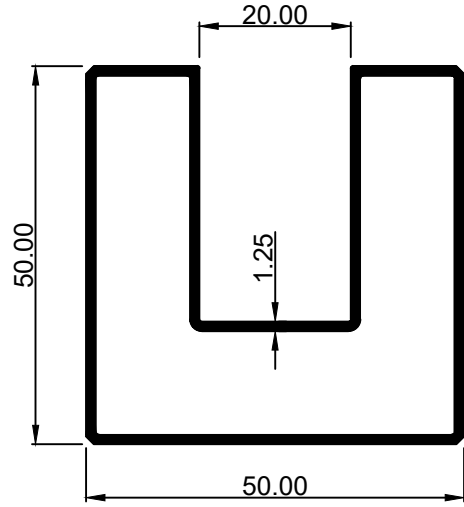
SHREENATHJI EXTRUSION

SECTION No.:—SE-991



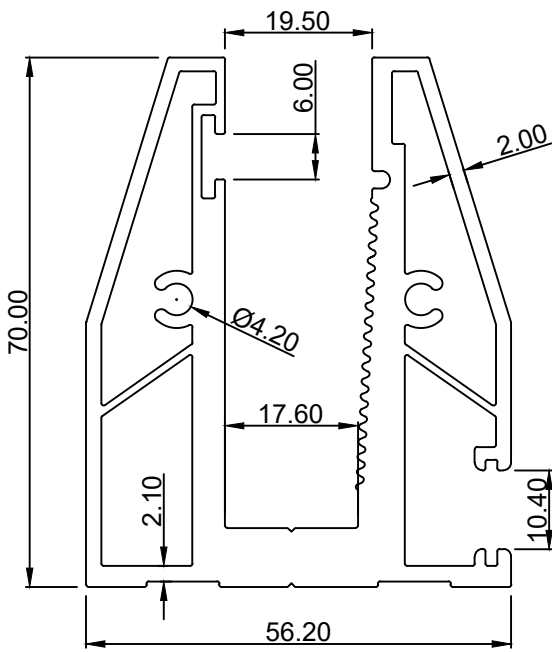
12.1409 Kg/12'

SECTION No.:— SE-1109



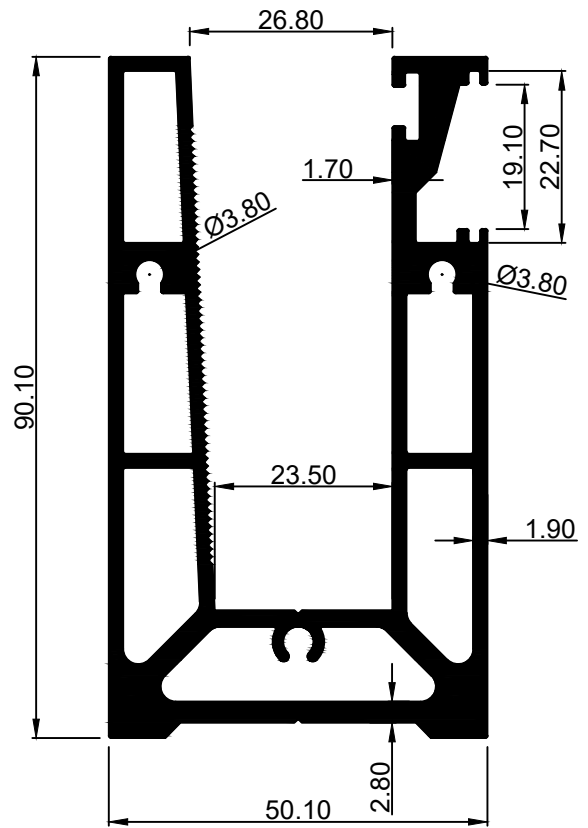
3.2163 Kg/12'

SECTION No.:— SE-1149



11.1347 Kg/12'

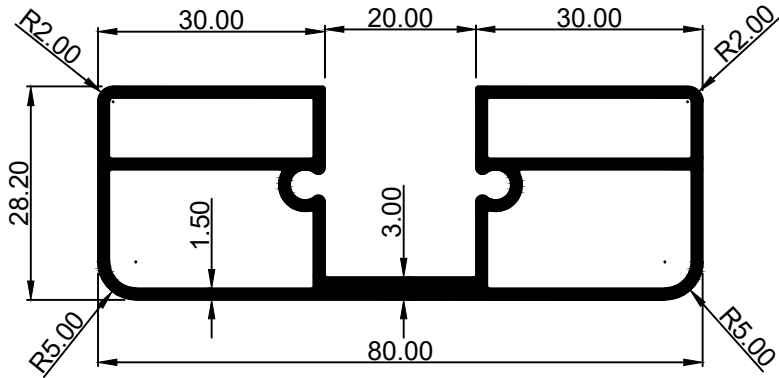
SECTION No.:— SE-1150



11.0623 Kg/12'

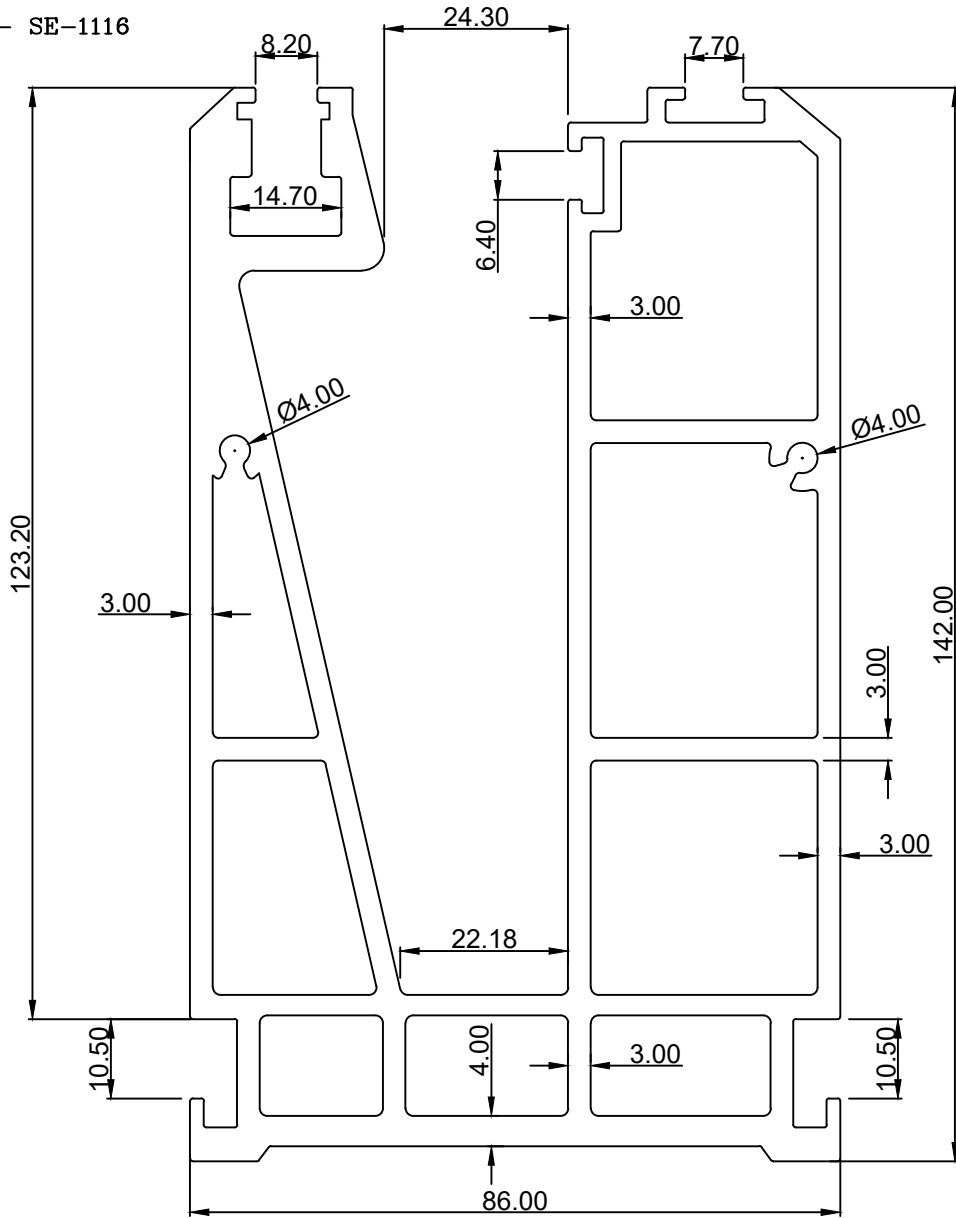
SHREENATHJI EXTRUSION

SECTION No.:- SE-1158



4.7409 Kg/12'

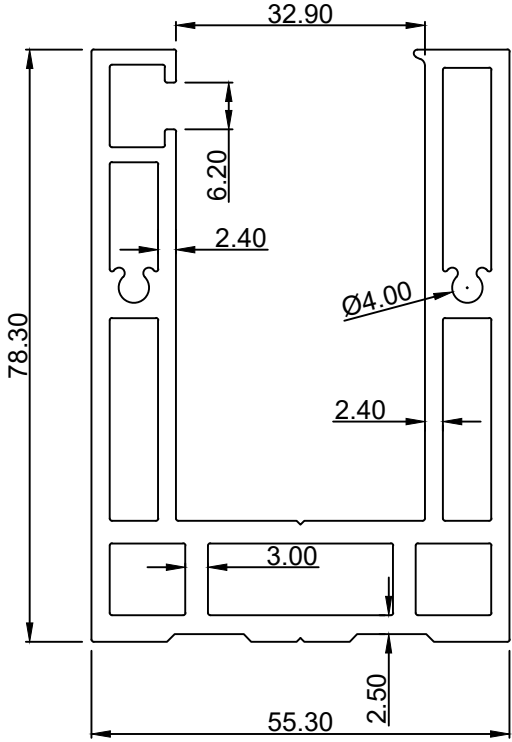
SECTION No.:- SE-1116



27.7725 Kg/12'

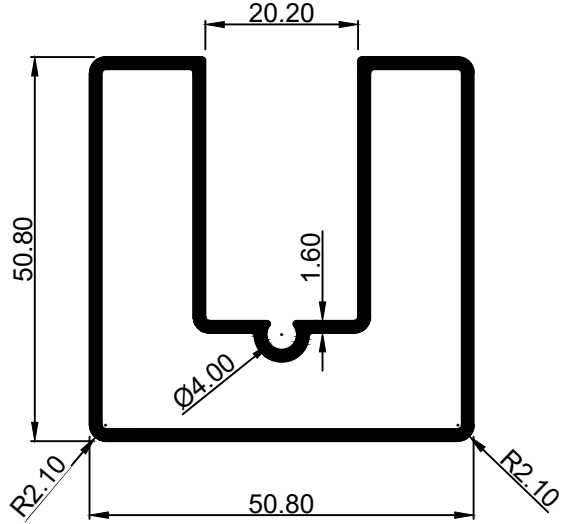
SHREENATHJI EXTRUSION

SECTION No.:- SE-1159



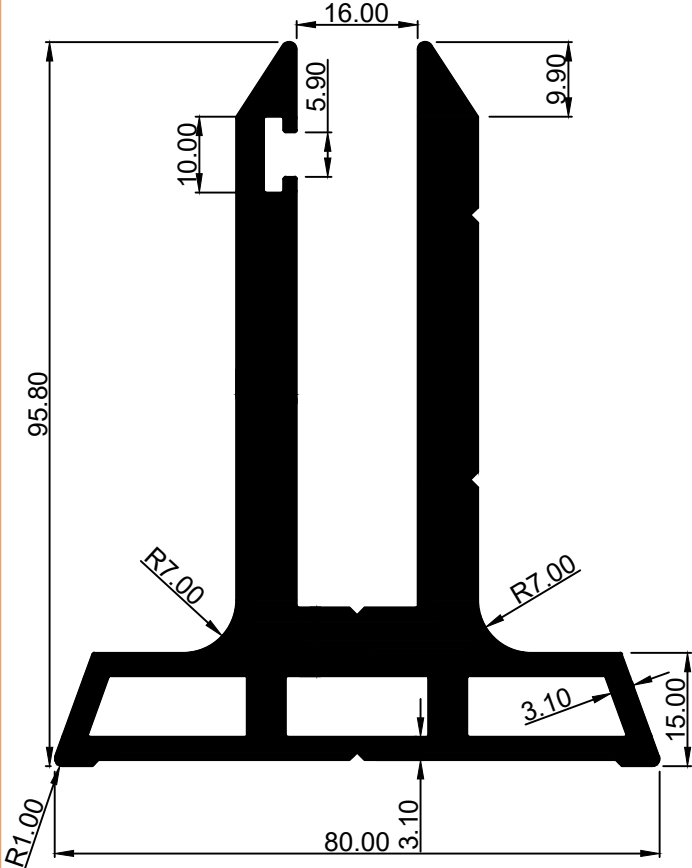
11.0457 Kg/12'

SECTION No.:- SE-1167



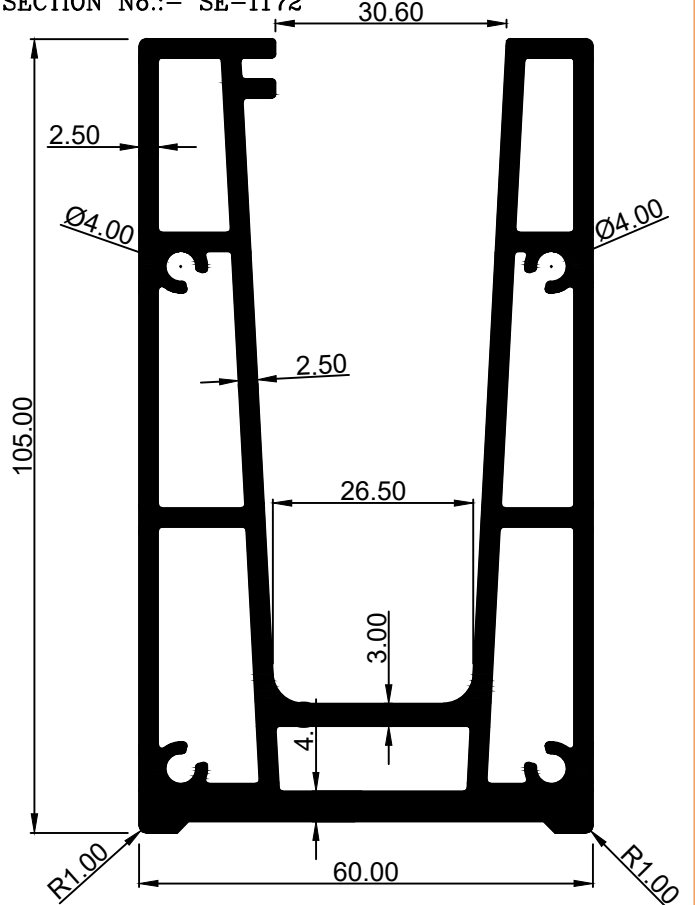
4.2530 Kg/12'

SECTION No.:- SE-1206



18.9222 Kg/12''

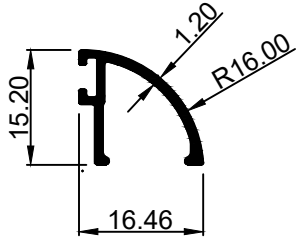
SECTION No.:- SE-1172



15.5853 Kg/12'

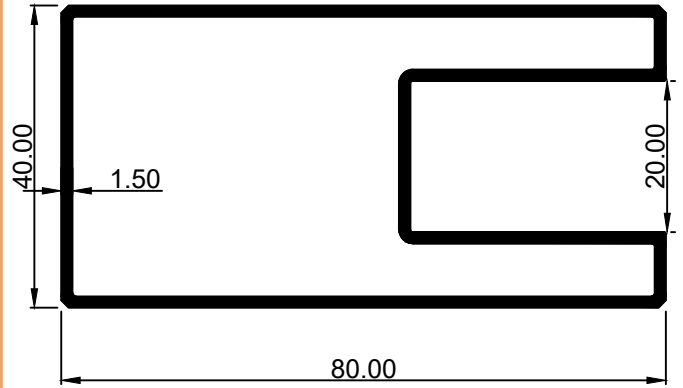
SHREENATHJI EXTRUSION

SECTION No.:- SE-1239



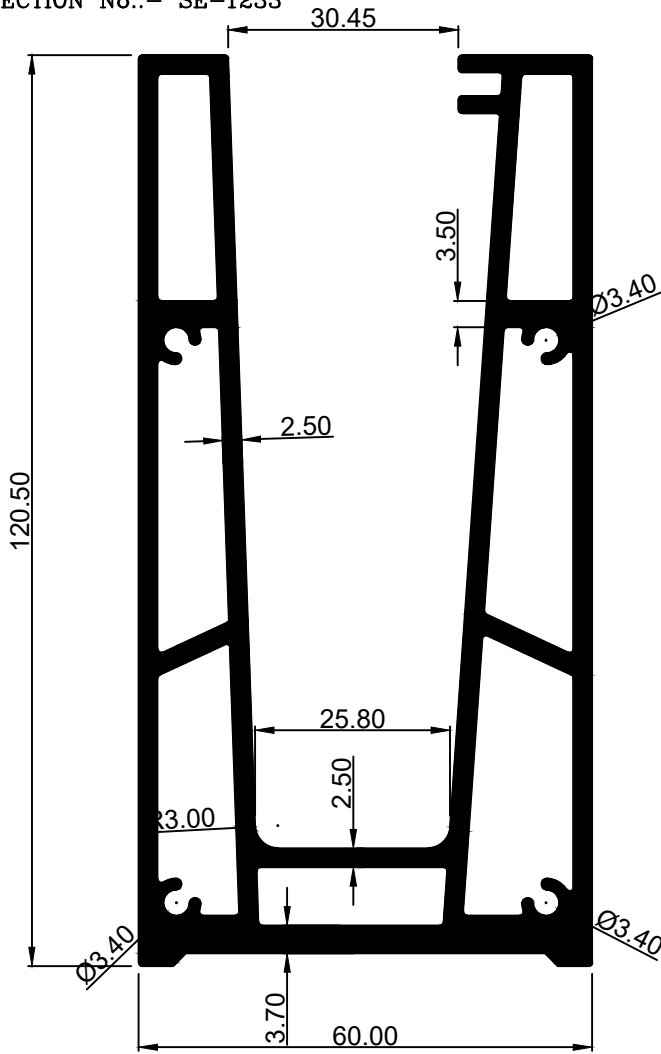
0.4892 Kg/12''

SECTION No.:-SE-1344



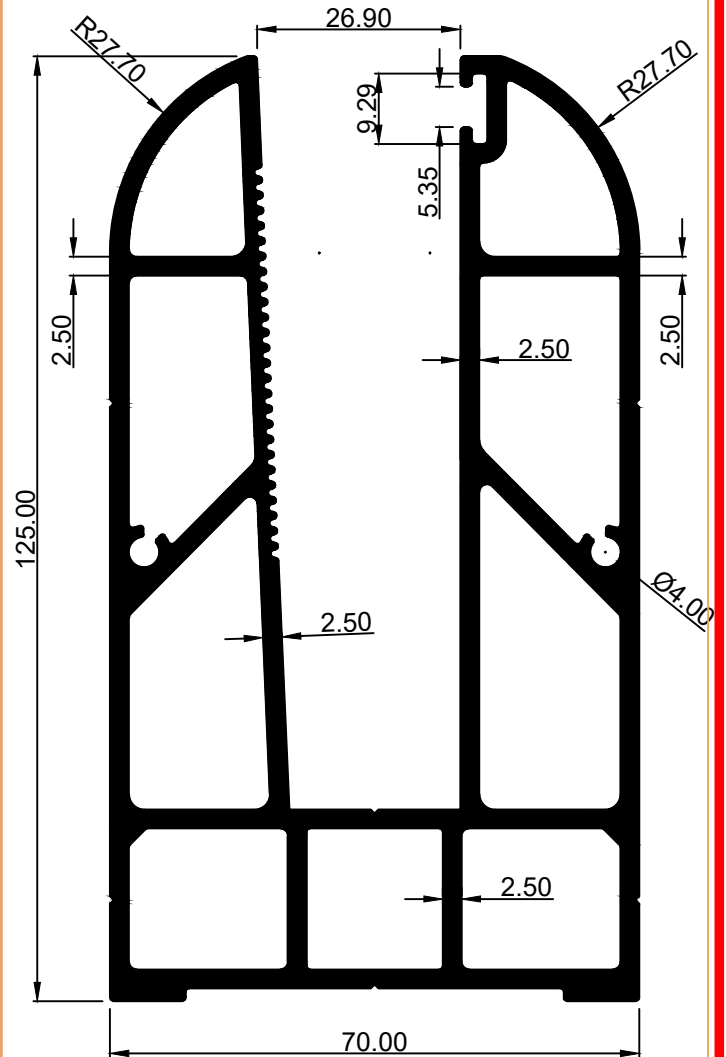
4.4391 Kg/12''

SECTION No.:- SE-1233



17.0527 Kg/12''

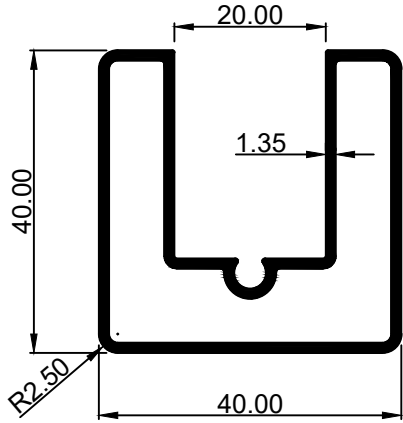
SECTION No.:- SE-1227



18.1361 Kg/12''

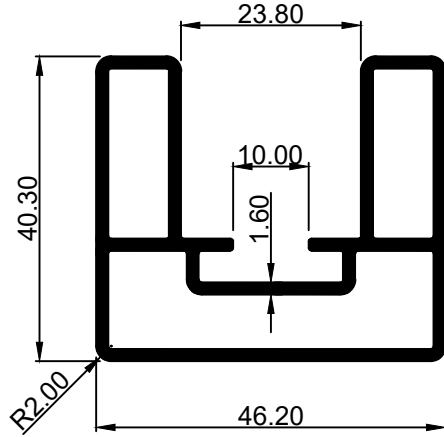
SHREENATHJI EXTRUSION

SECTION No.:--SE-1345



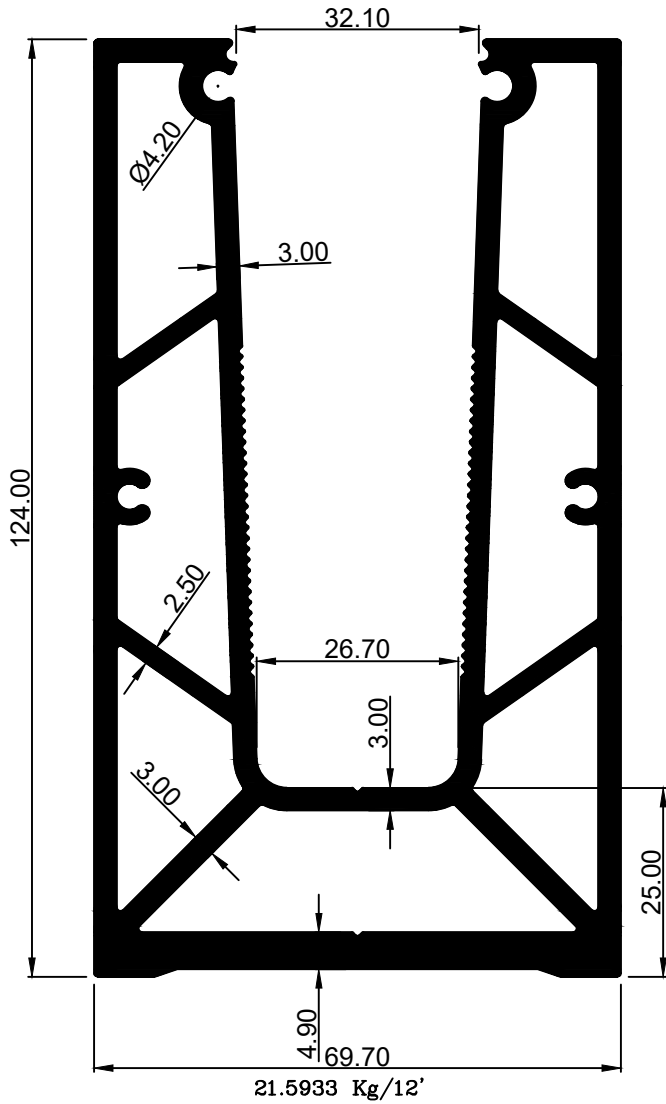
2.8276 Kg/12'

SECTION No.:--SE-1367



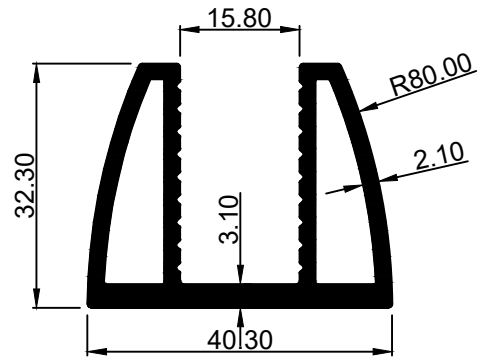
3.9140 Kg/12'

SECTION No.:--SE-1368



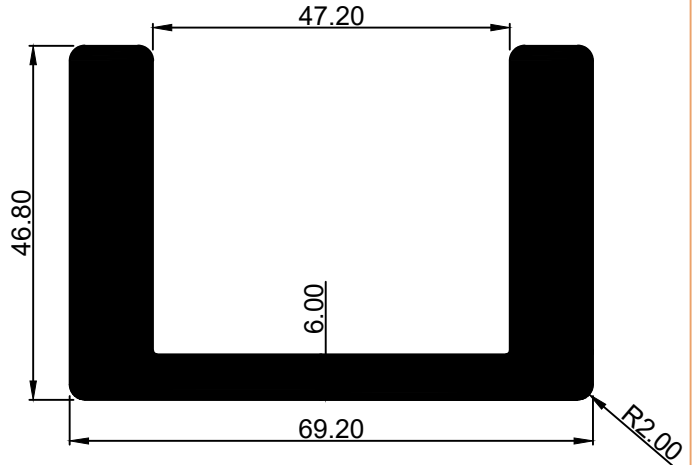
21.5933 Kg/12'

SECTION No.:--SE-1407



3.6896 Kg/12'

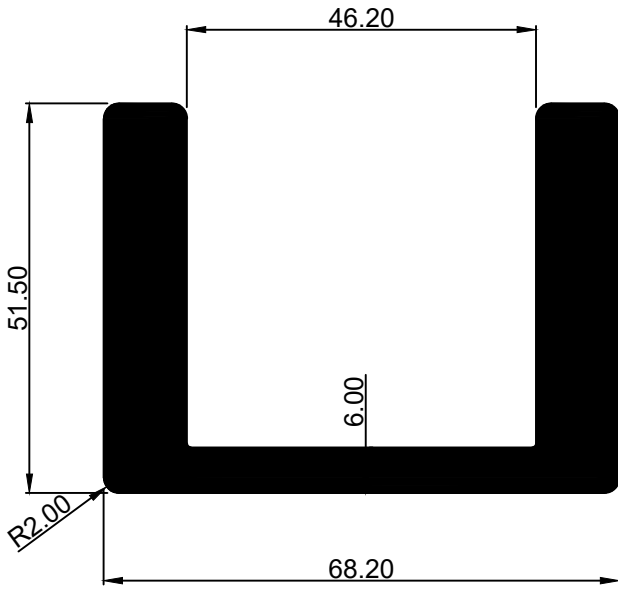
SECTION No.:--SE-1414



12.9232 Kg/12'

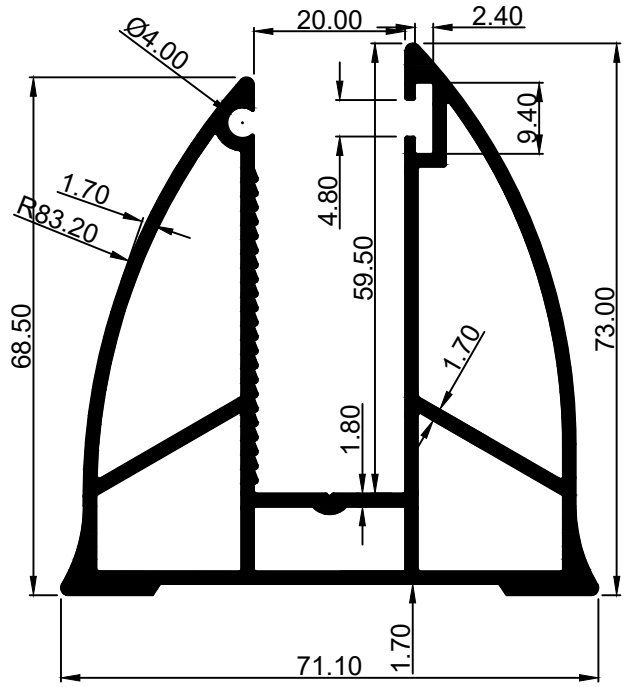
SHREENATHJI EXTRUSION

SECTION No.:—SE-1415



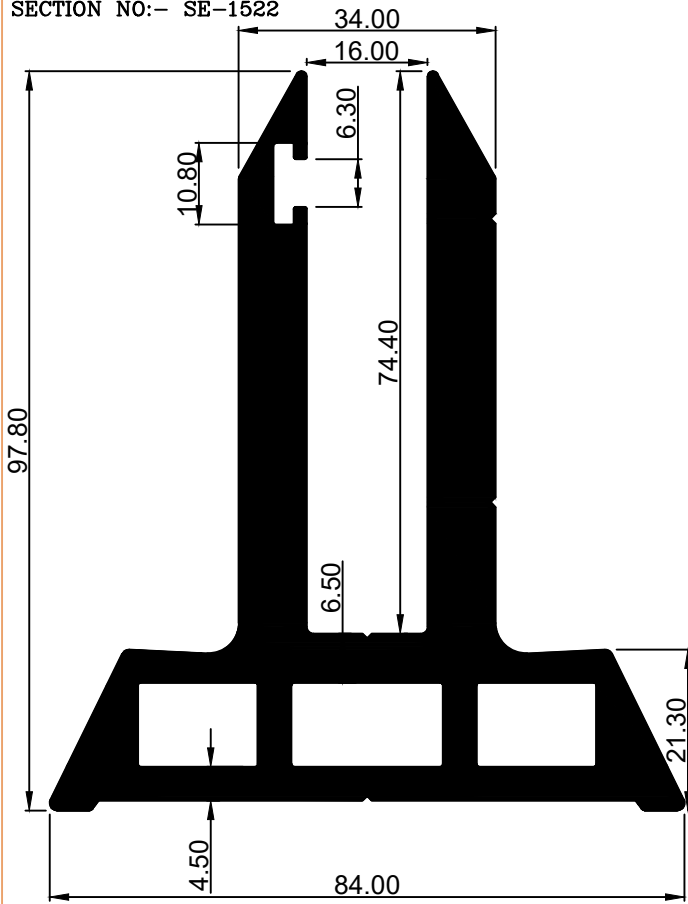
13.8857 Kg/12'

SECTION NO:— SE-1652



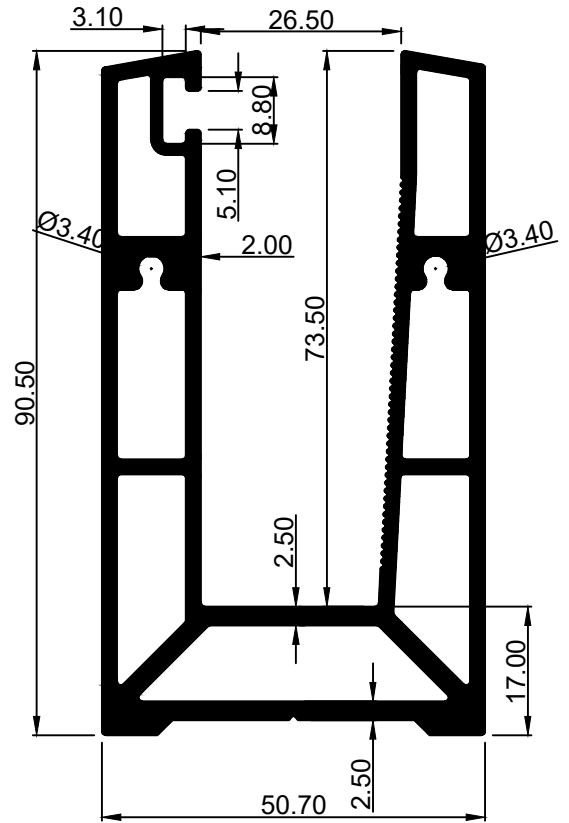
WEIGHT:— 7.7033 Kg/12'

SECTION NO:— SE-1522



WEIGHT:— 21.5429 Kg/12'

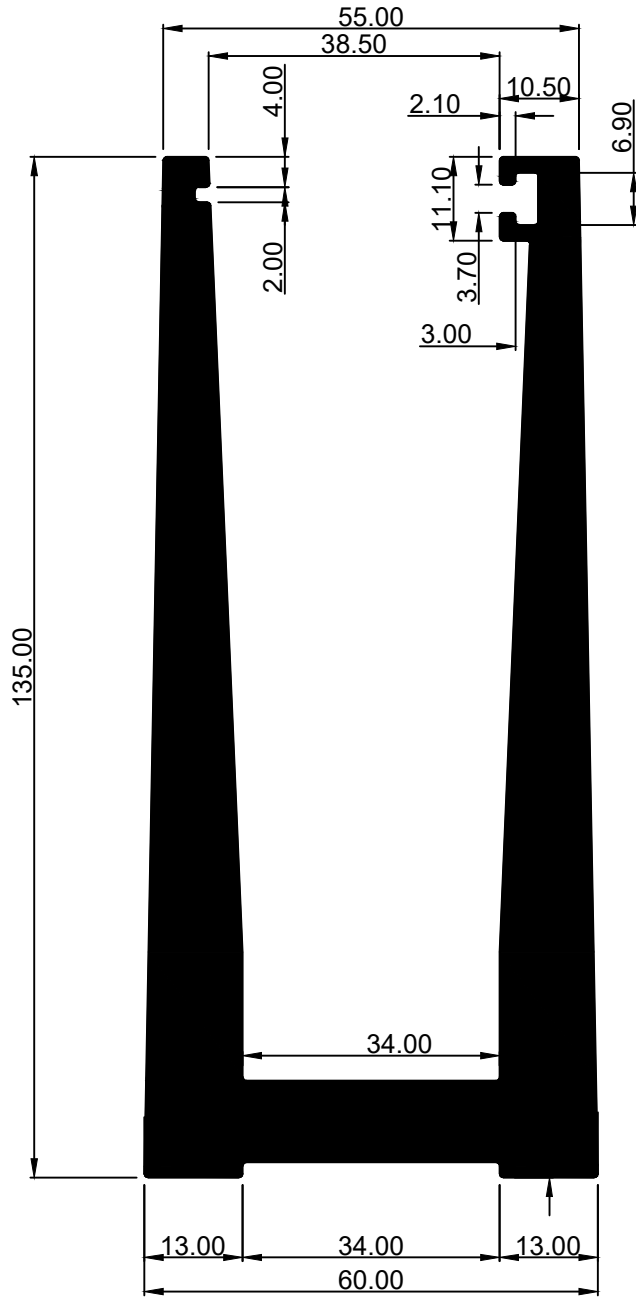
SECTION NO:— SE-1559



WEIGHT:— 10.8448 Kg/12'

SHREENATHJI EXTRUSION

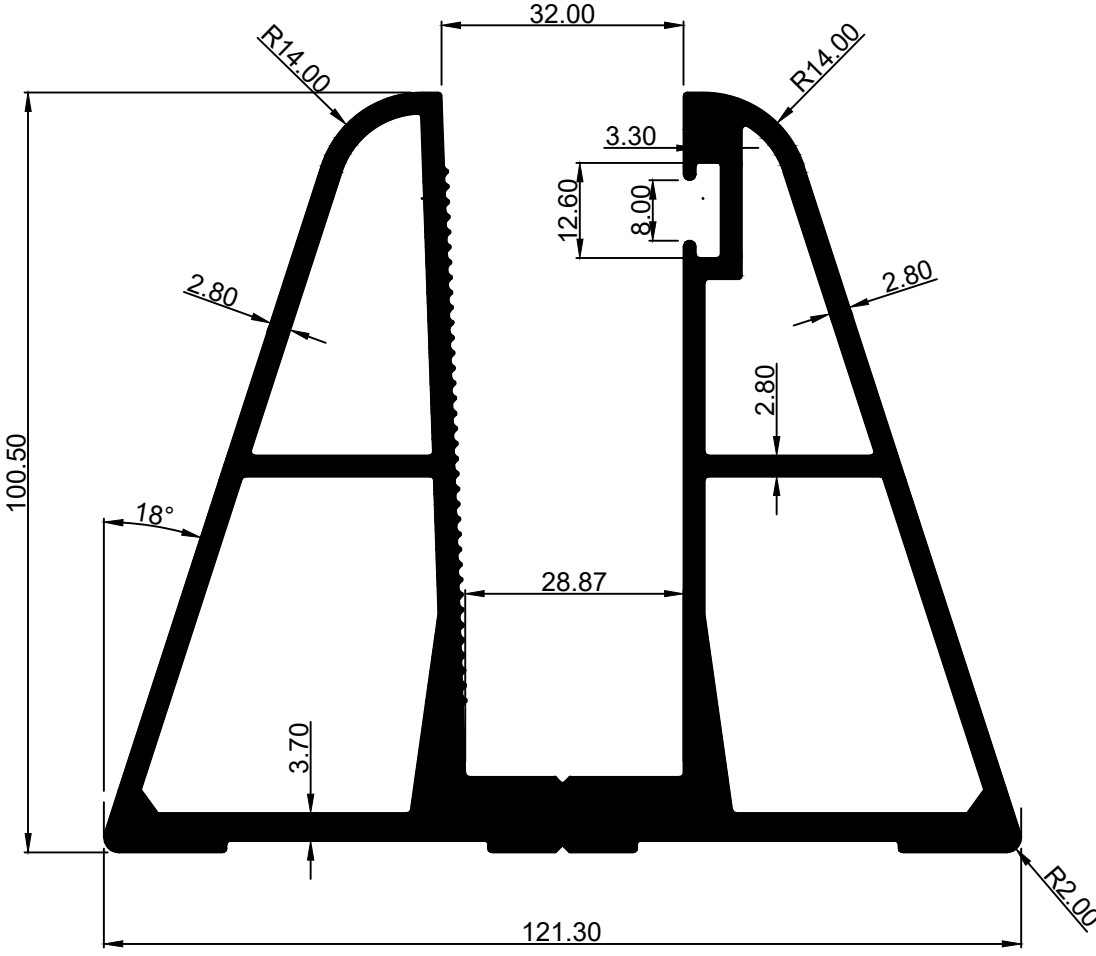
SECTION No.:- SE-1281



30.4439 Kg/12''

SHREENATHJI EXTRUSION

SECTION NO:- SE-1619



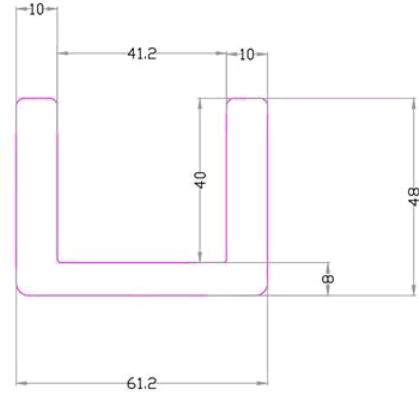
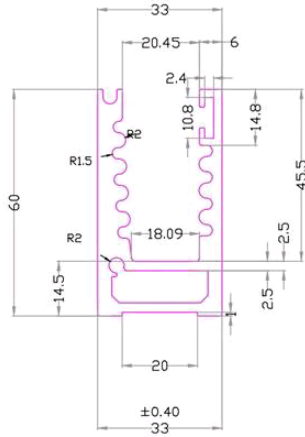
WEIGHT:- 20.7553 Kg/12'

Shreenathji

Extrusion

1162

1163

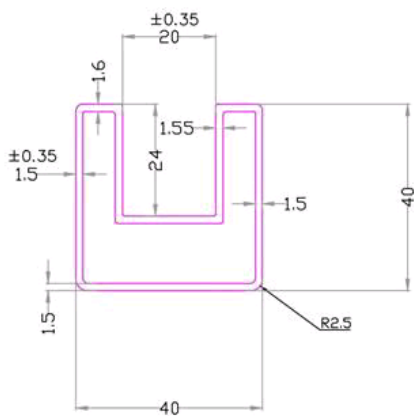


RAILING

RAILING

1164

30439



SEC. NO:-30439

8195



WEIGHT:- 19.032 kg/12'

RAILING

RAILING

Shreenathji

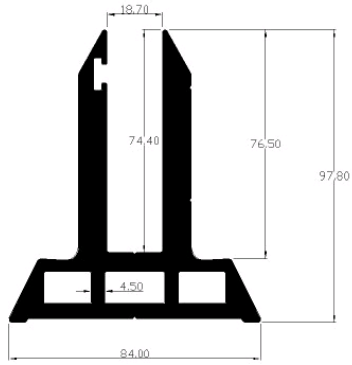
Extrusion

30438

30377

SEC. NO:-30438

8190

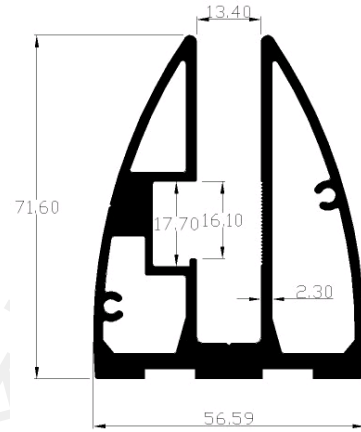


WEIGHT:- 22.509 kg/12'

RAILING

SEC. NO:-30377

8068



WEIGHT:- 9.980 kg/12'

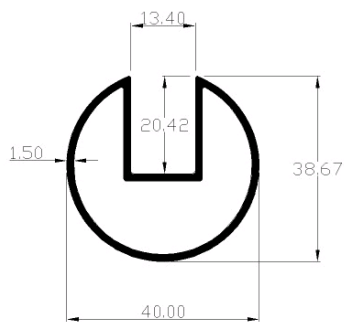
RAILING

30378

30462

SEC. NO:-30378

8067

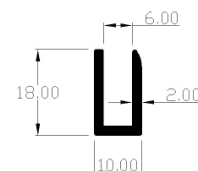


WEIGHT:- 2.390 kg/12'

RAILING

SEC. NO:-30462

8199



WEIGHT:- 0.810 kg/12'

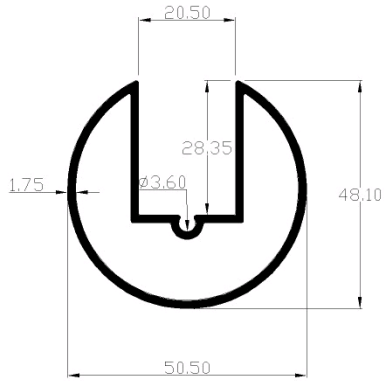
RAILING

Shreenathji

30467

SEC. NO:-30467

8206

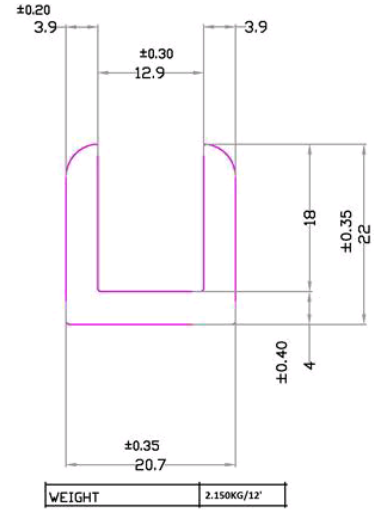


WEIGHT:- 3.600 kg/12'

RAILING

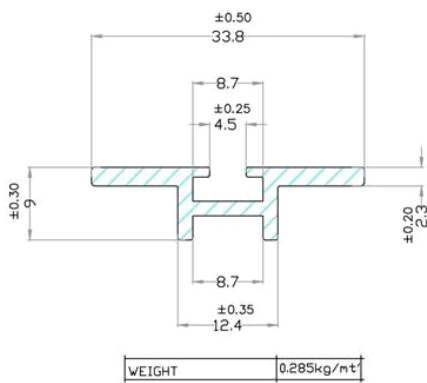
Extrusion

8189



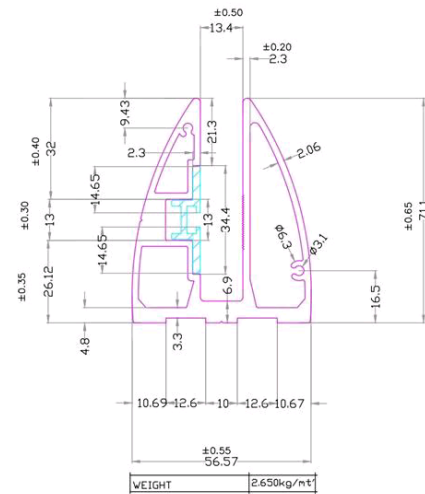
RAILING

8279



RAILING

8280



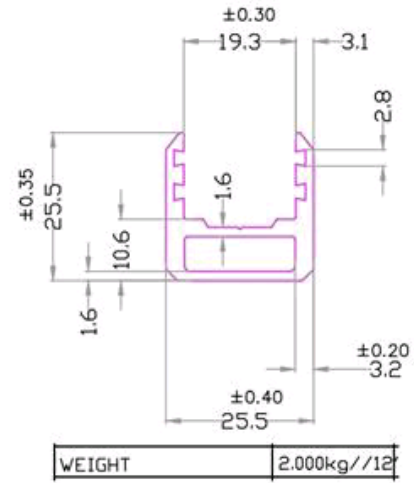
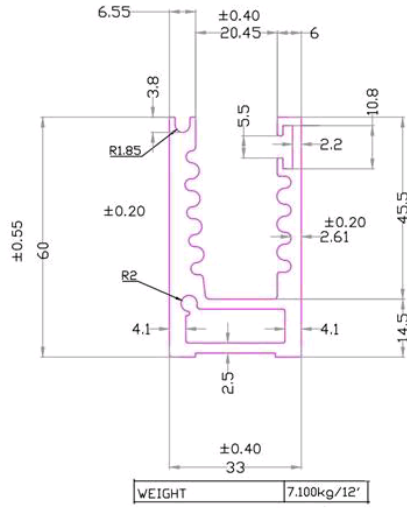
RAILING

Shreenathji

Extrusion

8295

8305

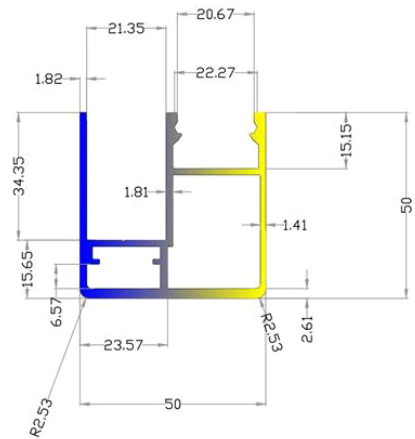
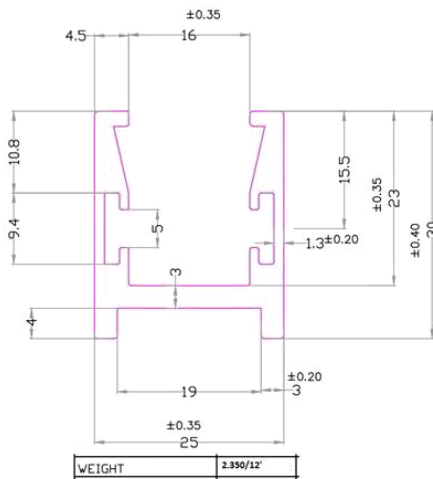


RAILING

RAILING

8307

8320 M



RAILING

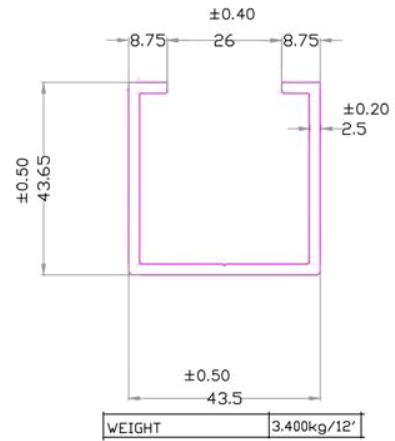
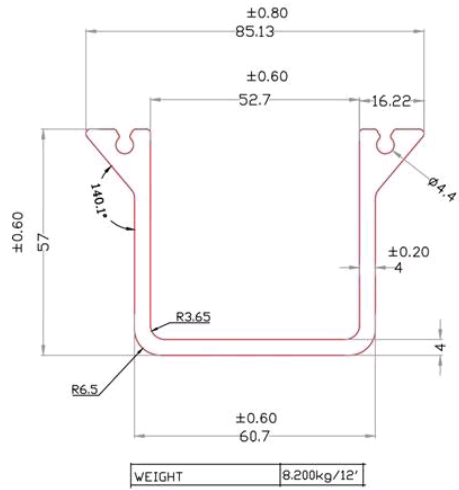
RAILING

Shreenathji

Extrusion

8363

8364

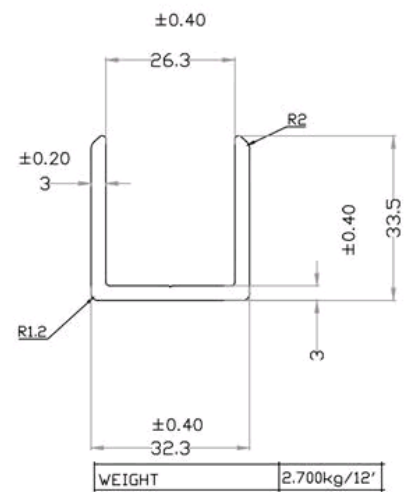
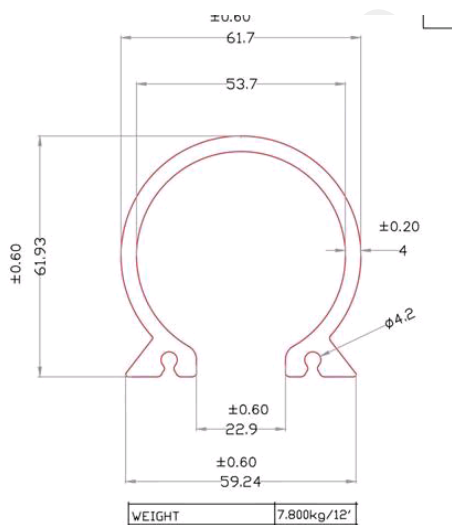


RAILING

RAILING

8365

8366



RAILING

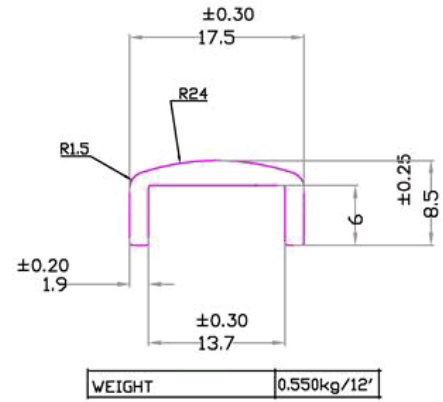
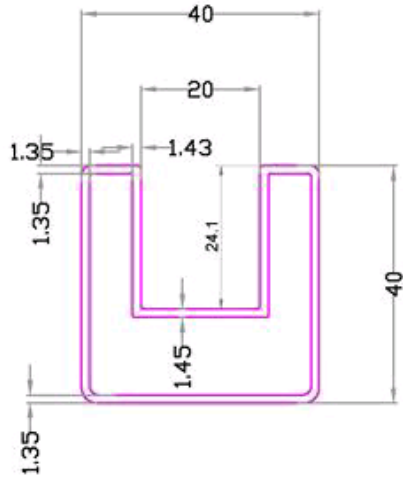
RAILING

Shreenathji

Extrusion

8375

8378

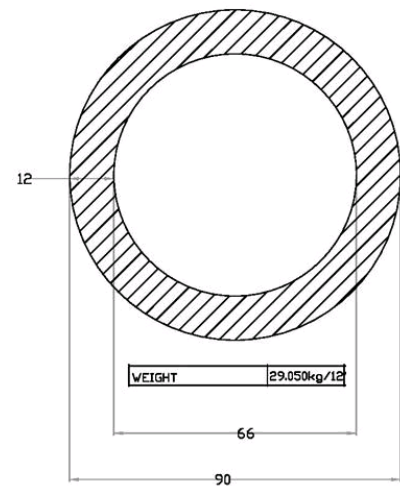
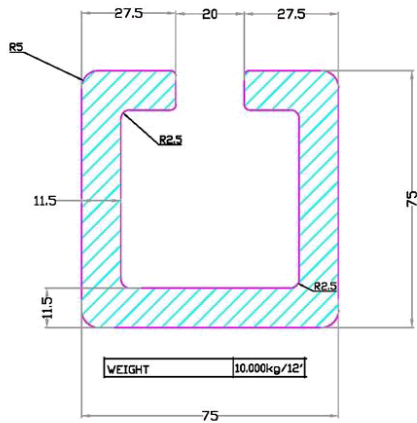


RAILING

RAILING

8407

8408



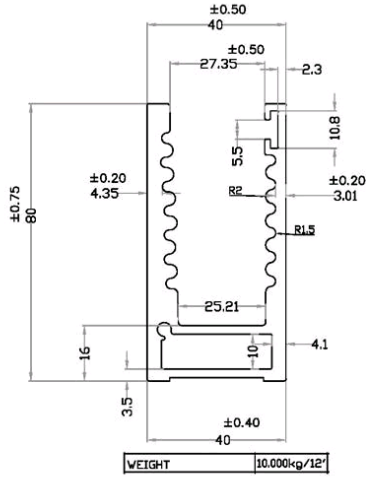
RAILING

RAILING

Shreenathji

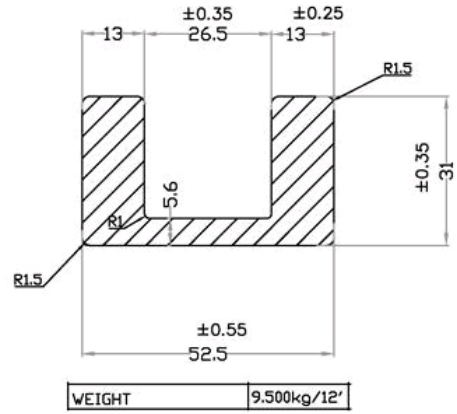
Extrusion

8409



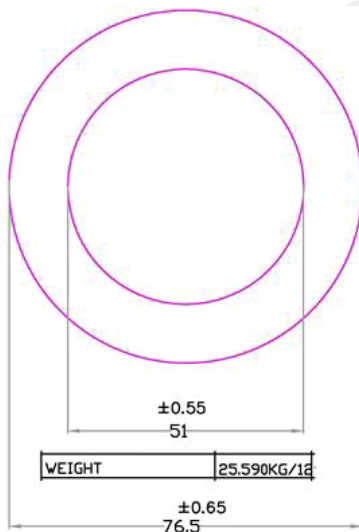
RAILING

8415



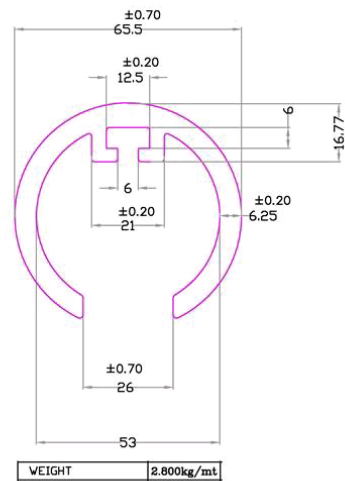
RAILING

8418



RAILING

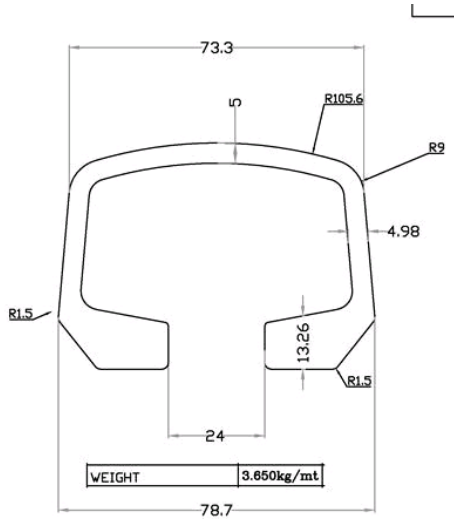
8434



RAILING

Shreenathji

8435

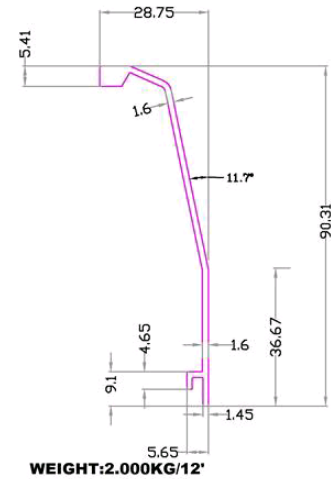


RAILING

Extrusion

8447

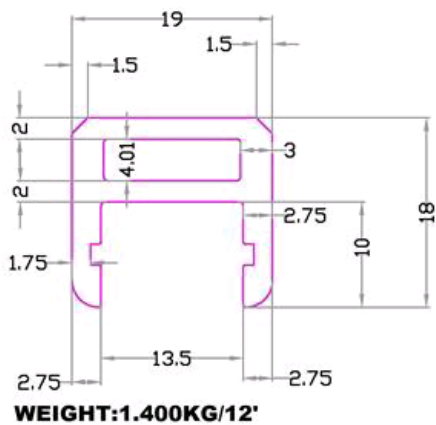
SEC NO:8447



RAILING

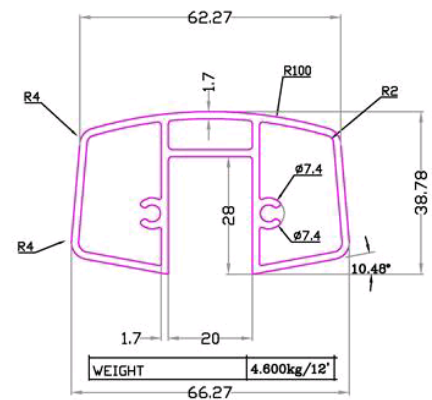
8448

SEC NO:8448



RAILING

8451



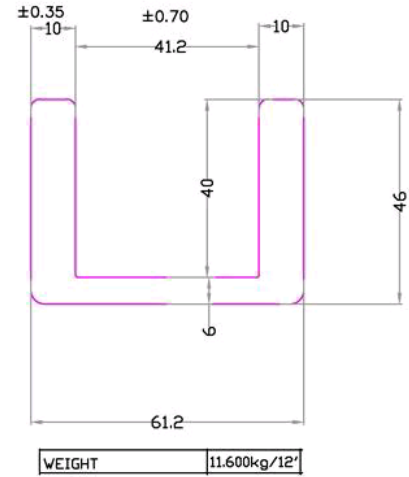
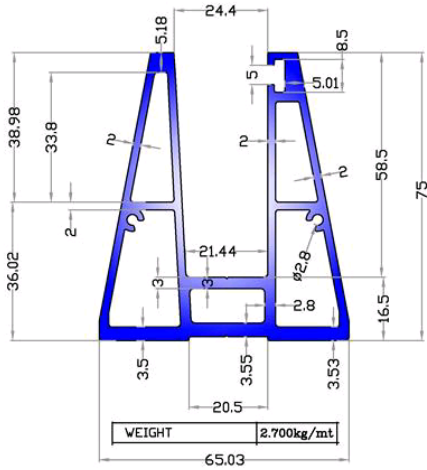
RAILING

Shreenathji

Extrusion

8455

8461

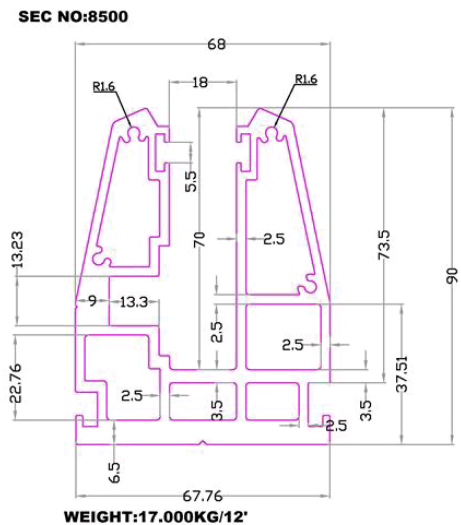
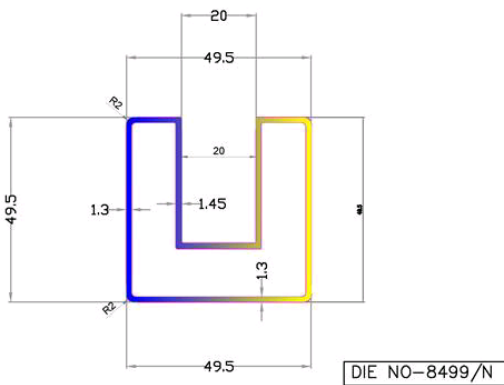


RAILING

RAILING

8499

8500



RAILING

RAILING

Shreenathji

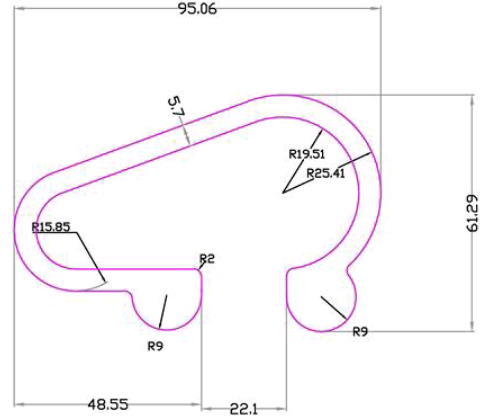
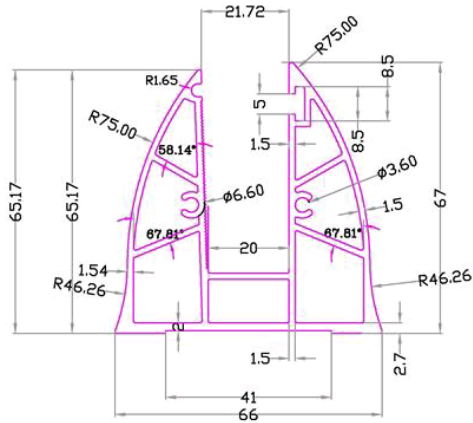
Extrusion

8572

8573

SEC NO:8572

SEC NO:8573



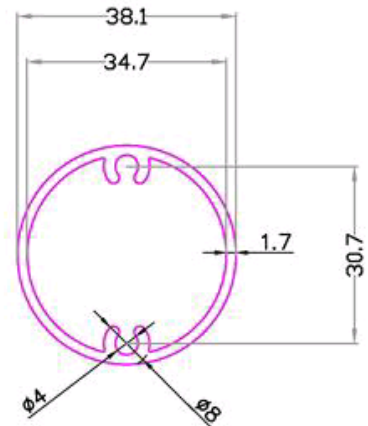
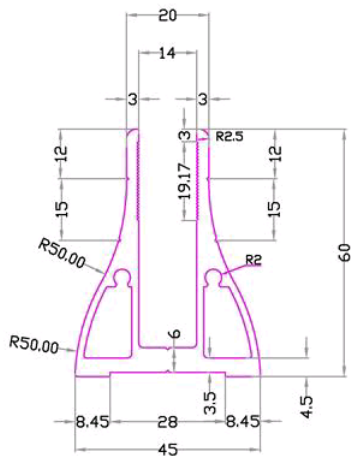
RAILING

RAILING

8579

8583

SEC NO:8579



RAILING

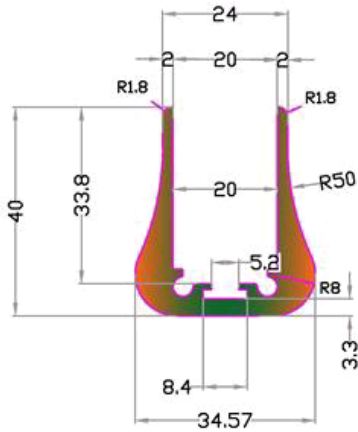
RAILING

Shreenathji

Extrusion

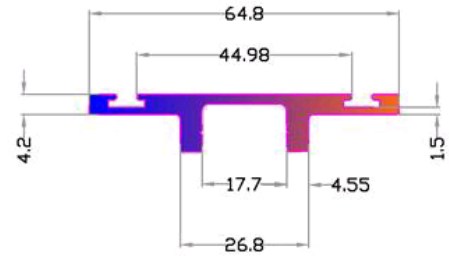
8636

SEC NO:8636



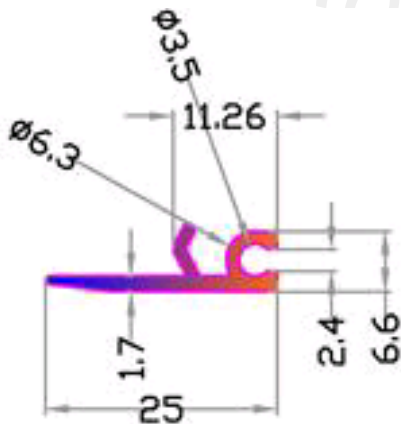
RAILING

8648



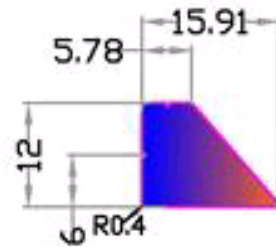
RAILING

8649



RAILING

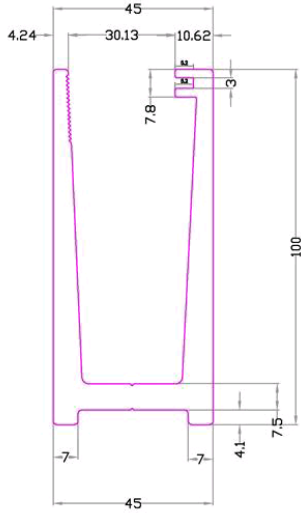
8650



RAILING

Shreenathji

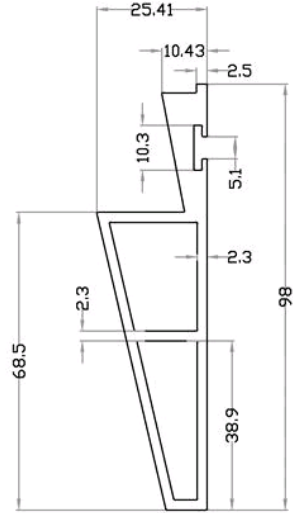
8653



RAILING

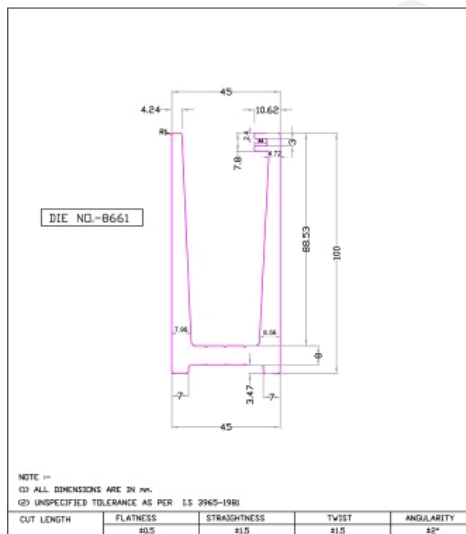
Extrusion

8656



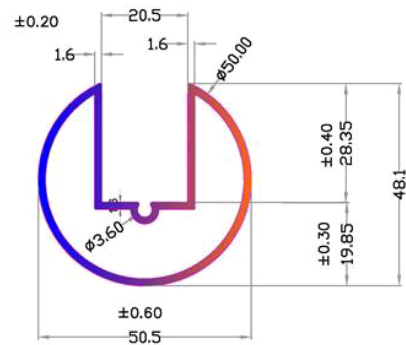
RAILING

8661



RAILING

8662

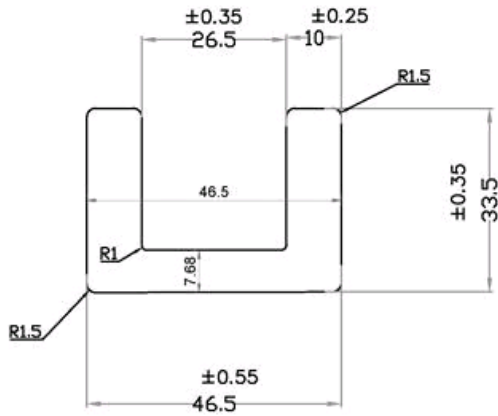


RAILING

Shreenathji

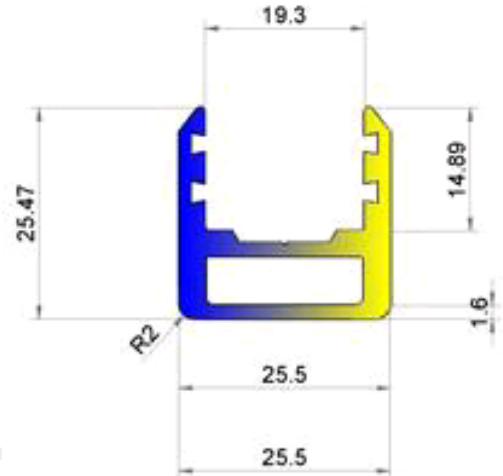
Extrusion

8671



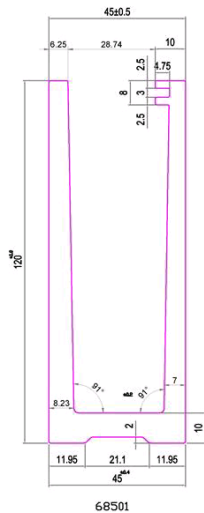
RAILING

8672



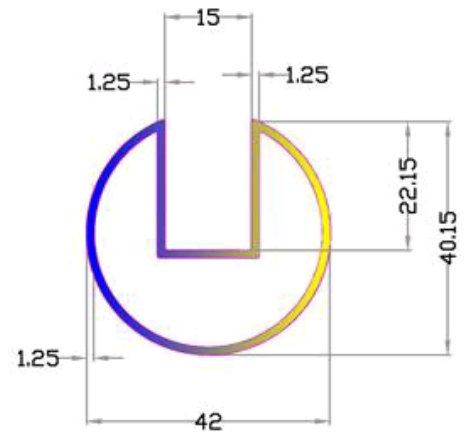
RAILING

8679



RAILING

8716



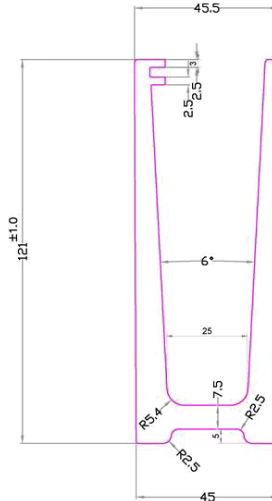
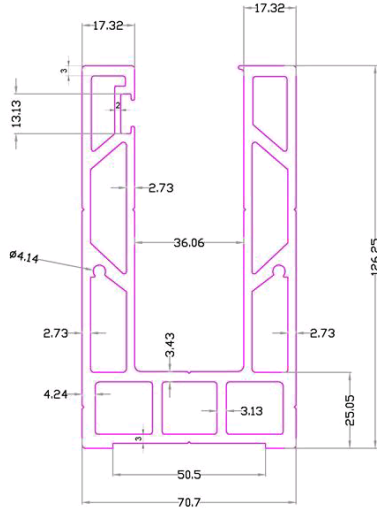
RAILING

Shreenathji

Extrusion

8719

8726

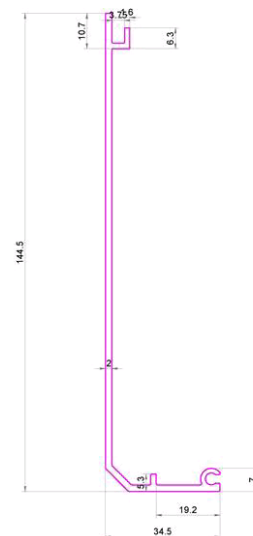
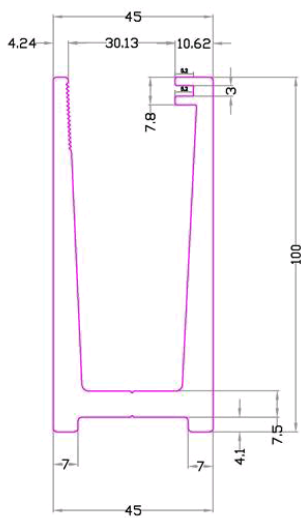


RAILING

RAILING

8731

8732

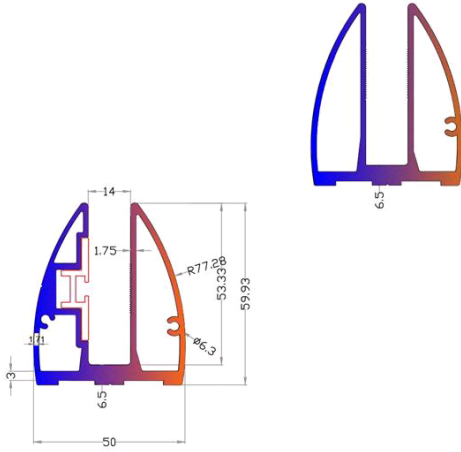


RAILING

RAILING

Shreenathji

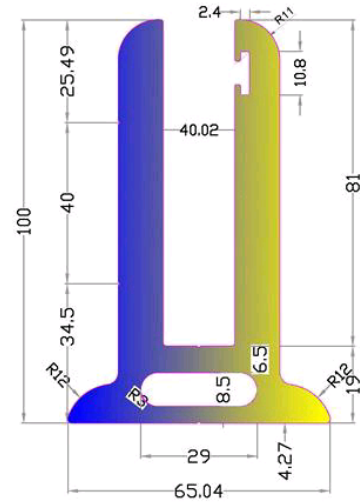
8733



RAILING

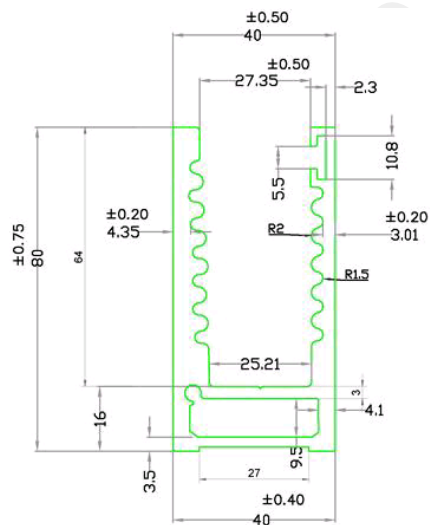
Extrusion

8751



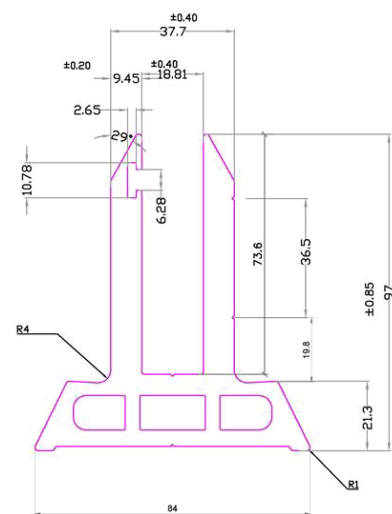
RAILING

8752



RAILING

8753

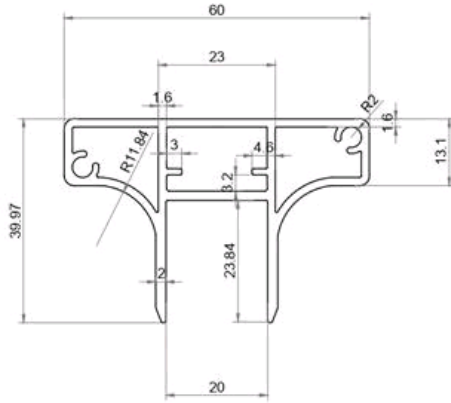


RAILING

Shreenathji

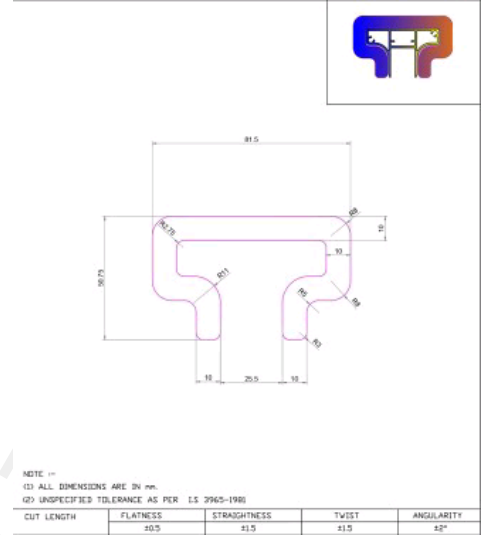
Extrusion

8765



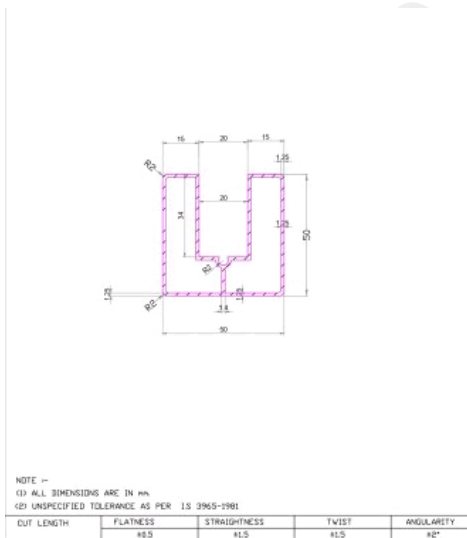
RAILING

8766



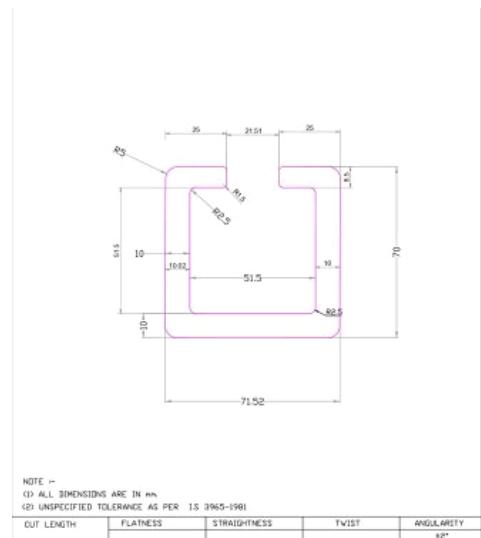
RAILING

8767



RAILING

8768

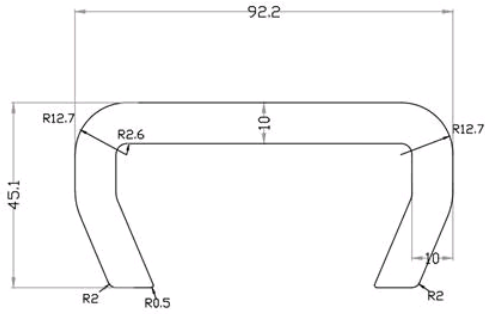


RAILING

Shreenathji

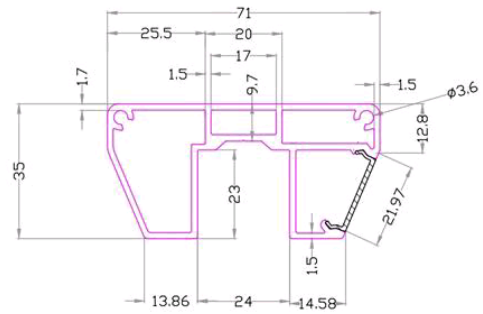
Extrusion

8780



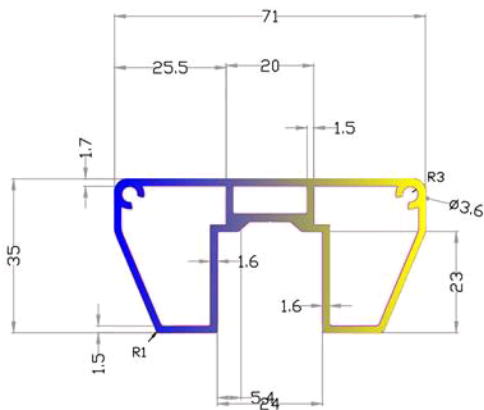
RAILING

8782



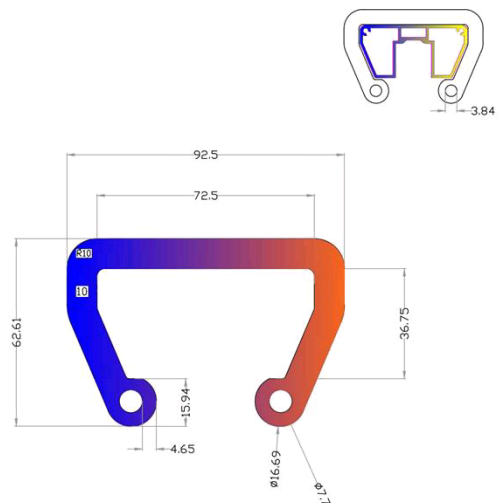
RAILING

8783



RAILING

8784

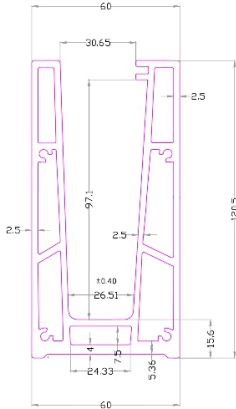


RAILING

Shreenathji

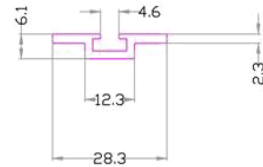
Extrusion

8788



RAILING

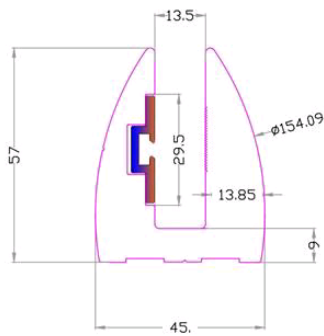
8794



DIE.No -8794
WEIGHT-0.850kg/12'

RAILING

8795

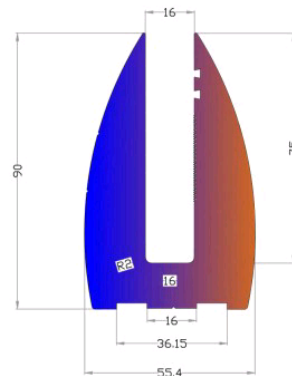


DIE.No -8795
WEIGHT-0.850kg/12'

RAILING

8915

8915

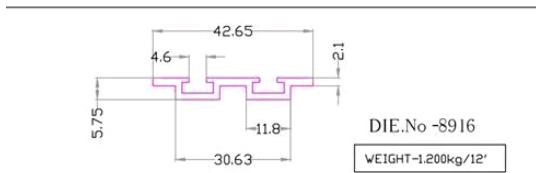


RAILING

Shreenathji

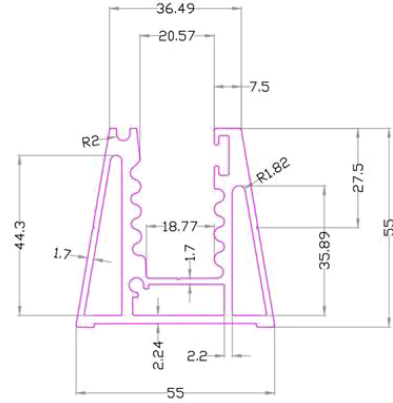
Extrusion

8916



RAILING

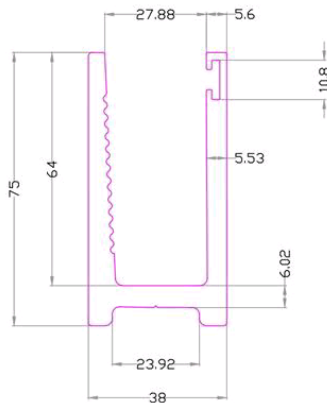
8918



DIE NO.-8918

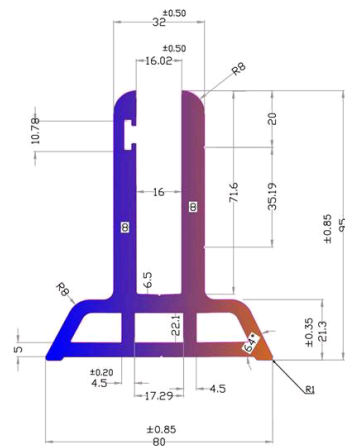
RAILING

8925



RAILING

8936



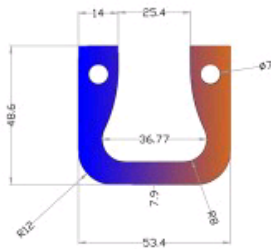
RAILING

Shreenathji

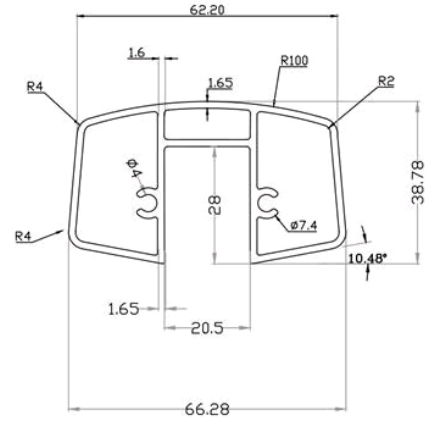
Extrusion

8937

8941



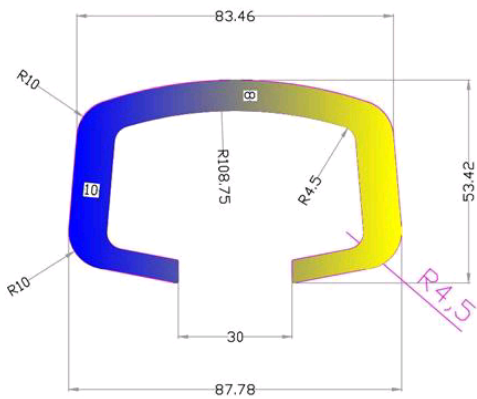
RAILING



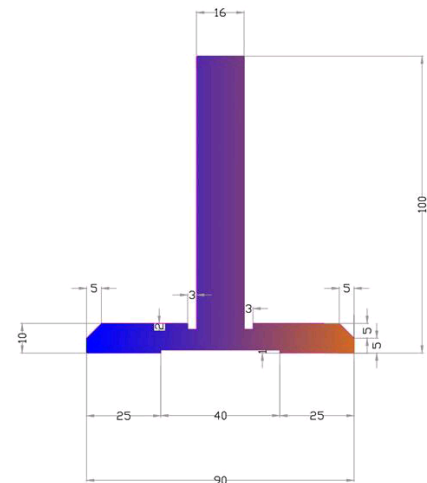
RAILING

8942

8943



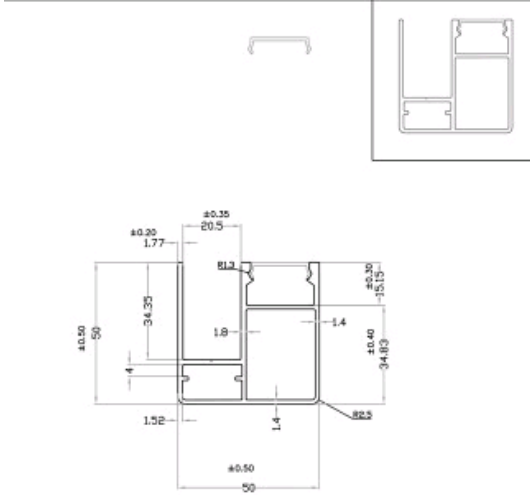
RAILING



RAILING

Shreenathji

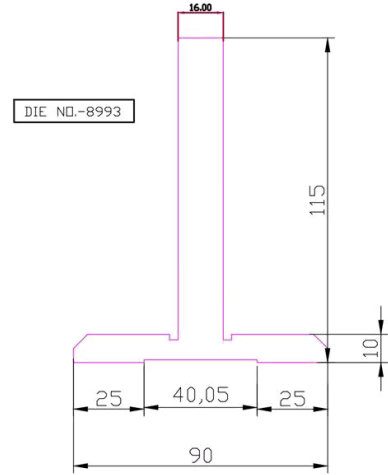
8953



RAILING

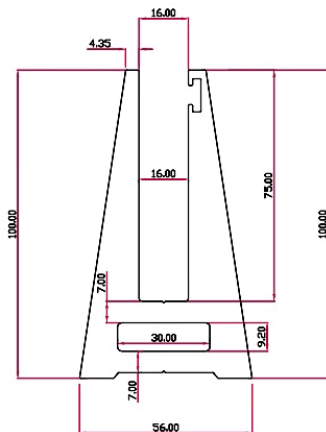
Extrusion

8993



INDUSTRIAL,RAILING

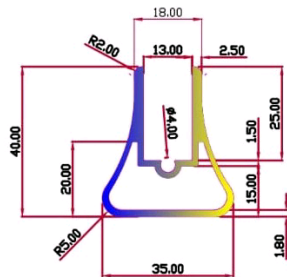
9009



DIE,NO:-9009
WEIGHT:-6.830KG/MTR

RAILING

9016



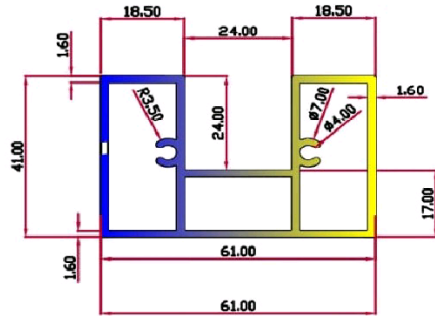
DIE NO: 9016
WEIGHT-2.700kg/12'

RAILING

Shreenathji

Extrusion

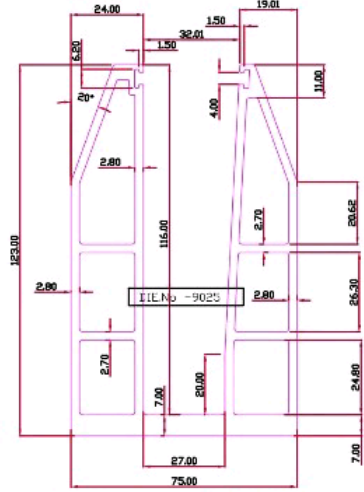
9017



DIE NO : 9017
WEIGHT : 4.650 KG

RAILING

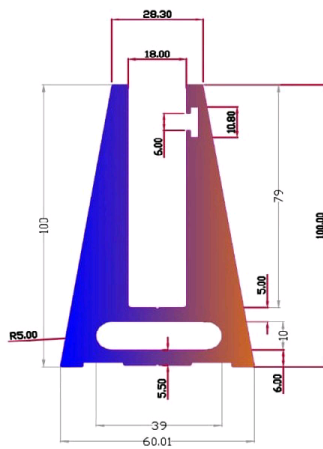
9025



DIE NO. : 9025
WEIGHT : 5.500 KG

HEX HOLLW,RAILING

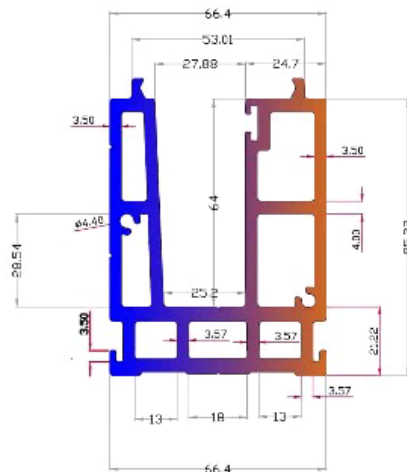
9026



DIE NO : 9026
WEIGHT : 6.900 KG

RAILING

9027



DIE NO : 9027
WEIGHT : 5.280 KG

RAILING

