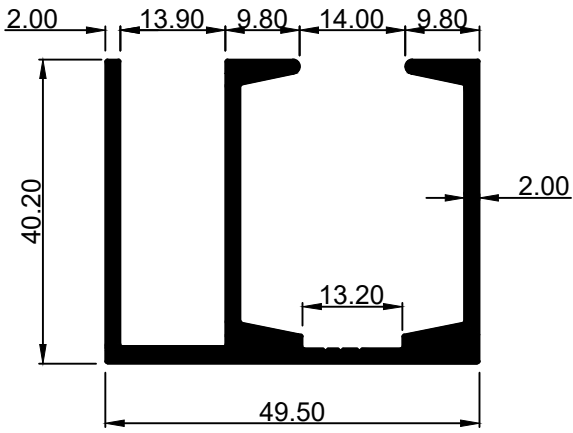


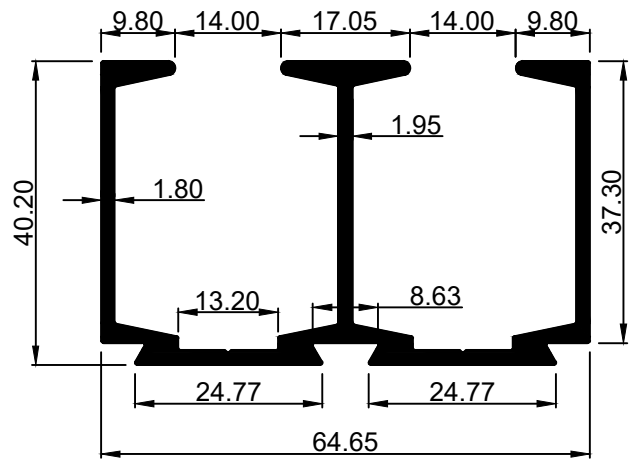
# SHREENATHJI EXTRUSION

SEC. NO:-15976



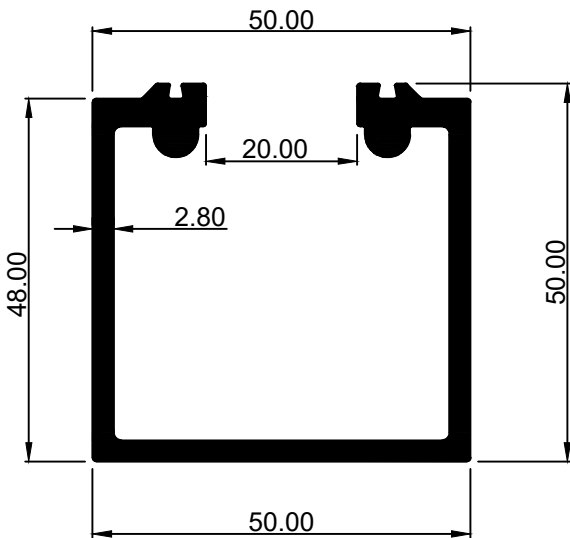
WEIGHT:- 4.088 kg/12'

SEC. NO:-15977



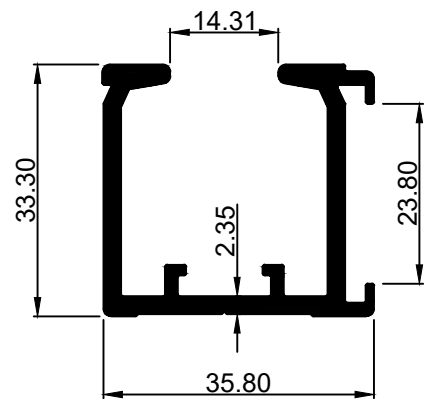
WEIGHT:- 4.472 kg/12'

SEC. NO:-30206



WEIGHT:- 5.410 kg/12'

SECTION No.:- SE-708

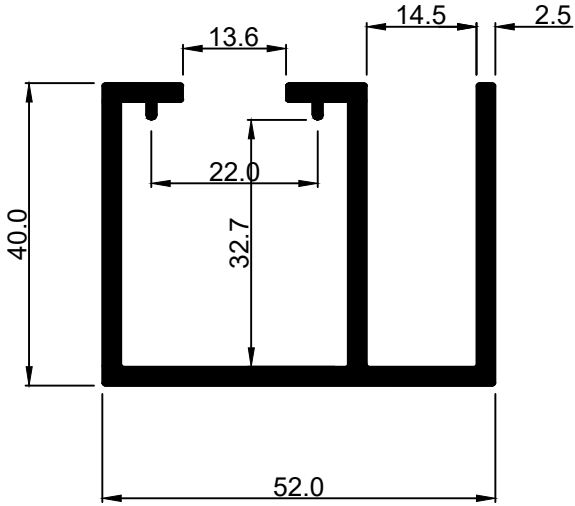


2.908 Kg/12'

# SHREENATHJI EXTRUSION

SEC. NO:-30537

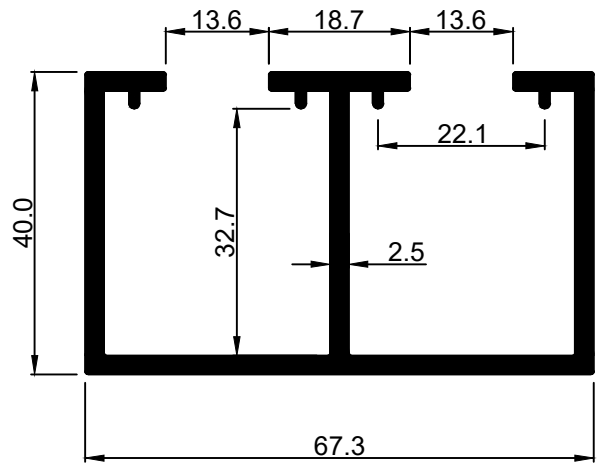
8316



WEIGHT:- 4.527 kg/12'

SEC. NO:-30538

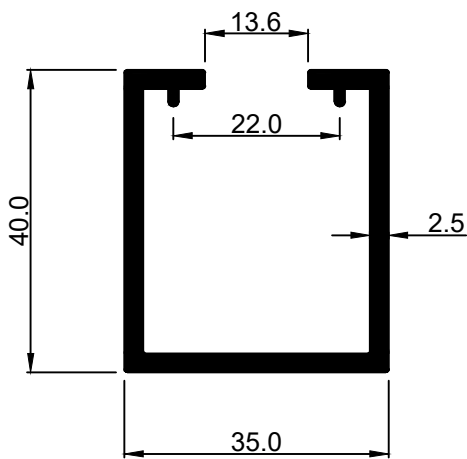
8317



WEIGHT:- 5.365 kg/12'

SEC. NO:-30539

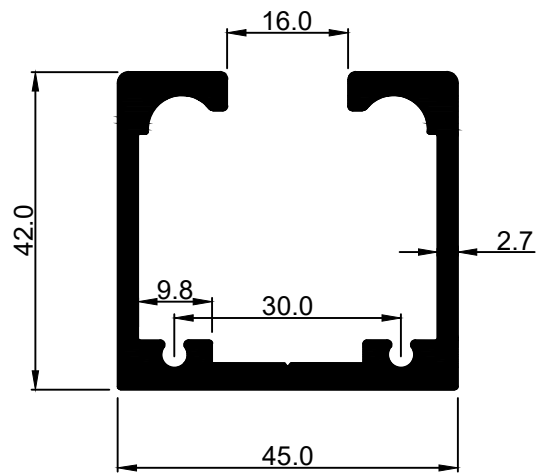
8318



WEIGHT:- 3.181 kg/12'

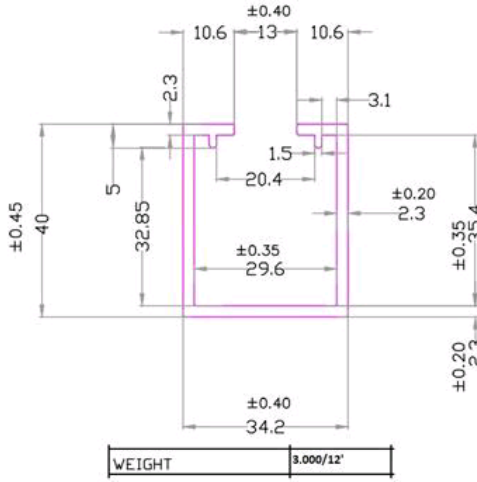
SEC. NO:-30540

8319



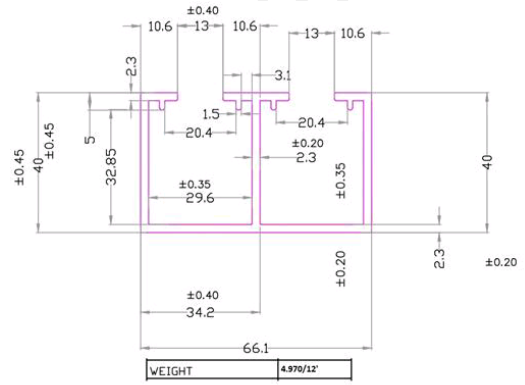
WEIGHT:- 5.043 kg/12'

8346



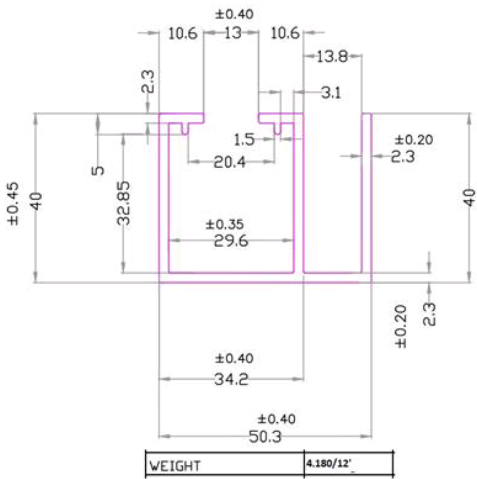
SLIDING DOOR CHANNEL

8347



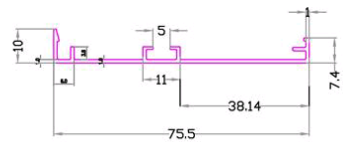
SLIDING DOOR CHANNEL

8348



SLIDING DOOR CHANNEL

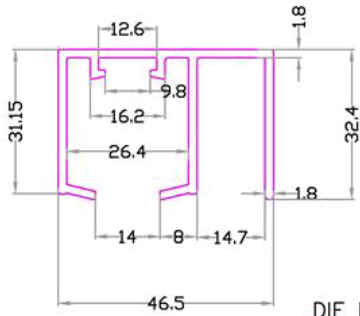
8543



DIE NO-8543  
WEIGHT-1.100kg/12'

SLIDING DOOR CHANNEL

8545

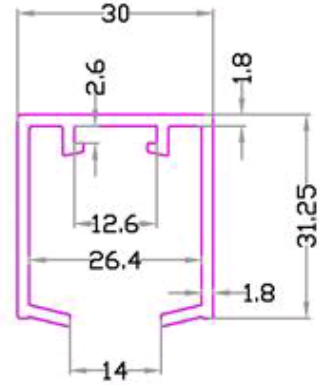


DIE NO-8545  
WEIGHT-2.850kg/12'

SLIDING DOOR CHANNEL

8550

SEC NO:8550



SLIDING DOOR CHANNEL