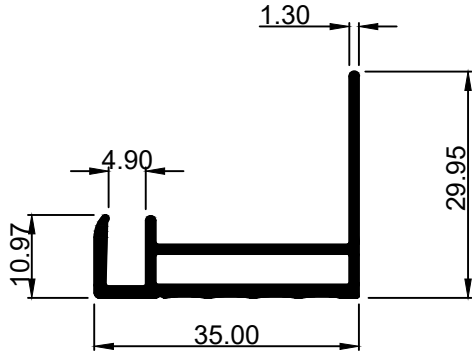


# SHREENATHJI EXTRUSION

SEC. NO:-30184

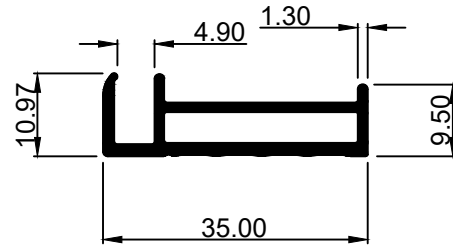
AH-349



WEIGHT:- 1.508 kg/12'

SEC. NO:-30185

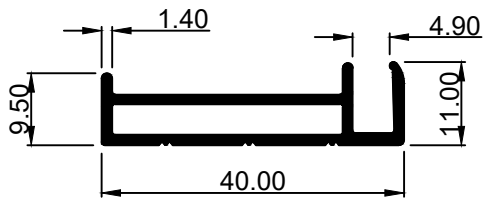
AH-348



WEIGHT:- 1.237 kg/12'

SEC. NO:-30186

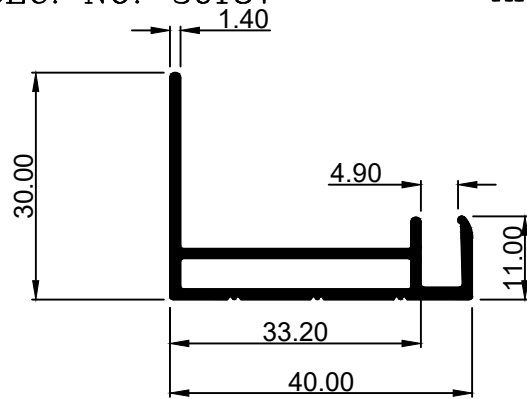
AH-350



WEIGHT:- 1.286 kg/12'

SEC. NO:-30187

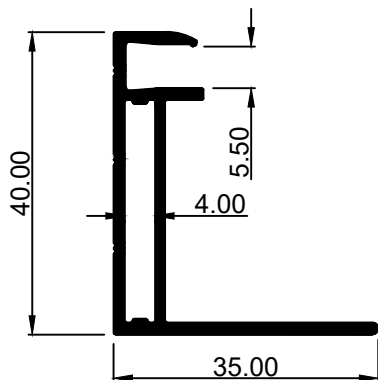
AH-351



WEIGHT:- 1.570 kg/12'

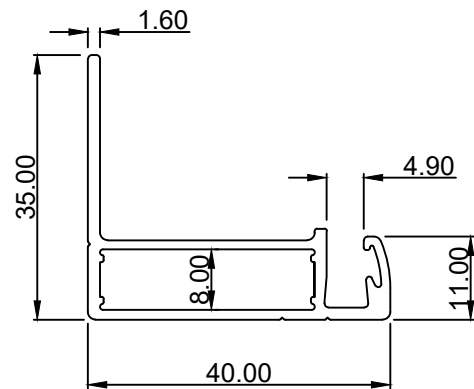
SEC. NO:-30292

SE-98



WEIGHT:- 1.800 kg/12'

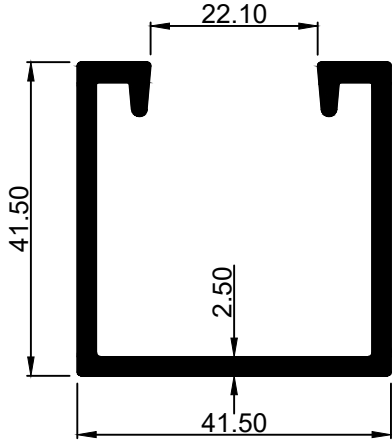
SECTION No.:- SE-317



1.776 KG/12'

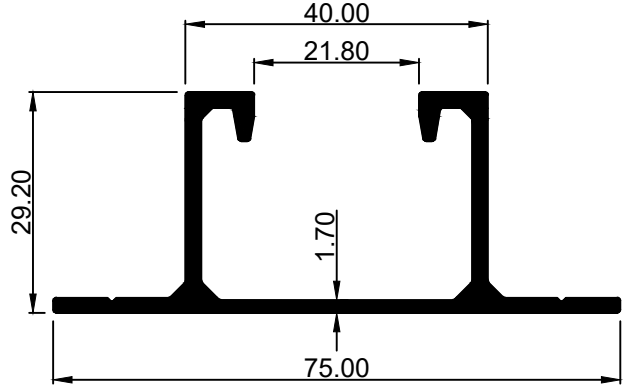
# SHREENATHJI EXTRUSION

SECTION No.:- SE-322



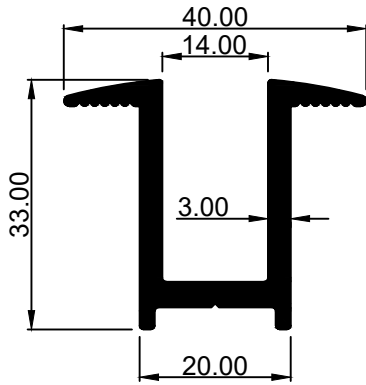
0.962 KG/Mtr.

SECTION No.:- SE-323



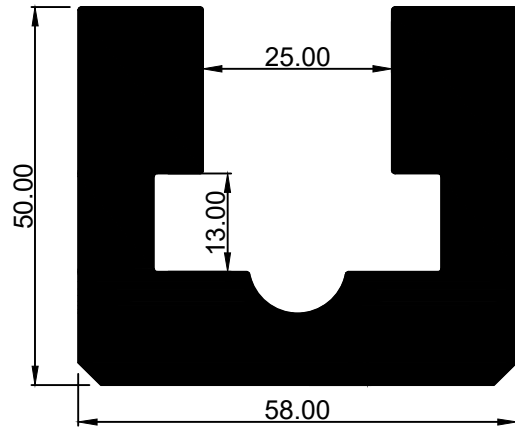
3.104 KG/12'

SECTION No.:- SE-344



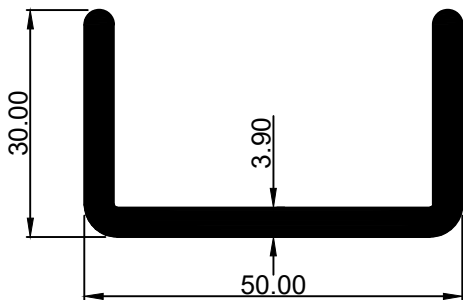
2.796 KG/12'

SECTION No.:- SE-379



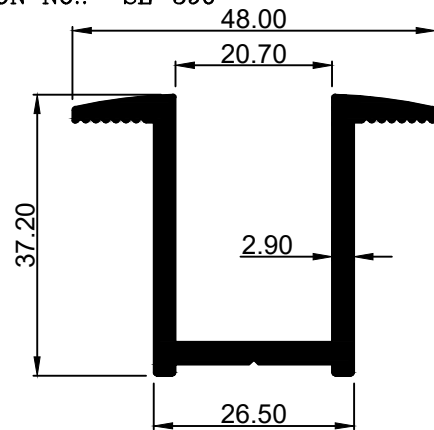
17.723 KG/12'

SECTION No.:- SE-389



3.829 KG/12'

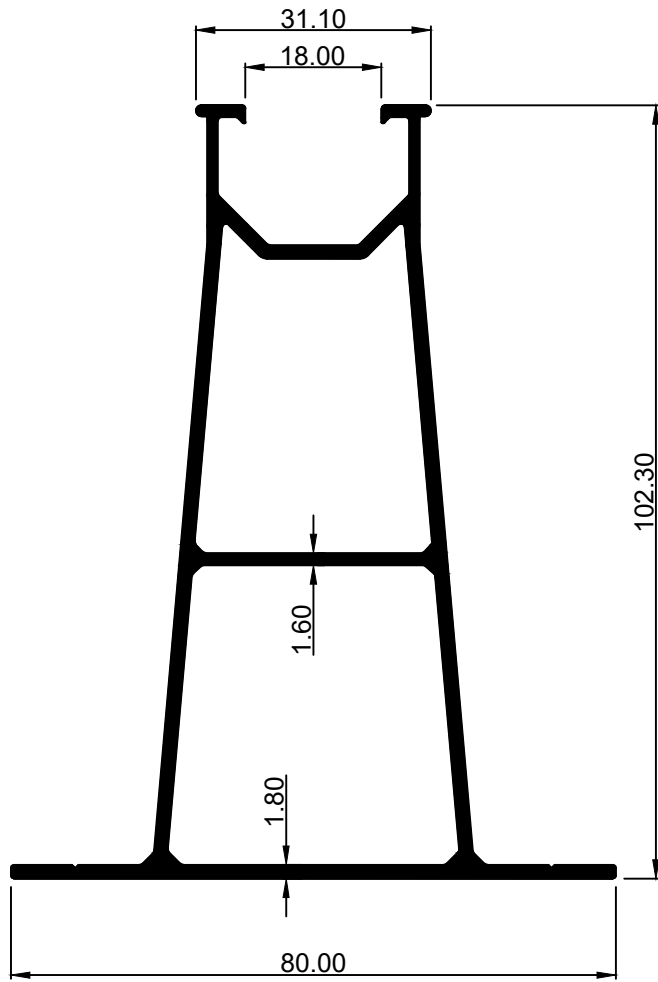
SECTION No.:- SE-390



3.322 KG/12'

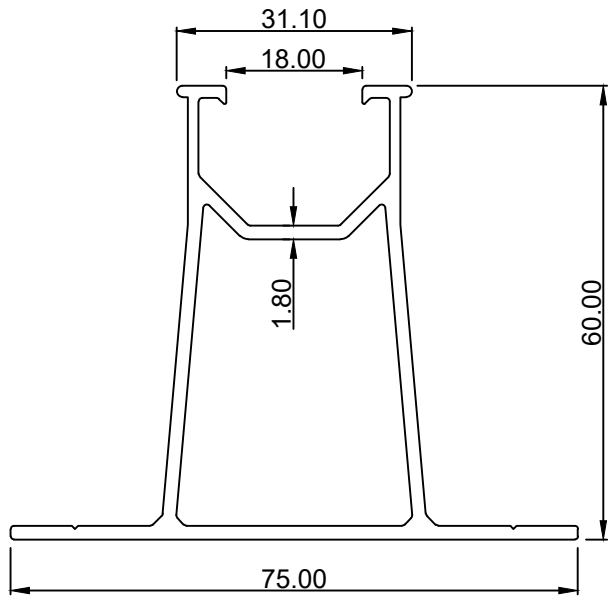
# SHREENATHJI EXTRUSION

SECTION No.: SE-386



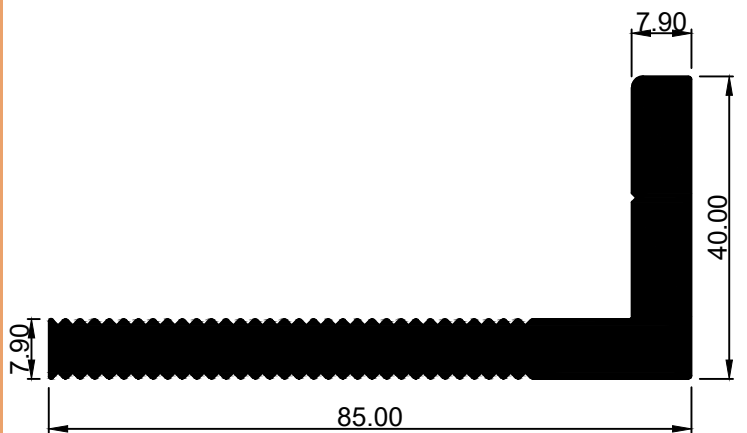
6.212 KG/12'

SECTION No.: SE-387



4.047 KG/12'

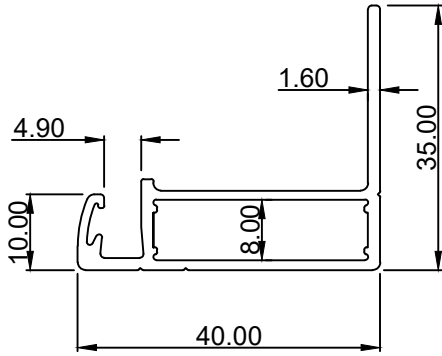
SECTION No.: SE-388



8.710 KG/12'

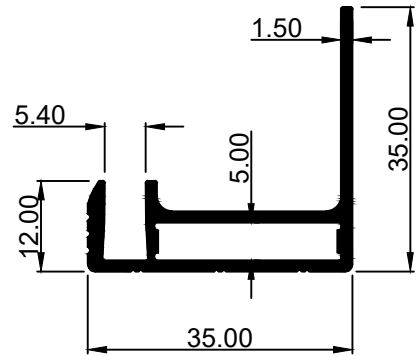
# SHREENATHJI EXTRUSION

SECTION No.:- SE-391



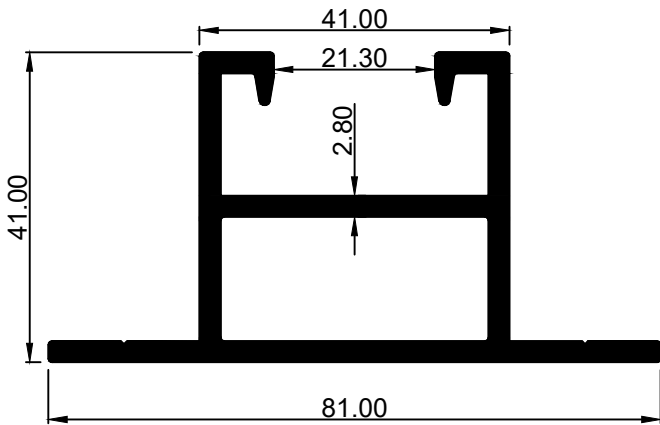
1.747 KG/12'

SECTION No.:- SE-394



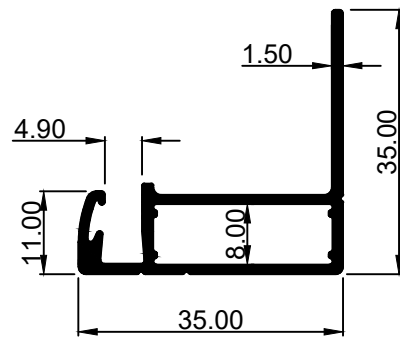
1.742 KG/12'

SECTION No.:- SE-416



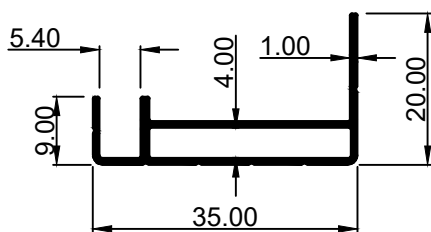
5.876 KG/12'

SECTION No.:- SE-420



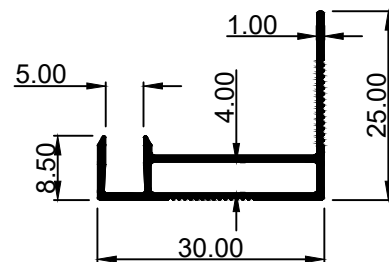
0.434 KG/Mtr.

SECTION No.:- SE-426 (MODIFIED)



0.890 KG/12'

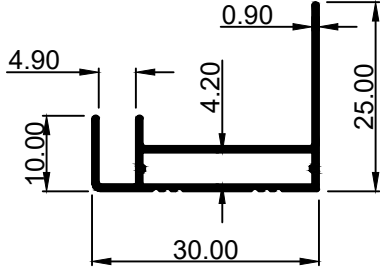
SECTION No.:- SE-431



0.866 KG/12'

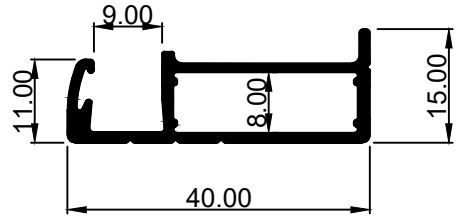
# SHREENATHJI EXTRUSION

SECTION No.:– SE-441



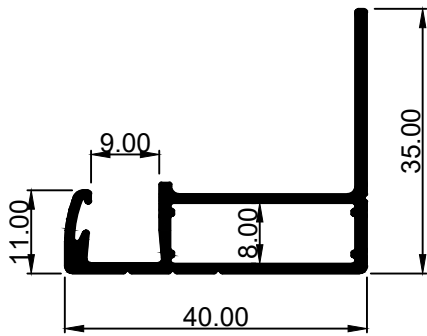
0.842 KG/12'

SECTION No.:– SE-442



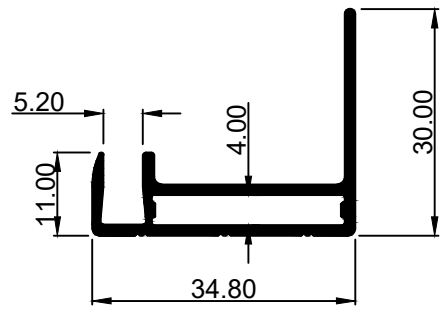
1.380 KG/12'

SECTION No.:– SE-443



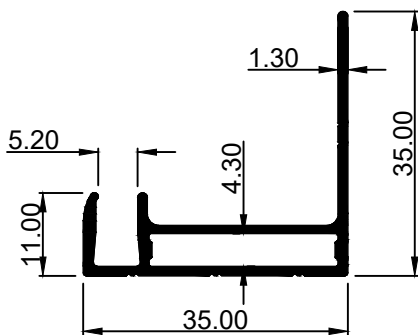
1.705 KG/12'

SECTION No.:–SE-956



0.4045 Kg/Mtr.

SECTION No.:–SE-989



1.4418 Kg/12'